

***International
Lamps Ltd***

Incorporating ***National Lamps
and Components***



**The Complete Guide
to Small Lamps**

AUTO LAMPS	Page
Auto (Discharge) D2S & D2R	103
Auto (Halogen) PG13, PG13J, P36s BPF	103 - 104
Auto 15 x 28mm Ba15d, Ba15s	113 - 114
Auto 18 x 35mm Bay15d	113
Auto 26 x 46mm Ba15s, Ba15d, Bay15d, Baz15d	111 - 113
Auto 36 x 58mm Ba15s	111
Auto British Pre - Focus	104 - 105
Auto Halogen	
H1, H2, H3, H4, H6, H7, HB3, HB4	100 - 103
Auto Wedge Base	114 - 115
Bosch	107 - 109
Bus Bulb	109 - 110
Headlamp	105 - 108
Printed Circuit	115 - 118

LAMP EXTRACTOR 144

LIGHT EMITTING DIODES - SINGLE CHIP	Page
Lilliput T5.5K DC & AC/DC	135
Lilliput T5.5 DC & AC/DC	134, 135
Midget flange 6s/8 T1 ³ / ₄ DC & AC/DC	138
Midget groove S5.7s T1 ³ / ₄ DC & AC/DC	138, 139
Telephone T6.8 DC & AC/DC	136
Type 7123 6.6 x 23.5mm Ba7s DC & AC/DC	139
Type R10 tubular Ba9s T3 ¹ / ₄ DC & AC/DC	142
Type R10 tubular E10 T3 ¹ / ₄ DC & AC/DC	143
Type R9 tubular Ba9s T2 ³ / ₄ DC & AC/DC	140
Type R9 tubular E10 T2 ³ / ₄ DC & AC/DC	141
Wedge base W2.1 x 9.5d DC & AC/DC	137
Wedge base W2 x 4.6d DC & AC/DC	136, 137

LIGHT EMITTING DIODES - MULTI CHIP	Page
Bi-pin 4 chips DC	127
Bi-pin 6 chips DC	127
E12 6 chips	133
Flashing LED red Ba9s DC	133
Lilliput T5.5 4 chips DC	124
Lilliput T5.5 6 chips DC	125
Midget flange 4 chips DC	128
Midget flange 6 chips DC	128
Midget groove 4 chips DC	128
Midget groove 6 chips DC	129
Miniature T4.5 6 chips DC	123
Pilot light (round) AC/DC	134
Pilot light (square) AC/DC	134
Short Lilliput T5.5K 4 chips DC	124
Short Lilliput T5.5K 6 chips DC	124
Slide base (PSB) T2 6 chips DC	126
Sub lilliput T4.6 4 chips DC	123
Sub lilliput T4.6 6 chips DC	123
Telephone T6.8 4 chips DC	126
Telephone T6.8 6 chips DC	126
Tower light Ba15d AC/DC	133
Type 7123 6.6 x 23.5mm Ba7s 4 chips DC	129
Type 7123 6.6 x 25mm Ba7s 6 chips DC	130
Type R10 Tubular Ba9s 8 chips AC/DC	131, 132
Type R10 Tubular E10 8 chips AC/DC	132
Type R9 Tubular Ba9s 8 chips AC/DC	130
Type R9 Tubular E10 8 chips AC/DC	131
Wedge base W2 x 4.6d 4 chips DC	126
Wedge base W2 x 4.6d 6 chips DC	127

PRODUCT INDEX

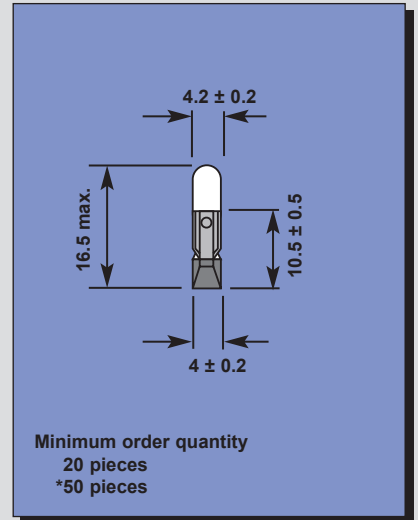
MICRO, SUB - MINIATURE & MINIATURE	Page
American slide base	7
Axial filament	7 - 8
Bi - pin	25 - 32
Festoon	8 - 14
Lilliput edison screw	41 - 44
Lilliput T4.6, T5.5k, T5.5	2 - 5
Midget base	35 - 37
Midget flange	33 - 35, 37 - 39
Midget groove	39 - 41
Miniature 2 pin	33
Miniature 4 x 16mm T4.5 & T4.6	1 - 2
Neo - wedge base	17
Telephone	5 - 6
Telewriter	61 - 62
Type K15 round 15 x 28mm Ba9s, E10	58 - 61
Type 1635 tubular 16 x 35mm E10	63 - 64
Type 1748 tubular 17 x 48mm E10	64
Type 2545 round 25 x 45mm E10	64
Type 2821 6.8 x 28mm F9	46
Type 7123 6.8 x 23mm Ba7s	47 - 48
Type K11 round 11 x 23mm E10, Ba9s	56 - 58
Type K17 round 17 x 28mm E10, Ba9s	60 - 61
Type R10 10 x 28mm Ba9s, E10 & Ba10s	51 - 56
Type R1038 tubular 10 x 38mm E10, Ba9s	62
Type R1050 tubular 10 x 50mm Ba9s, E10	63
Type R5.4 5.4 x 17mm Ba5s	44 - 45
Type R7 6.8 x 20mm Ba7s	46 - 47
Type R9 tubular 8.5 x 23mm Ba9s & E10	48 - 50
Wedge base capless	14 - 17
Wedge base bayonet	39
Wire terminal	18 - 25

NEON LAMPS	Page
GGL neon with built - in resistor	122
GL neon with built - in resistor	120
LGL neon with built - in resistor	119
Plastic neon without resistor	118 - 119
SGL neon with built - in resistor	121 - 122
VGL neon with built - in resistor	121
ZGL neon with built - in resistor	120

SMALL INDICATOR & PILOT LAMPS	PAGE
Arrow lamp	100
GK/R9, GK/K15, GK/K9 precision filament	99
Halogen E10, Ba9s	97
Lens end	94 - 95, 97 - 98
Miniature pilot 19 x 43, 19 x 49, 19 x 48mm	83
Miniature pilot 19 x 48mm E12	66
Picture lamps tubular	88 - 90
Pre focus	95 - 96
Pygmy	85 - 86
Torch & flashlight 11 x 23mm E10	94
Type 1334 tubular 13 x 34mm E12	65
Type 1648 tubular 16 x 48mm E14, Ba15d	73 - 74
Type 1654 tubular 16 x 54mm E14, Ba15d	78 - 80
Type 1844 tubular 18 x 44mm B22d	75
Type 1848 tubular 18 x 48mm B22d	75
Type 2248 22 x 48mm E14, Ba15d	75 - 76
Type 2365 tubular 23 x 65mm Ba15d, B22d	86
Type 2685 tubular 26 x 85mm B22d, B15d, E14	87
Type 4575 round 45 x 72mm	
E14, Ba15d, E27, B22d	91 - 94
Type B26 26 x 56mm E14, Ba15d	81 - 82
Type B26/1 26 x 45mm B22d	84
Type B26/2 26 x 45mm E27	84
Type G35 35 x 64mm E14, Ba15d	83
Type K18 round 18 x 35mm	
Ba15s, Ba15d, E14, E12	67 - 68
Type K19 19 x 48mm E12	66
Type K25 25 x 48mm E14, Ba15d	77 - 78
Type K3564 pear shape	
35 x 64mm Ba15d, E14	90
Type R14 tubular 13 x 30mm Ba15d, E14	68 - 70
Type R1535 tubular 15 x 35mm	
E12, E14, Ba15d	65, 70 - 72
Type R1543 tubular 15 x 43mm	
E12, E14, Ba15d	65, 72 - 73

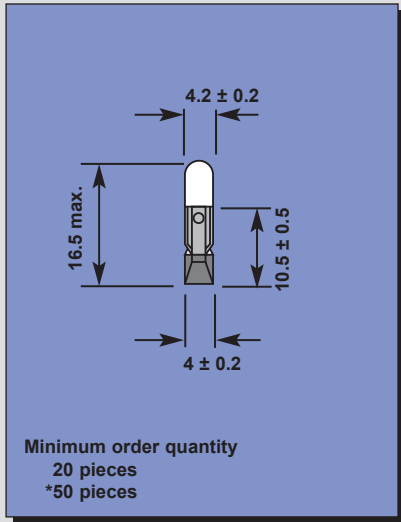
MINIATURE 4 x 16.5mm CAP. T4.5

Order Code	Volts	mA	Light Output M.S.C.P.	Average Life Hours	Fil Form
*5135/05	1.3	30	.005	1,000	S2
*5631/05	1.35	60	.010	2,500	C6
*5153/05	1.5	150	.025	7,500	C2R
*5025/05	2.5	120	.022	10,000	C2R
*5655/05	2.5	400	.55	800	C2R
*5276/05	2.7	60	.040	5,000	C2R
*5330/05	3	30	.020	4,000	C6
*5921/05	3	40	.030	4,000	C6
*5008/05	3	100	.15	1,500	C6
*5324/05	3	190	.25	3,000	C2R
*5450/05	4	50	.020	20,000	C6
*5410/05	4	100	.10	20,000	C2R
*5430/05	4	300	.10	80,000	C2R
*5455/05	4.5	25	.014	10,000	C6
*5520/05	5	20	.003	20,000	C6
*5530/05	5	20	.015	4,000	C6
*5926/05	5	30	.030	5,000	C6
*5580/05	5	60	.030	100,000	C2R
*5583/05	5	60	.050	100,000	C2R
*5009/05	5	60	.160	800	C2R
*5933/05	5	75	.09	40,000	C2R
4516/5/80	5	80	.10	8,000	C2V
*5515/05	5	115	.15	40,000	C2R
*4516/5/120	5	120	.20	6,000	C2R
4516/6/20	6	20	.015	8,000	C6
*5635/05	6	35	.012	25,000	CC6
*5866/05	6	40	.03	15,000	C2R
4516/6/50	6	50	.06	8,000	C2V
*5661/05	6	60	.05	50,000	C2R
*5114/05	6	60	.12	8,000	C2R
*5932/05	6	70	.065	40,000	C2R
*5680/05	6	80	.070	35,000	C2R
4516/6/100	6	100	.10	8,000	C2F
4516/6/200	6	200	.36	6,000	C2V
*5644/05	6.3	40	.03	15,000	C2R
*5610/05	6.3	200	.55	5,000	C2R
*5608/05	10	15	.003	30,000	C2F
*5102/05	10	20	.003	40,000	C2F
*5040/05	10	40	.08	7,500	C2F
*5110/05	10	100	.20	35,000	C2F
*5122/05	12	20	.007	20,000	C2F
*4516/12/20	12	20	.024	8,000	C2F
*5131/05	12	30	.02	7,500	C2F
*5136/05	12	30	.05	7,500	C2F
*5111/05	12	30	.10	2,000	CC6
5235/05	12	35	.05	10,000	C2F
4516/12/40	12	40	.08	6,000	C2F
*5150/05	12	50	.05	25,000	C2F
*5402/05	12	50	.12	10,000	C2F
*5267/05	12	60	.15	20,000	C2F
*5120/05	12	80	.20	25,000	C2F
*5938/05	12	100	.29	30,000	C2F
*4516/12/100	12	100	.28	5,000	C2F
*5012/05	13.5	30	.06	6,000	CC2F
*5145/05	14	40	.10	8,000	C2F
*5194/05	14	50	.05	30,000	C2F
*5167/05	14	65	.16	15,000	C2F
*5101/05	14	75	.25	15,000	C2F
*5148/05	14	80	.20	30,000	C2F
*5640/05	14	80	.50	2,000	C2F



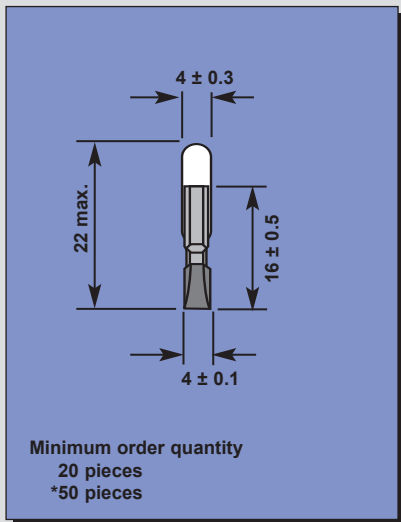
MICRO, SUB-MINIATURE & MINIATURE

MINIATURE 4 x 16.5mm CAP. T4.5



Order Code	Volts	mA	Light Output M.S.C.P.	Average Life Hours	Fil Form
*5163/05	16	30	.034	12,000	C2F
*5187/05	16	40	.10	10,000	C2F
*5160/05	16	50	.20	8,000	C2F
4516/16/60	16	60	.185	8,000	C2F
4516/18/25	18	25	.065	8,000	C2F
*5174/05	18	40	.15	7,000	C2F
*5191/05	19	40	.10	12,000	C2F
*5159/05	19	40	.25	3,000	C2F
*5181/05	19	50	.25	6,000	C2F
*5202/05	20	20	.05	5,000	CC2F
4516/24/20	24	20	.05	8,000	C2F
*5233/05	24	35	.10	10,000	CC2F
*5243/05	24	35	.15	7,000	C2F
*5244/05	24	40	.15	10,000	C2F
*5253/05	24	50	.18	10,000	C2F
4516/24/50	24	50	.24	6,000	C2F
*5930/05	28	24	.15	6,000	C2F
*5282/05	28	25	.08	7,500	CC2F
*5016/05	28	35	.10	18,000	CC2F
*5627/05	28	40	.34	5,000	C2F
4516/30/20	30	20	.08	7,000	C2F
4516/30/40	30	40	.24	6,000	C2F
4516/36/20	36	20	.10	6,000	CC2F
4516/36/35	36	35	.22	6,000	CC2F
4516/48/20	48	20	.13	5,000	CC2F
*5482/05	48	25	.20	4,000	CC2F
4516/60/15	60	15	.10	5,000	CC2F
4516/60/20	60	20	.16	2,000	CC2F
4516/65	65	50		15,000	Neon
4516/110	110	50		10,000	Neon
4516/220	220	50		10,000	Neon

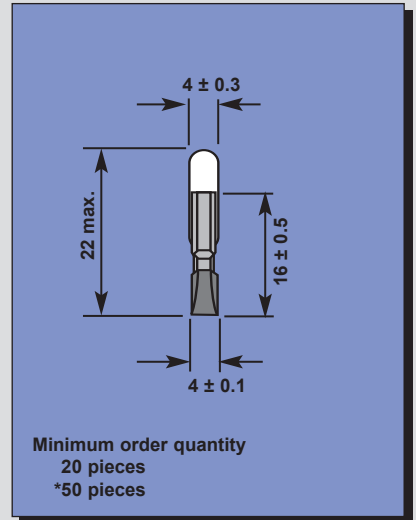
SUB LILLIPUT 4 x 22mm CAP. T4.6



Order Code	Volts	mA	Light Output M.S.C.P.	Average Life Hours	Fil Form
*5135/07	1.3	30	.005	1,000	S2
*5631/07	1.35	60	.010	2,500	C6
*5153/07	1.5	150	.025	7,500	C2R
*5025/07	2.5	120	.022	10,000	C2R
*5655/07	2.5	400	.55	800	C2R
*5276/07	2.7	60	.04	5,000	C2R
*5330/07	3	30	.02	4,000	C6
*5921/07	3	40	.03	4,000	C6
*5008/07	3	100	.15	1,500	C6
*5324/07	3	190	.25	3,000	C2R
*5450/07	4	50	.02	20,000	C6
*5410/07	4	100	.10	20,000	C2R
*5430/07	4	300	.10	80,000	C2R
*5455/07	4.5	25	.014	10,000	C6
*5520/07	5	20	.003	20,000	C6
*5530/07	5	20	.015	4,000	C6
*5926/07	5	30	.03	5,000	C6
*5580/07	5	60	.03	100,000	C2R
*5583/07	5	60	.05	100,000	C2R
*5009/07	5	60	.16	800	C2R
*5933/07	5	75	.09	40,000	C2R
4622/5/80	5	80	.10	8,000	C2V
*5515/07	5	115	.15	40,000	C2R
*5929/07	5	120	.20	10,000	C2R
4622/6/20	6	20	.015	8,000	C6
*5619/07	6	30	.018	15,000	C6
*5630/07	6	30	.06	1,500	C6
*5635/07	6	35	.012	25,000	CC6
*5866/07	6	40	.03	15,000	C2R

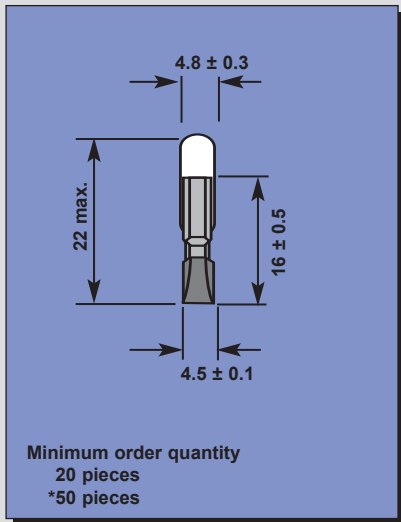
SUB-LILLIPUT 4 x 22mm CAP. T4.6

Order Code	Volts	mA	Light Output M.S.C.P.	Average Life Hours	Fil Form
4622/6/50	6	50	.06	8,000	C2V
*5661/07	6	60	.05	50,000	C2R
*5114/07	6	60	.12	8,000	C2R
*5932/07	6	70	.065	40,000	C2R
4622/6/100	6	100	.10	8,000	C2V
4622/6/200	6	200	.36	8,000	C2V
*5644/07	6.3	40	.03	15,000	C2R
*5610/07	6.3	200	.55	5,000	C2R
*5608/07	10	15	.003	30,000	C2F
*5102/07	10	20	.003	40,000	C2F
*5040/07	10	40	.08	7,500	C2F
*5110/07	10	100	.20	35,000	C2F
*5122/07	12	20	.007	20,000	C2F
4622/12/20	12	20	.024	8,000	C2F
*5131/07	12	30	.02	7,500	C2F
*5111/07	12	30	.10	2,000	CC6
*5235/07	12	35	.05	10,000	C2F
4622/12/40	12	40	.08	6,000	C2F
*5150/07	12	50	.05	25,000	C2F
*5402/07	12	50	.12	10,000	C2F
*5267/07	12	60	.15	20,000	C2F
*5120/07	12	80	.20	25,000	C2F
*5938/07	12	100	.29	30,000	C2F
4622/12/100	12	100	.28	5,000	C2F
*5012/07	13.5	30	.06	6,000	CC2F
*5145/07	14	40	.10	8,000	C2F
*5194/07	14	50	.05	30,000	C2F
*5167/07	14	65	.16	15,000	C2F
*5101/07	14	75	.25	15,000	C2F
*5148/07	14	80	.20	30,000	C2F
*5640/07	14	80	.50	2,000	C2F
*5163/07	16	30	.034	12,000	C2F
*5187/07	16	40	.10	10,000	C2F
*5160/07	16	50	.20	8,000	C2F
4622/16/60	16	60	.185	8,000	C2F
4622/18/25	18	25	.065	8,000	C2F
*5174/07	18	40	.15	7,000	C2F
*5191/07	19	40	.10	12,000	C2F
*5181/07	19	50	.25	6,000	C2F
*5202/07	20	20	.05	5,000	CC2F
4622/24/20	24	20	.05	8,000	C2F
*5233/07	24	35	.10	10,000	CC2F
*5244/07	24	40	.15	10,000	C2F
*5253/07	24	50	.18	10,000	C2F
4622/24/50	24	50	.24	6,000	C2F
*5930/07	28	24	.15	6,000	C2F
*5282/07	28	25	.08	7,500	CC2F
*5016/07	28	35	.10	18,000	CC2F
*5627/07	28	40	.34	5,000	C2F
4622/30/20	30	20	.08	7,000	C2F
4622/30/40	30	40	.24	6,000	C2F
4622/36/20	36	20	.10	6,000	CC2F
4622/36/35	36	35	.22	6,000	CC2F
4622/48/20	48	20	.13	5,000	CC2F
*5482/07	48	25	.20	4,000	CC2F
4622/60/15	60	15	.10	5,000	CC2F
4622/60/20	60	20	.16	2,000	CC2F
4622/60	65	50		15,000	Neon
4622/110	110	50		10,000	Neon
4622/220	220	50		10,000	Neon



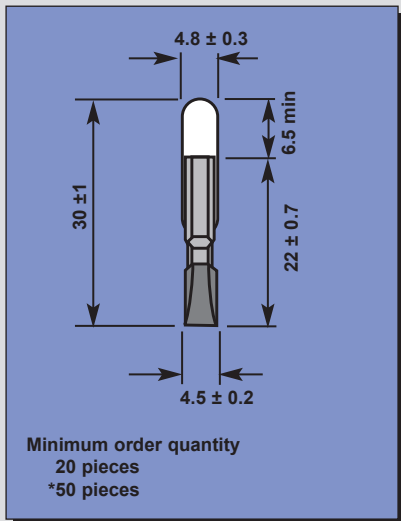
MICRO, SUB-MINIATURE & MINIATURE

SHORT LILLIPUT 5 x 22mm CAP. T5.5K



Order Code	Volts	mA	Light Output M.S.C.P.	Average Life Hours	Fil Form
5522/6/20	6	20	.013	8,000	C6
5522/6/40	6	40	.04	8,000	C6
5522/6/50	6	50	.05	8,000	C2V
5522/6/100	6	100	.17	6,000	CC6
5522/6/160	6	160	.17	8,000	C2F
5522/6/200	6	200	.47	6,000	C2R
5522/12/20	12	20	.03	6,000	CC6
5522/12/40	12	40	.10	6,000	C2F
5522/12/50	12	50	.12	6,000	C2F
5522/12/100	12	100	.28	5,000	C2F
*5522/16/60	16	60	.18	8,000	C2F
5522/18/25	18	25	.06	6,000	C2F
5522/24/20	24	20	.05	8,000	C-2F
5522/24/40	24	40	.20	6,000	C-2F
5522/24/50	24	50	.27	6,000	C-2F
*5522/28/50	28	50	.32	6,000	C2F
5522/30/20	30	20	.08	7,000	C2F
5522/30/40	30	40	.28	6,000	C2F
5522/30/50	30	50	.35	5,000	CC2F
5522/36/20	36	20	.10	6,000	CC2F
5522/36/50	36	50	.46	5,000	CC2F
5522/48/20	48	20	.13	6,000	CC2F
5522/60/20	60	20	.16	6,000	CC2F
*5522/110	110	1.5		10,000	Neon
*5522/220	220	1.5		10,000	Neon

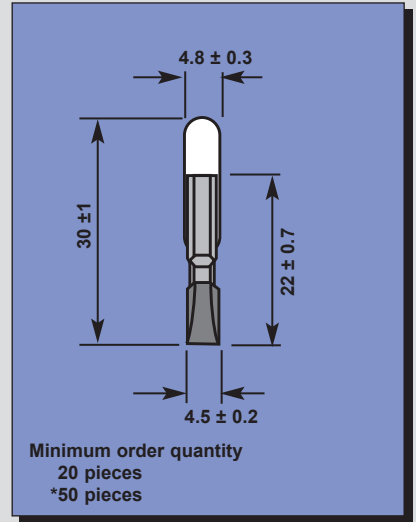
LILLIPUT 5 x 30mm CAP. T5.5



Order Code	Volts	mA	Light Output M.S.C.P.	Average Life Hours	Fil Form
5530/6/20	6	20	.013	8,000	C6
5530/6/40	6	40	.04	8,000	C6
5530/6/50	6	50	.05	8,000	C2V
5530/6/80	6	80	.14	6,000	CC6
5530/6/100	6	100	.17	6,000	CC6
5530/6/200	6	200	.47	6,000	C2R
5530/12/20	12	20	.03	6,000	CC6
5530/12/40	12	40	.06	6,000	C2F
5530/12/50	12	50	.12	6,000	C2F
5530/12/100	12	100	.32	5,000	C2F
*5530/14/20	14	20	.03	6,000	C2F
*5530/16/50	16	50	.16	6,000	C2F
5530/18/25	18	25	.06	6,000	C2F
5530/24/20	24	20	.06	8,000	C2F
5530/24/25	24	25	.10	6,000	C2F
5530/24/30	24	30	.11	6,000	C2F
5530/24/40	24	40	.21	6,000	C2F
5530/24/50	24	50	.27	6,000	C2F
5530/24/60	24	60	.32	6,000	C2F
5530/24/80	24	80	.60	6,000	C2F
5530/28/20	28	20	.07	6,000	C2F
5530/28/40	28	40	.26	6,000	C2F
5530/28/50	28	50	.32	6,000	C2F

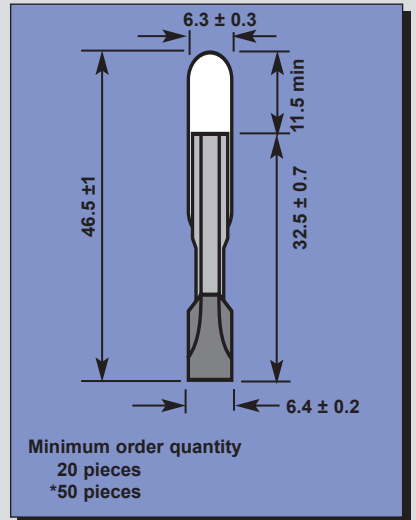
LILLIPUT 5 x 30mm CAP. T5.5

Order Code	Volts	mA	Light Output M.S.C.P.	Average Life Hours	Fil Form
5530/30/20	30	20	.08	7,000	C2F
5530/30/30	30	30	.15	6,000	C2F
5530/30/40	30	40	.28	6,000	C2F
5530/30/50	30	50	.35	5,000	CC2F
5530/36/20	36	20	.10	6,000	CC2F
5530/36/35	36	35	.25	5,000	CC2F
5530/36/40	36	40	.36	5,000	CC2F
5530/36/50	36	50	.46	5,000	CC2F
5530/48/20	48	20	.14	6,000	CC2F
5530/48/25	48	25	.20	6,000	CC2F
5530/48/30	48	30	.27	6,000	CC2F
5530/48/40	48	40	.43	6,000	CC2F
5530/48/50	48	50	.55	5,000	CC2F
5530/60/20	60	20	.16	5,000	CC2F
5530/60/30	60	30	.33	5,000	CC2F
5530/70/20	70	20	.19	5,000	CC2F
5530/80/20	80	20	.22	5,000	CC2F
5530/110	110	1.5		15,000	Neon
*5530/110F	110	1.5	Green	10,000	Neon
5530/220	220	1.5		15,000	Neon
*5530/220F	220	1.5	Green	10,000	Neon

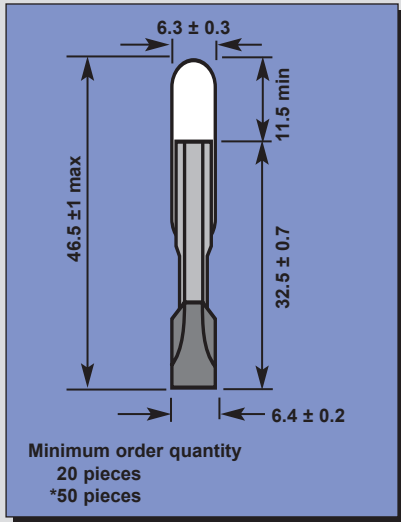


STANDARD TELEPHONE GERMAN TYPE 6 x 44mm CAP. T6.8

Order Code	Volts	mA	Light Output M.S.C.P.	Average Life Hours	Fil Form
*6844/4/40	4	40	.03	8,000	C6
*6844/4/200	4	200	.32	5,000	C6
6844/6/20	6	20	.013	8,000	C6
6844/6/40	6	40	.04	8,000	C6
6844/6/50	6	50	.05	8,000	C6
6844/6/80	6	80	.14	6,000	CC6
6844/6/100	6	100	.19	6,000	CC6
6844/6/200	6	200	.47	5,000	C6
*6844/7/40	7	40	.03	8,000	C6
*6844/8/150	8	150	.52	6,000	CC6
6844/12/20	12	20	.03	6,000	CC6
6844/12/40	12	40	.13	5,000	CC6
6844/12/50	12	50	.16	5,000	CC6
6844/12/80	12	80	.32	5,000	CC6
6844/12/100	12	100	.44	5,000	CC6
6844/12/120	12	120	.60	5,000	CC6
*6844/18/25	18	25	.08	6,000	CC6
*6844/18/40	18	40	.19	5,000	CC6
*6844/18/100	18	100	.63	5,000	CC6
6844/24/20	24	20	.05	8,000	C2F
6844/24/25	24	25	.09	8,000	C2F
6844/24/40	24	40	.21	6,000	C2F
6844/24/50	24	50	.28	6,000	C2F
6844/24/60	24	60	.32	6,000	C2F
6844/24/80	24	80	.63	6,000	C2F
6844/24/100	24	100	.80	5,000	C2F
6644/28/45	28	45	.28	6,000	C2F

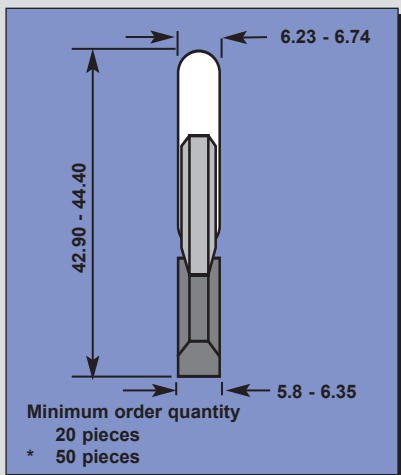


STANDARD TELEPHONE GERMAN TYPE 6 x 44mm CAP T 6.8



Order Code	Volts	mA	Light Output M.S.C.P.	Average Life Hours	Fil Form
6844/30/20	30	20	.06	8,000	C2F
6844/30/25	30	25	.11	8,000	C2F
6844/30/40	30	40	.30	6,000	C2F
6844/30/50	30	50	.35	6,000	C2F
6844/30/80	30	80	.80	6,000	C2F
6844/30/100	30	100	.99	5,000	C2F
6844/36/20	36	20	.11	6,000	CC2F
6844/36/35	36	35	.25	5,000	CC2F
6844/36/40	36	40	.37	5,000	CC2F
6844/36/50	36	50	.47	5,000	CC2F
6844/36/100	36	100	1.19	5,000	CC2F
6844/48/20	48	20	.14	6,000	CC2F
6844/48/25	48	25	.21	5,000	CC2F
6844/48/40	48	40	.47	5,000	CC2F
6844/48/50	48	50	.63	5,000	CC2F
6844/50/20	50	20	.15	5,000	CC2F
6844/50/50	50	50	.65	5,000	CC2F
6844/60/20	60	20	.17	6,000	CC2F
6844/60/35	60	35	.47	5,000	CC2F
6844/60/40	60	40	.63	5,000	CC2F
6844/60/50	60	50	.79	5,000	CC2F
6844/65	65	30		15,000	Neon
6844/60/60	60	60	.95	5,000	CC2F
6844/70/20	70	20	.20	5,000	CC2F
*6844/70/25	70	25	.31	5,000	CC2F
*6844/70/30	70	30	.44	5,000	CC2F
*6844/70/40	70	40	.74	5,000	CC2F
*6844/80/20	80	20	.23	5,000	CC2F
6844/80/40	80	40	.85	5,000	CC2F
*6844/90/20	90	20	.18	5,000	CC2F
*6844/110	110	1.50		15,000	Neon
*6844/110F	110	1.50	Green	10,000	Neon
*6844/220	220	1.50		15,000	Neon
*6844/220F	220	1.50	Green	10,000	Neon
6844/380	380	1.50		10,000	Neon

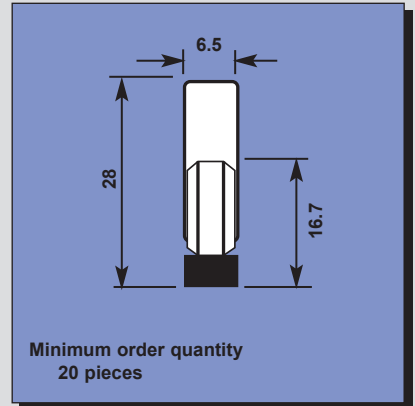
STANDARD TELEPHONE BRITISH TYPE BPO No.2 6 x 44mm CAP. T7



Order Code	Volts	mA	Light Output M.S.C.P.	Colour	Average Life Hours	Fil Form
No.2 4V	4	250	.29	Green	1,000	C6
7044/6/41	6	41	.06	Grey	8,000	C6
*6A1	6	41	.03	Black/White	1,000	C6
7044/12/20	12	20	.05	Black/Red	5,000	CC6
*12HE100	12	100	.24	Red	1,000	C2F
No.2 12V	12	100	.08	Red/Yellow	1,000	C2F
7044/17/45	17	45	.18	Orange	6,000	C2F
24V55	24	55	.28	Yellow/Black	1,000	C2F
24A5	24	57	.68		750	C2F
7044/24/100	24	100	.48	Yellow	6,000	C2F
7044/45/35	45	35	.24	Blue/White	6,000	CC2F
50A1	50	55	.91	White	1,000	CC2F
No.2 50V (Obsolete)	50	107	.52	White	300	Carbon
60A1	60	60	1.19	Black	1,000	CC2F

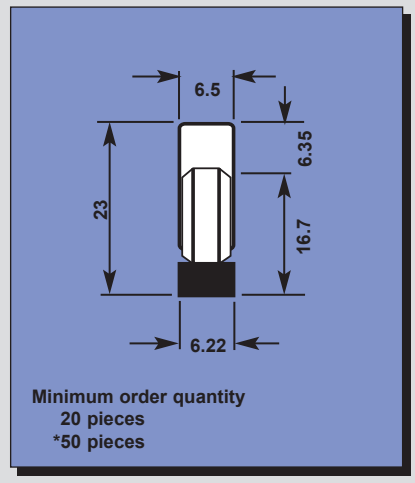
AMERICAN TYPE SLIDE BASE PSB 6.5 x 28mm CAP. T2

Order Code	Volts	mA	Light Output M.S.C.P.	Average Life Hours	Fil Form
6PSB	6	140	.12	5,000	C9
12PSB	12	170	.48	5,000	C9
24PSB	24	73	.85	5,000	C9
28PSB	28	40	.17	5,000	C9
48PSB	48	53	.52	5,000	C7A
60PSB	60	50	.67	5,000	C7A
120PSB	120	25	.36	5,000	C7A
155PSB	155	25	.35	5,000	CC7A



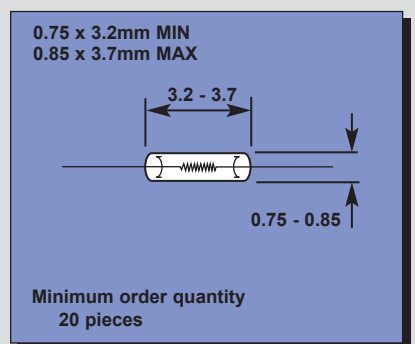
AMERICAN TYPE SLIDE BASE ESB 6.5 x 23mm CAP. T2

Order Code	Volts	mA	Light Output M.S.C.P.	Average Life Hours	Fil Form
*4ESB	4	40	.02	5,000	C6
*5ESB	5	40	.04	5,000	C2V
6ESB	6	40	.03	5,000	C2V
*10ESB	10	40	.05	5,000	C2V
12ESB	12	40	.06	5,000	C2V
*16ESB	16	40	.10	5,000	C9
18ESB	18	40	.11	5,000	C9
24ESB	24	40	.12	5,000	C9
28ESB	28	40	.24	5,000	C9
48ESB	48	40	.16	5,000	CC9



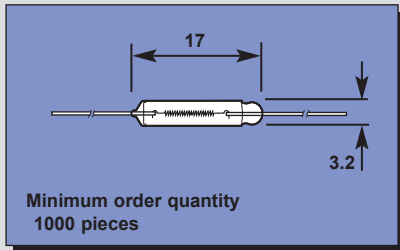
MICRO AXIAL FILAMENT LAMP

Order Code	Volts	mA	Light Output M.S.C.P.	Average Life Hours	Fil Form
9035/00	1.5	12.5	.003	200	C8
9051/00	1.5	12.5	.004	100	C8
9044/00	3	6.5	.002	50	C8



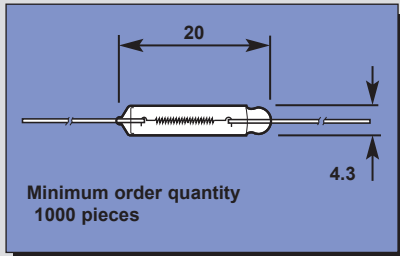
MICRO, SUB-MINIATURE & MINIATURE

T-1 AXIAL FILAMENT LAMP 3.2 x 17mm



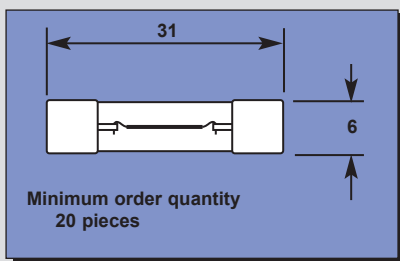
Order Code	Volts	mA	Light Output M.S.C.P.	Average Life Hours	Fil Form
3010AL	3.5	100	.08	5,000	C8
3040AL	6.3	70	.12	5,000	C8
3050AL	6.3	100	.16	5,000	C8
3070AL	9	60	.16	5,000	C8
1258AL	12	60	.16	5,000	C8

T-1 1/4" MICRO AXIAL FILAMENT LAMP 4.3 x 20mm



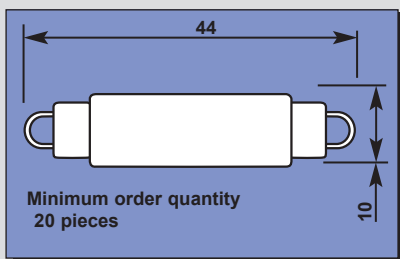
Order Code	Volts	mA	Light Output M.S.C.P.	Average Life Hours	Fil Form
4030AL	6.3	70	.12	10,000	C8
4040AL	6.3	100	.10	10,000	C8
4060AL	8	100	.16	10,000	C8
4110AL	12	100	.34	5,000	C8

FESTOON LAMP FUSE TYPE SF6 6x31mm CAP SF6



Order Code	Volts	mA	Watts	Life	Fil Form
SF631/6/.1	6	100	.6	1,000	C6
SF631/6/.15	6	150	.9	1,000	C6
SF631/6/.2	6	200	1.2	1,000	C6
SF631/63/.1	6.3	100	.63	1,000	C6
SF631/63/.25	6.3	250	1.58	1,000	C6
SF631/63/.3	6.3	300	1.89	1,000	C6
SF631/8/.15	8	150	1.2	1,000	C6
SF631/8/.25	8	250	2.0	1,000	C6
SF631/8/.3	8	300	2.4	1,000	C6
SF631/12/.1	12	100	1.2	1,000	C6
SF631/12/.15	12	150	1.8	1,000	C6
SF631/12/.3	12	300	3.6	1,000	C6

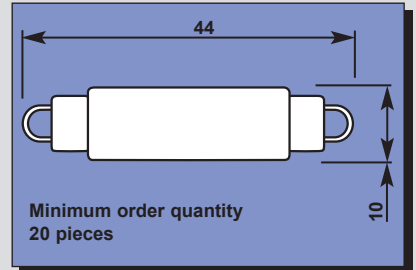
FESTOON LAMP RIGID LOOP XENON GAS FILLED CLEAR 10x44mm



Order Code	Volts	mA	Watts	Life	Fil Form
SXRL4412005	12	415	5	20,000	C6
SXRL44120085	12	710	8.5	20,000	C6
SXRL4412010	12	830	10	20,000	C6
SXRL4424005	24	210	5	20,000	C6
SXRL44240085	24	350	8.5	20,000	C6
SXRL4424010	24	410	10	20,000	C6
SXRL44260085	26	330	8.5	20,000	C6
SXRL4426010	26	380	10	20,000	C6

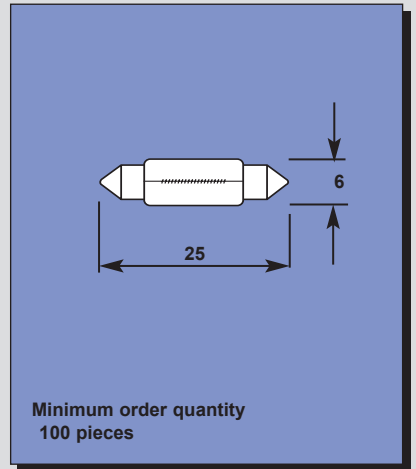
FESTOON LAMP RIGID LOOP XENON GAS FILLED FROSTED 10x44mm

Order Code	Volts	mA	Watts	Average Life Hours	Fil Form
SXRL4412005F	12	415	5	20,000	C6
SXRL4412010F	12	830	10	20,000	C6
SXRL4424005F	24	210	5	20,000	C6
SXRL44240085F	24	350	8.5	20,000	C6
SXRL4424010F	24	410	10	20,000	C6
SXRL44260085F	26	330	8.5	20,000	C6



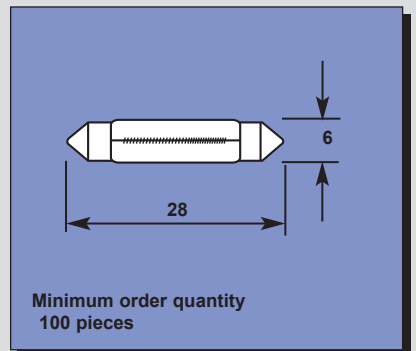
FESTOON LAMP 6x25mm CAP S5.5

Order Code	Volts	mA	Watts	Life	Fil Form
S625/6/.05	6	50	.3	1,000	C6
S625/6/.1	6	100	.6	1,000	C6
S625/6/1	6	165	1	1,000	C6
S625/6/2	6	330	2	1,000	C6
S625/6/3	6	500	3	1,000	C6
S625/9/50	9	50	.45	1,000	C6
S625/9/.18	9	180	1.62	1,000	C6
S625/12/1.2	12	100	1.2	1,000	C6
S625/12/2	12	170	2	1,000	C6
S625/12/3	12	250	3	1,000	C6
S625/24/1.2	24	50	1.2	1,000	C6
S625/24/3	24	125	3	1,000	C6
S625/26/1	26	38	1	1,000	C6
S625/26/.11	26	110	2.86	1,000	C6
S625/28/2	28	70	2	1,000	C6
S625/28/3	28	107	3	1,000	C6
S625/30/50	30	50	1.5	1,000	C6
S625/36/.04	36	40	1.44	1,000	C6
S625/36/1	36	28	1	1,000	C6
S625/48/.05	48	50	2.40	1,000	C6
S625/48/1.2	48	25	1.2	1,000	C6



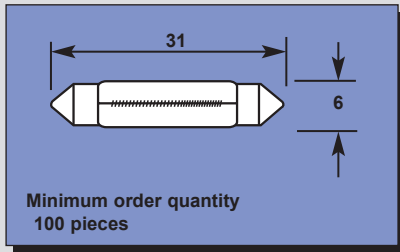
FESTOON LAMP 6x28mm CAP S5.5

Order Code	Volts	mA	Watts	Life	Fil Form
S628/6/1.2	6	200	1.2	1,000	C6
S628/6/3	6	500	3	1,000	C6
S628/12/1	12	100	1.2	1,000	C6
S628/12/3	12	250	3	1,000	C6
S628/24/3	24	125	3	1,000	C6
S628/26/1	26	38	1	1,000	C6
S628/26/.11	26	110	2.86	1,000	C6
S628/36/3	36	83	3	1,000	C6
S628/48/50	48	50	2.40	1,000	C6
S628/50/50	50	50	2.5	1,000	1xAnchor



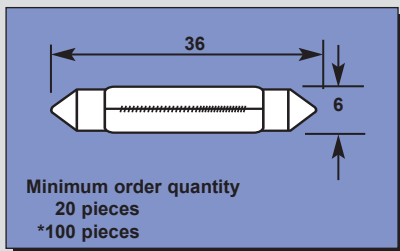
MICRO, SUB-MINIATURE & MINIATURE

FESTOON LAMP 6x31mm CAP. S5.5



Order Code	Volts	mA	Watts	Average Life Hours	Fil Form
S631/6/.05	6	50	.30	1,000	C6
S631/6/1	6	166	1.00	1,000	C6
S631/6/1.5	6	250	1.5	1,000	C6
S631/6/3	6	500	3.00	1,000	C6
S631/6/3/.15	6.3	150	.95	1,000	C6
S631/6/3/.25	6.3	250	1.58	1,000	C6
S631/6/3/.3	6.3	300	1.89	1,000	C6
S631/8/.15	8	150	1.20	1,000	C6
S631/8/.25	8	250	2.00	1,000	C6
S631/8/.3	8	300	2.40	1,000	C6
S631/12/1.2	12	100	1.20	1,000	C6
S631/12/1.5	12	150	1.80	1,000	C6
S631/12/2	12	166	2.00	1,000	C6
S631/12/3	12	250	3.00	1,000	C6
S631/12/3	12	300	3.60	1,000	C6
S631/24/1.2	24	50	1.2	1,000	C6
S631/24/1.5	24	62	1.50	1,000	C6
S631/24/2	24	80	2.00	1,000	C6
S631/24/3	24	125	3.00	1,000	C6
S631/26/1	26	38	1.00	1,000	C6
S631/26/1.1	26	110	2.86	1,000	C6
S631/30/1.5	30	50	1.50	1,000	C6
S631/36/3	36	83	3.00	1,000	C6
S631/48/.05	48	50	2.40	1,000	C6
S631/48/60	48	60	3.00	1,000	C6

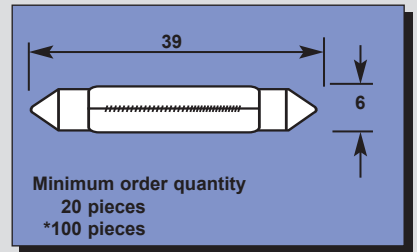
FESTOON LAMP 6x36mm CAP. S5.5



Order Code	Volts	mA	Watts	Average Life Hours	Fil Form
*S636/6/.05	6	50	.3	1,000	C6
*S636/6/3	6	500	3.00	1,000	C6
*S636/12/1.2	12	100	1.20	1,000	C6
S636/12/3	12	250	3.00	1,000	C6
S636/24/1.2	24	50	1.2	1,000	C6
S636/24/2	24	80	2.00	1,000	C6
S636/24/3	24	125	3.00	1,000	C6
*S636/26/1	26	38	1.00	1,000	C6
*S636/26/1.1	26	110	2.86	1,000	C6
S636/28/2	28	72	2.00	1,000	C6
S636/28/3	28	107	3.00	1,000	C6
*S636/36/3	36	83	3.00	1,000	C6
S636/48/.06	48	60	2.88	1,000	C6+Anchor
S636/60/50	60	50	3.00	1,000	C6+Anchor

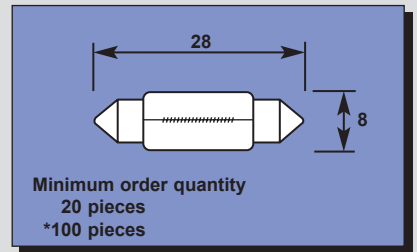
FESTOON LAMP 6x39mm CAP. S5.5

Order Code	Volts	mA	Watts	Average Life Hours	Fil Form
S639/6/3	6	500	3.00	1,000	C6
S639/12/1.2	12	100	1.2	1,000	C6
S639/12/3	12	250	3.00	1,000	C6
S639/24/1.2	24	50	1.2	1,000	C6
S639/24/2	24	80	2.00	1,000	C6
S639/24/3	24	125	3.00	1,000	C6
S639/28/2	28	70	2.00	1,000	C6
S639/36/3	36	83	3.00	1,000	C6
S639/48/3	48	60	3.00	1,000	C6+Anchor
S639/60/3	60	50	3.00	1,000	C6+Anchor



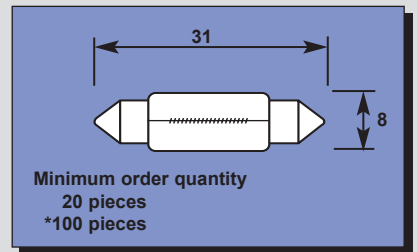
FESTOON LAMP 8x28mm CAP. S7

Order Code	Volts	mA	Watts	Average Life Hours	Fil Form
S828/6/3	6	500	3.00	1,000	C6
S828/12/2	12	170	2.00	1,000	C6
S828/12/3	12	250	3.00	1,000	C6
S828/12/5	12	416	5.00	1,000	C6
S828/24/3	24	125	3.00	1,000	C6
S828/24/5	24	210	5.00	1,000	C6



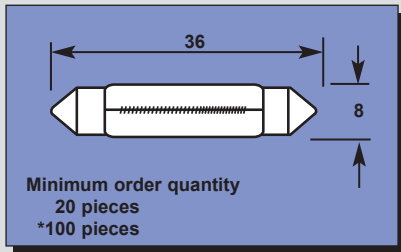
FESTOON LAMP 8x31mm CAP. S7

Order Code	Volts	mA	Watts	Average Life Hours	Fil Form
S831/6/3	6	500	3.00	1,000	C6
S831/6/5	6	833	5.00	1,000	C6
S831/12/3	12	250	3.00	1,000	C6
*S831/12/5	12	416	5.00	1,000	C6
*S831/24/0.5	24	50	1.20	1,000	C6
*S831/24/1.5	24	60	1.50	1,000	C6
S831/24/2	24	80	2.00	1,000	C6
S831/24/3	24	125	3.00	1,000	C6
*S831/24/5	24	208	5.00	1,000	C6
*S831/30/3	30	100	3.00	1,000	C6
S831/30/5	30	166	5.00	1,000	C6
S831/36/3	36	80	3.00	1,000	C6
*S831/48/3	48	62	3.00	1,000	C6
S831/48/5	48	105	5.00	1,000	C6
*S831/60/2	60	33	2.00	1,000	C6
*S831/60/3	60	50	3.00	1,000	C6
S831/60/5	60	85	5.00	1,000	C6



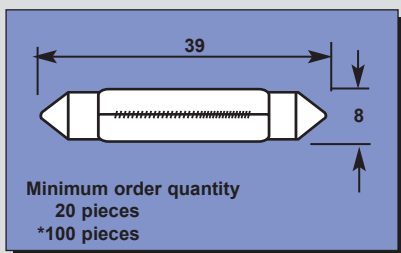
MICRO, SUB-MINIATURE & MINIATURE

FESTOON LAMP 8x36mm CAP. S7



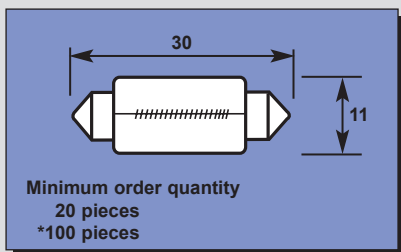
Order Code	Volts	mA	Watts	Average Life Hours	Fil Form
*S836/6/3	6	500	3.00	1,000	C6
S836/6/5	6	835	5.00	1,000	C6
S836/12/3	12	250	3.00	1,000	C6
*S836/12/5	12	416	5.00	1,000	C6
*S836/24.05	24	50	1.20	1,000	C6
*S836/24/2	24	83	2.00	1,000	C6
S836/24/3	24	125	3.00	1,000	C6
*S836/24/5	24	208	5.00	1,000	C6
*S836/30/3	30	100	3.00	1,000	C6
*S836/30/5	30	166	5.00	1,000	C6
*S836/48/5	48	62	3.00	1,000	C6
*S836/60/2	60	33	2.00	1,000	C6
*S836/60/3	60	50	3.00	1,000	C6

FESTOON LAMP 8x39mm CAP. S7



Order Code	Volts	mA	Watts	Average Life Hours	Fil Form
*S839/6/3	6	500	3.00	1,000	C6
*S836/6/5	6	835	5.00	1,000	C6
*S839/12/3	12	250	3.00	1,000	C6
*S839/12/5	12	416	5.00	1,000	C6
*S839/24.05	24	50	1.20	1,000	C6
*S839/24/1.5	24	60	1.50	1,000	C6
S839/24/3	24	125	3.00	1,000	C6
*S839/24/5	24	208	5.00	1,000	C6
*S839/30/3	30	100	3.00	1,000	C6
*S839/30/5	30	166	5.00	1,000	C6
S839/36/1.5	36	40	1.44	1,000	C6
*S839/48/5	48	104	5.00	1,000	C6
*S839/60/2	60	33	2.00	1,000	C6

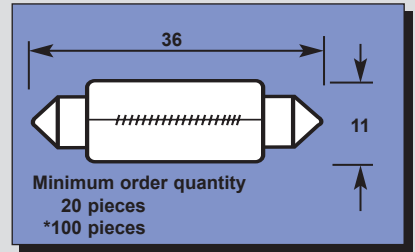
FESTOON LAMP 11x30mm CAP. S8



Order Code	Volts	mA	Watts	Average Life Hours	Fil Form
S1130/6/5	6	833	5.00	1,000	C6
S1130/6/8	6	1.33A	8.00	1,000	C6
S1130/6/10	6	1.66A	10.00	1,000	C6
S1130/12/5	12	416	5.00	1,000	C6
S1130/12/10	12	833	10.00	1,000	C6
S1130/24/5	24	208	5.00	1,000	C6
S1130/24/10	24	416	10.00	1,000	C6

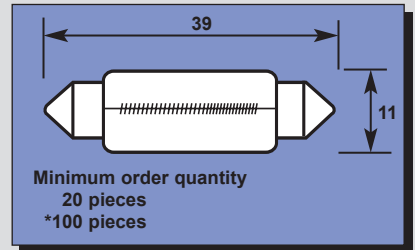
FESTOON LAMP 11x36mm CAP. S8

Order Code	Volts	mA	Watts	Average Life Hours	Fill Form
S1136/6/5	6	833	5.00	1,000	C6
S1136/6/10	6	1.66A	10.00	1,000	C6
S1136/12/5	12	416	5.00	1,000	C6
S1136/12/10	12	833	10.00	1,000	C6
S1136/24/5	24	208	5.00	1,000	C6
S1136/24/10	24	416	10.00	1,000	C6



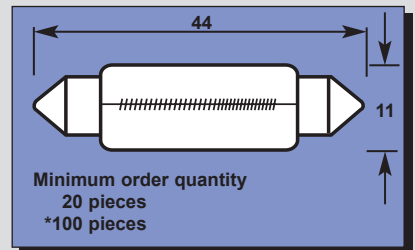
FESTOON LAMP 11x39mm CAP. S8

Order Code	Volts	mA	Watts	Average Life Hours	Fill Form
S1139/6/1.5	6	250	1.50	1,000	C6
*S1139/6/3	6	500	3.00	1,000	C6
S1139/6/5	6	833	5.00	1,000	C6
S1139/6/10	6	1.66A	10.00	1,000	C6
*S1139/12/3	12	250	3.00	1,000	C6
S1139/12/5	12	416	5.00	1,000	C6
S1139/12/6	12	500	6.00	1,000	C6
S1139/12/10	12	833	10.00	1,000	C6
*S1139/24/3	24	125	3.00	1,000	C6
S1139/24/5	24	208	5.00	1,000	C6
S1139/24/7	24	291	7.00	200	C6
S1139/24/10	24	416	10.00	1,000	C6
*S1139/30/3	30	100	3.00	1,000	C6
*S1139/30/5	30	166	5.00	1,000	C6
*S1139/48/3	48	62	3.00	1,000	C6
*S1139/48/5	48	104	5.00	1,000	C6
*S1139/60/3	60	50	3.00	1,000	C6
*S1139/60/5	60	83	5.00	1,000	C6



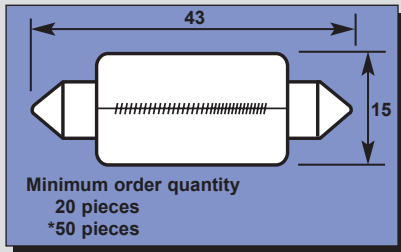
FESTOON LAMP 11x44mm CAP. S8

Order Code	Volts	mA	Watts	Average Life Hours	Fill Form
S1144/6/3	6	500	3.00	1,000	C6
S1144/6/5	6	830	5.00	1,000	C6
S1144/6/10	6	1.66A	10.00	1,000	C6
*S1144/12/3	12	250	3.00	1,000	C6
S1144/12/5	12	415	5.00	1,000	C6
S1144/12/10	12	830	10.00	1,000	C6
*S1144/24/3	24	125	3.00	1,000	C6
S1144/24/5	24	208	5.00	1,000	C6
S1144/24/10	24	416	10.00	1,000	C6
*S1144/30/3	30	100	3.00	1,000	C6
*S1144/30/5	30	166	5.00	1,000	C6
*S1144/48/3	48	62	3.00	1,000	C6
S1144/48/5	48	104	5.00	1,000	C6
*S1144/60/3	60	50	3.00	1,000	C6
*S1144/60/5	60	83	5.00	1,000	C6



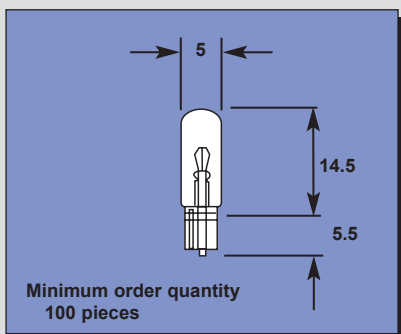
MICRO, SUB-MINIATURE & MINIATURE

FESTOON LAMP 15x44mm CAP. S8



Order Code	Volts	mA	Watts	Average Life Hours	Fill Form
S1544/6/3	6	500	3.00	1,000	C6
S1544/6/5	6	830	5.00	1,000	C6
*S1544/6/10	6	1.6A	10.00	1,000	C6
*S1544/6/15	6	2.5A	15.00	1,000	C6
*S1544/6/18	6	3.0A	18.00	1,000	C6
S1544/6/21	6	3.5A	21.00	1,000	C6
*S1544/12/3	12	250	3.00	1,000	C6
S1544/12/5	12	415	5.00	1,000	C6
S1544/12/10	12	830	10.00	1,000	C6
S1544/12/15	12	1.25A	15.00	500	C6
S1544/12/18	12	1.5A	18.00	500	C6
S1544/12/21	12	1.75A	21.00	200	C6
*S1544/24/3	24	125	3.00	1,000	C6
S1544/24/5	24	210	5.00	1,000	C6
S1544/24/10	24	410	10.00	1,000	C6
S1544/24/15	24	625	15.00	1,000	C6
S1544/24/18	24	750	18.00	1,000	C6
S1544/24/20	24	833	20.00	1,000	C6
*S1544/30/3	30	100	3.00	1,000	C6
*S1544/30/5	30	166	5.00	1,000	C6
*S1544/48/5	48	104	5.00	1,000	C6
*S1544/48/10	48	210	10.00	1,000	C6
*S1544/60/5	60	80	5.00	1,000	C6
*S1544/60/10	60	160	10.00	1,000	C6
*S1544/80/5	80	60	5.00	1,000	C6

WEDGE BASE CAPLESS (W2 x 4.6d) T-1^{1/2}



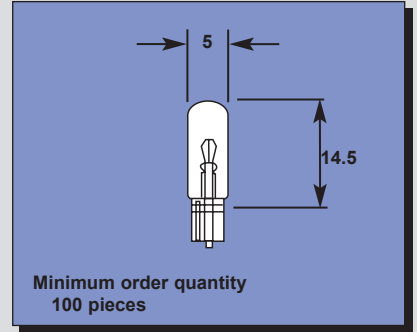
Order Code	Volts	mA	Light Output M.S.C.P.	Average Life Hours	Fill Form
*T5/6/30	6	30	.024	1,000	C2V
T5/6/.08	6	80	.07	5,000	C2V
*T5/6/1	6	166	.30	1,000	C2R
*T5/6/.2	6	200	.254	10,000	C2R
2306	6-7	30	.02	3,000	C2V
2305	6-7	166	.30	5,000	C2R
T5/63/30	6.3	40	.031	15,000	C2V
T5/63/.2	6.3	200	.453	5,000	C2R
T5/12/30	12	30	.05	1,000	C2V
T5/12/80	12	80	.08	5,000	C2V
T5/12/1	12	83	.24	1,000	C2V
T5/12/.1	12	100	.30	5,000	C2V
T5/12/1.2	12	100	.60	1,000	C2V
T5/12/1.2A	12	100	Amber	1,000	C2V
T5/12/1.2B	12	100	Blue	1,000	C2V
T5/12/1.2F	12	100	Frosted	1,000	C2V
T5/12/1.2G	12	100	Green	1,000	C2V
T5/12/1.2R	12	100	Red	1,000	C2V
T5/12/1.5	12	120	.42	5,000	C2V
T5/12/2	12	166	.60	1,000	C2V
2322	12-15	30	.05	3,000	C2V
2321	12-15	83	.24	5,000	C2V
T5/13/.1	13	100	.60	1,000	C2V
T5/14/30	14	30		10,000	C2V
T5/14/80	14	80	.30	5,000	C2V
T5/14/1.2	14	100	.50	5,000	C2V

Continued on next page

MICRO, SUB-MINIATURE & MINIATURE

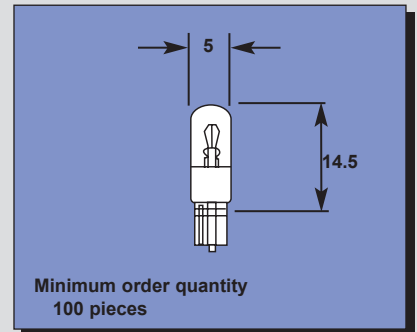
WEDGE BASE CAPLESS (W2 x 4.6d) T-1^{1/2}

Order Code	Volts	mA	Light Output M.S.C.P.	Average Life Hours	Fil Form
T5/18/04	18	40	.15	10,000	C2F
T5/24/20	24	20	.02	10,000	C2F
T5/24/30	24	30	.19	5,000	C2F
T5/24/1	24	40	.17	7,000	C2F
T5/24/1.2	24	50	.50	1,000	C2F
T5/24/2	24	80		1,000	C2F
T5/28/30	28	30	.15	10,000	C2F
*T5/28/40	28	40	.30		C2F
2342	30	20	.07	7,000	C2F
2341	30	33	.14	6,000	C2F
T5/48/20	48	20	.14	6,000	CC2F
T5/48/25	48	25	.20	1,000	CC2F
T5/60/20	60	20	.18	6,000	CC2F



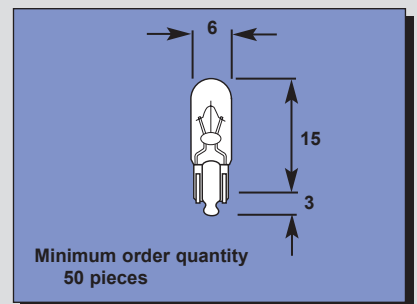
WEDGE BASE CAPLESS (W2 x 4.6d) T-1^{1/2}

Order Code	Volts	mA	Light Output M.S.C.P.	Average Life Hours	Fil Form
GP5/36/05	36	50		1,000	CC2F
GP5/36/02	36	20		1,000	CC2F
GP5/48/03	42/48	30		1,000	CC2F
GP5/60/02	48/60	20		1,000	CC2F
GP5/65/03	60/65	30		1,000	CC2F



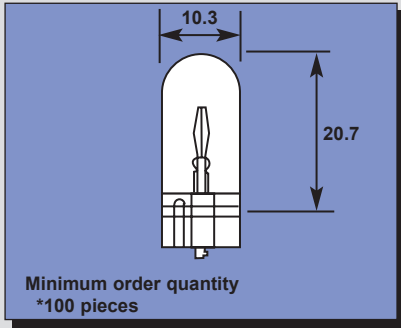
WEDGE BASE CAPLESS (W2 x 4.6d) T-1^{3/4}

Order Code	Volts	mA	Light Output M.S.C.P.	Average Life Hours	Fil Form
56	5	115	.15	20,000	C2R
84	6.3	40	.02	10,000	C2V
86	6.3	200	.40	20,000	C2V
18	14	40	.15	5,000	C2F
73	14	80	.30	15,000	C2F
74	14	100	.70	500	C2F
85	28	40	.30	10,000	C2F



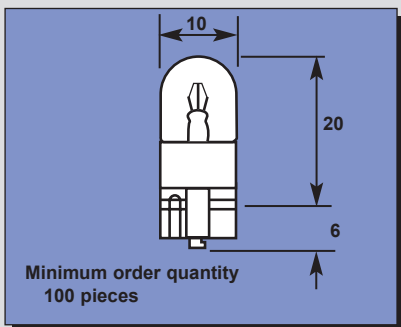
MICRO, SUB-MINIATURE & MINIATURE

WEDGE BASE CAPLESS (W2.1 x 9.5) T 3¹/₄



Order Code	Volts	mA	Light Output M.S.C.P.	Average Life Hours	Fil Form
*T10/6/30	6	30	.06	1,000	C2V
*T10/6/1	6	100	.20	1,000	C2R
*T10/6/1	6	166	.29	1,000	C2V
*T10/6/2	6	200	.36	1,000	C2R
*T10/6/1.7	6	283	.51	1,000	C2R
*T10/6/3	6	300	.54	1,000	C2R
*T10/6/2	6	350	.63	1,000	C2V
*T10/6/3	6	500	.90	1,000	C2R
159	6.3	150	.34	10,000	C2R
259	6.3	250	.65	10,000	C2R
555	6.3	270	.74		
*T10/7/30	7	30	.03	1,000	C2R
*T10/7/100	7	100	.17	1,000	C2R
*T10/12/30	12	30	.08	1,000	C2V
*T10/12/1	12	83	.30	1,000	C2V
*T10/12/1.2	12	100	.40	1,000	C2V
509	12	166	1.03	1,000	C2V
512	12	216	1.80	1,000	C2V
504	12	250	1.75	1,000	C2V
501	12	416	4.00	1,000	C2R
T10/12/5KRY	12	5W	50ML	1,000	C2V
T10/12/5XEN	12	5W	65ML	800	C2V
161	14	190	1.00	4,000	C2F
158	14	240	2.00	500	C2V
194	14	270	2.00	1,500	C2F
168	14	350	2.94	1,500	C2F
*2521	12/15	166	.80	1,000	C2F
*T10/24/30	24	30	.20	1,000	C2F
*T10/24/1	24	40	.30	1,000	C2F
513	24	83	.64	5,000	C2F
505	24	125	1.75	1,000	C2F
514	24	166	1.11	2,500	C2F
507	24	208	4.00	200	C2F
656	28	60	.62	5,000	C2F
400	28	100	1.35	1,000	C2F
*T10/48/4	48	83	1.04	1,000	CC2F

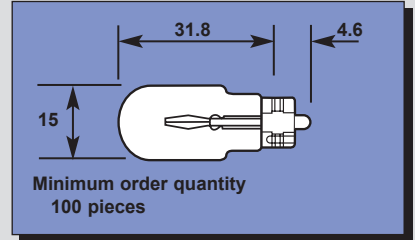
WEDGE BASE CAPLESS (W2.1 x 9.5d) T 3¹/₄



Order Code	Volts	mA	Light Output M.S.C.P.	Average Life Hours	Fil Form
GP10/36/50	36	55		1,000	C2F
GP10/45/04	36/45	44		1,000	C2F
GP10/48/04	42/48	42		1,000	CC2F
GP10/60/03	48/60	33		1,000	CC2F
GP10/80/02	70/80	25		1,000	CC2F
GP10/130/02	130	20		1,000	CC2F

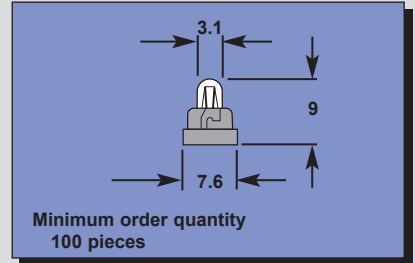
WEDGE BASE CAPLESS (W2.1 d)

Order Code	Volts	mA	Light Output Lumen	Average Life Hours	Fil Form
GE908	6	1500	12	50	C2R
GE906	12	833	10	1,000	C2R
GE912	12.8	1000	12	1,000	C2R
GE921	12.8	1400	21	1,000	C2R
GE906	13	690	6	1,000	C2F
GE904	13.5	690	4	5,000	C2F



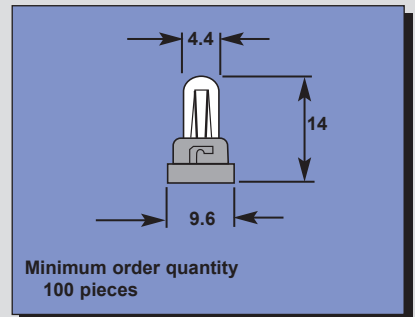
NEO-WEDGE BASE T1

Order Code	Volts	mA	Light Output M.S.C.P.	Average Life Hours	Fil Form
NW3/5/60	5	60	.05	10,000	C2R
NW3/5/75	5	75	.09	10,000	C2R
NW3/5/115	5	115	.015	10,000	C2R
NW3/12/40	12	40	.12	10,000	C2F
NW3/12/50	12	50	.15	10,000	C2F
NW3/12/60	12	60	.15	10,000	C2F
NW3/14/40	14	40	.15	5,000	C2F
NW3/14/60	14	60	.20	5,000	C2F
NW3/14/60	14	60	.36	1,000	C2F
NW3/14/65	14	65	.20	5,000	C2F



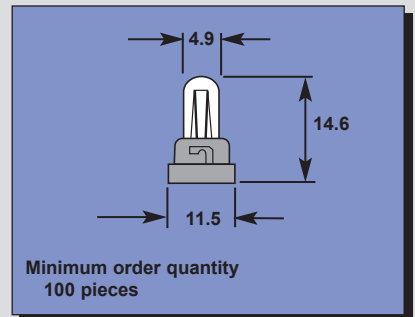
NEO-WEDGE BASE T1^{1/4}

Order Code	Volts	mA	Light Output M.S.C.P.	Average Life Hours	Fil Form
NW4/12/40	12	40	.12	10,000	C2F
NW4/12/50	12	50	.16	15,000	C2F
NW4/12/100	12	100	.32	10,000	C2F
NW4/14/40	14	40	.13	5,000	C2F
NW4/14/50	14	50	.18	5,000	C2F
NW4/14/60	14	60	.22	5,000	C2F
NW4/14/80	14	80	.30	10,000	C2F
NW4/14/100	14	100	.56	1,000	C2F
NW4/28/40	28	40	.32	10,000	C2F



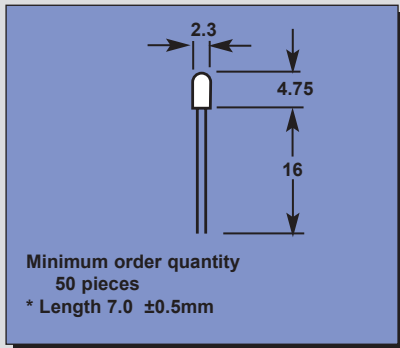
NEO-WEDGE BASE T1^{1/2}

Order Code	Volts	mA	Light Output M.S.C.P.	Average Life Hours	Fil Form
NW5/5/115	5	115	.09	50,000	C2V
NW5/63/200	6.3	200	.40	10,000	C2F
NW5/14/60	14	60	.22	7,000	C2F
NW5/14/80	14	80	.30	10,000	C2F
NW5/14/100	14	100	.50	5,000	C2F
NW5/14/150	14	150	.72	3,000	C2F
NW5/24/40	24	40	.22	10,000	C2F
NW5/24/50	24	50	.28	7,000	C2F
NW5/28/40	28	40	.34	5,000	C2F



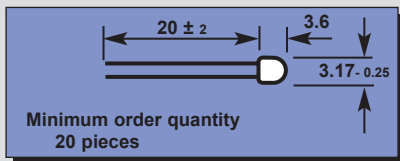
MICRO, SUB-MINIATURE & MINIATURE

WIRE TERMINAL 2.3 x 4.75mm T -3/4



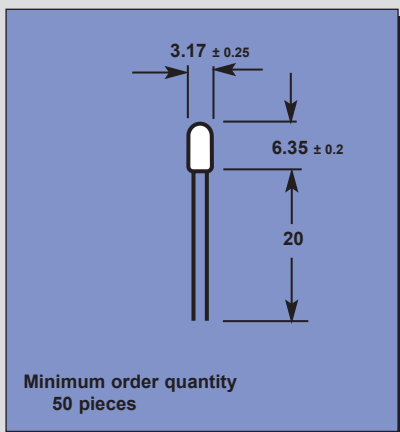
Order Code	Volts	mA	Light Output M.S.C.P.	Average Life Hours	Fil Form
4562/00	5	60	.05	50,000	C2R
8666	5	80	.15	1,000	C2R
4102/00	5	115	.20	8,000	C2R
*4034/00	6	50	.05	40,000	C2V
*4029/00	12	30	.03	16,000	C2V
*4025/00	12	50	.07	16,000	CC2V
*4022/00	24	20	.035	10,000	CC2F
*4030/00	28	24	.05	10,000	CC2F

WIRE TERMINAL 3 x 3.68mm T-1 SHORT



Order Code	Volts	mA	Light Output M.S.C.P.	Average Life Hours	Fil Form
6832	5	60	.05	20,000	C2R
6152	5	60	.15	1,000	C2R
7152	5	115	.15	20,000	C2R

WIRE TERMINAL 3 x 6.35mm T-1

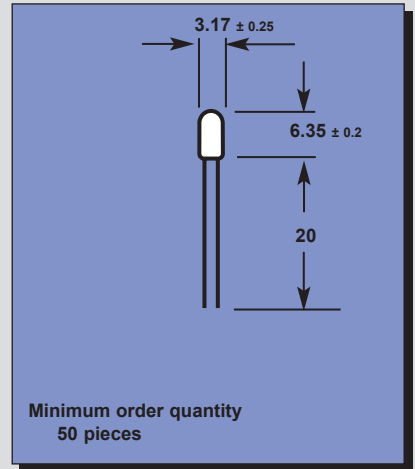


Order Code	Volts	mA	Light Output M.S.C.P.	Average Life Hours	Fil Form
1040/00	1.5	65	.01	5,000	C6
1003/00	2.5	65	.04	4,000	C6
1025/00	2.5	100	.08	2,500	C6
1056/00	2.7	300	.29	6,000	C2R
1005/00	3	12	.002	2,000	C6
1330/00	3	30	.024	2,500	C2R
1350/00	3	50	.024	12,000	C2R
1055/00	3	120	.15	2,000	C2R
1007/00	5	15	.015	1,500	C6
8602	5	17	.005	10,000	C2R
1522/00	5	20	.003	20,000	C2R
1123/00	5	20	.015	4,000	C6
1034/00	5	20	.025	1,200	C6
6022	5	21	.034	1,000	C2R
1530/00	5	30	.03	5,000	C6
7210	5	30	.03	2,000	C2R
1126/00	5	40	.025	12,000	CC6
1540/00	5	40	.1	500	C2R
1045/00	5	45	.06	8,000	CC6
683	5	60	.05	100,000	C2R
1750/00	5	75	.09	40,000	CC6
713	5	75	.09	10,000	C2R
715	5	115	.15	40,000	C2R
1650/00	6	50	.03	25,000	C2R
1660/00	6	60	.05	50,000	CC2R
1670/00	6	70	.09	20,000	CC2R
1160/00	6	115	.15	40,000	CC6
1171/00	10	27	.10	1,000	C2F

Continued on next page

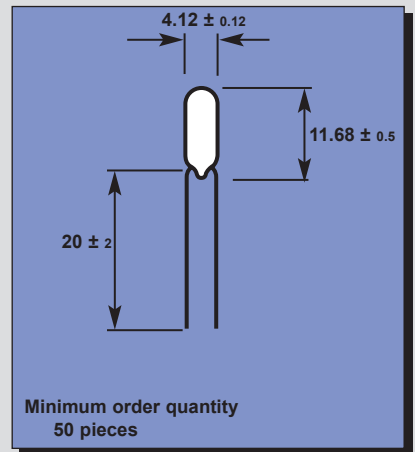
WIRE TERMINAL 3 x 6.35mm T-1

Order Code	Volts	mA	Light Output M.S.C.P.	Average Life Hours	Fil Form
1220/00	12	20	.02	8,000	C2F
1041/00	12	25	.10	1,000	CC6
1230/00	12	30	.03	12,000	C2F
1030/00	12	30	.10	2,000	C2F
1250/00	12	50	.12	10,000	C2F
7219	12	60		16,000	C2F
1120/00	12	60	.15	20,000	CC2F
1064/00	14	20	.045	3,000	C2F
1012/00	14	40	.03	20,000	CC2F
1440/00	14	40	.10	8,000	C2F
1122/00	14	65	.15	16,000	CC2F
1620/00	16	20	.04	5,000	C2F
1630/00	16	30	.02	20,000	CC2F
1015/00	18	21	.06	3,000	CC2F
1127/00	18	26	.06	8,000	C2F
1182/00	18	26	.15	2,000	C2F
1242/00	24	20	.06	4,000	CC2F
1240/00	24	24	.15	4,000	CC2F
1071/00	24	40	.12	12,000	CC2F
1132/00	28	20	.05	6,000	CC2F
1020/00	28	20	.03	6,000	CC2F
1222/00	28	20	.10	4,000	CC2F
6838	28	24	.15	5,000	CC2F
1044/00	28	40	.36	3,000	CC2F
1049/00	36	20	.15	3,000	CC2F



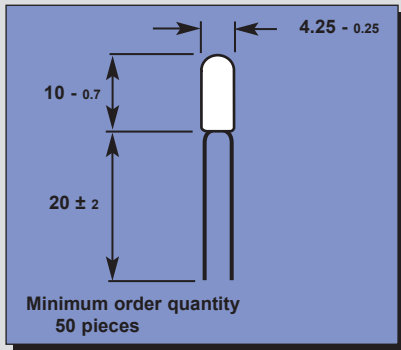
WIRE TERMINAL 4.25 x 12mm BUTT SEAL T-1¹/₄

Order Code	Volts	mA	Light Output M.S.C.P.	Average Life Hours	Fil Form
749WT	1.5	70	.016	25,000	C2R
8655	2.5	40	.55	30	C2R
324	3.0	190	.25	350	C2R
758WT	5	60	.024	1,000	C2R
583	5	60	.05	25,000	C2R
515	5	115	.15	40,000	C2R
759WT	6	30	.03	1,000	C2R
761WT	6	40	.04	5,000	C2R
2114	6	60	.13	3,000	C2R
634	6	200	.63	1,000	C2R
762WT	6.3	40	.03	5,000	C2V
8610	6.3	200	.55	5,000	C2R
8608	10	14	.004	10,000	C2F
747WT	12	30	.06	3,000	C2V
772WT	12	35	.05	10,000	C2F
757WT	12	40	.12	5,000	C2F
754WT	12	80	.36	1,000	C2F
756WT	12	100	.36	1,000	C2V
766WT	14	37	.16	5,000	C2F
1153WT	14	65	.16	20,000	C2F
8640	14	80	.50	1,000	C2F
770WT	24	35	.15	7,500	C2F
768WT	28	24	.15	2,500	C2F
8627	28	40	.32	1,000	C2F



MICRO, SUB-MINIATURE & MINIATURE

WIRE TERMINAL 4.25 x 10mm BEAD SEAL T -1¹/₄

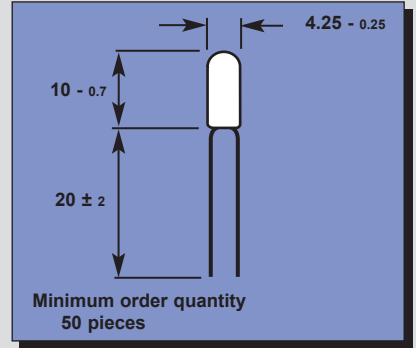


Order Code	Volts	mA	Light Output M.S.C.P.	Average Life Hours	Fil Form
5135/00	1.3	30	.005	1,000	S2
5631/00	1.35	60	.01	2,500	C6
5153/00	1.50	150	.025	7,500	C2R
5025/00	2.5	120	.022	10,000	C2R
5655/00	2.5	400	.55	8,000	C2R
5276/00	2.7	60	.04	5,000	C2R
324BS	3	19	.25	350	C2R
5330/00	3	30	.03	4,000	C6
5921/00	3	40	.03	4,000	C6
5008/00	3	100	.15	1,500	C6
5324/00	3	190	.25	3,000	C2R
5450/00	4	50	.02	20,000	C6
5410/00	4	100	.10	20,000	C2R
5430/00	4	300	.10	80,000	C2R
5455/00	4.5	25	.014	10,000	C6
5520/00	5	20	.003	20,000	C6
5530/00	5	20	.015	4,000	C6
5926/00	5	30	.03	5,000	C2R
5835/00	5	30	.06	700	C2R
5580/00	5	60	.03	100,000	C2R
583BS	5	60	.05	25,000	C2R
5009/00	5	60	.16	800	C2R
5933/00	5	75	.09	40,000	C2R
5927/00	5	80	.10	30,000	C2R
515BS	5	115	.15	40,000	C2R
5929/00	5	120	.20	10,000	C2R
5959/00	6	20	.015	6,000	C6
5619/00	6	30	.018	15,000	C6
5630/00	6	30	.06	1,500	C6
5635/00	6	35	.012	25,000	CC6
8661BS	6	40	.03	1,000	C2V
5866/00	6	40	.03	15,000	C2R
5650/00	6	50	.06	15,000	C2R
5661/00	6	60	.05	50,000	C2R
5114/00	6	60	.12	5,000	C2R
5932/00	6	70	.065	40,000	C2R
5680/00	6	80	.07	60,000	C2R
5928/00	6	100	.10	60,000	C2R
634BS	6	200	.63	1,000	C2R
5934/00	6	200	.36	16,000	C2R
5644/00	6.3	40	.03	15,000	C2R
5610/00	6.3	200	.55	5,000	C2R
5010/00	6.3	240	.4	20,000	C2R
5608/00	10	15	.003	30,000	C2F
5102/00	10	20	.003	40,000	C2F
5040/00	10	40	.08	7,500	C2F
5110/00	10	100	.20	35,000	C2F
5122/00	12	20	.007	20,000	C2F
5123/00	12	20	.03	7,000	C2F
5131/00	12	30	.02	20,000	C2F
5136/00	12	30	.05	7,500	C2F
5111/00	12	30	.10	2,000	CC6
5235/00	12	35	.05	10,000	C2F
5161/00	12	40	.03	25,000	C2F
757BS	12	40	.12	5,000	C2F
5150/00	12	50	.05	25,000	C2F
5402/00	12	50	.12	10,000	C2F
5267/00	12	60	.15	20,000	C2F
754BS	12	80	.36	1,000	C2V
5120/00	12	80	.20	25,000	C2F
5938/00	12	100	.29	30,000	C2F
5379/00	12	120	.25	60,000	C2F
5012/00	13.5	30	.06	6,000	CC2Fz
766BS	14	37	.16	5,000	C2F
5145/00	14	40	.10	8,000	C2F
5194/00	14	50	.05	30,000	C2F
1153BS	14	65	.16	20,000	C2F

Continued on next page

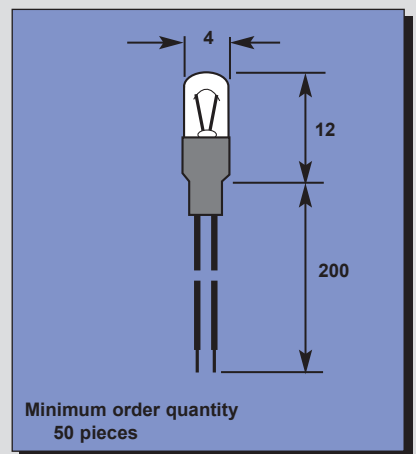
WIRE TERMINAL 4.25 x 10mm BEAD SEAL T -1/4

Order Code	Volts	mA	Light Output M.S.C.P.	Average Life Hours	Fil Form
5101/00	14	75	.25	15,000	C2F
5517/00	14	80	.3	18,000	C2F
640BS	14	80	.30	10,000	C2F
8640BS	14	80	.50	1,000	C2F
5163/00	16	30	.034	12,000	C2F
5187/00	16	40	.10	10,000	C2F
5160/00	16	50	.20	8,000	C2F
5931/00	16	60	.185	12,000	C2F
5937/00	18	25	.065	5,000	C2F
5174/00	18	40	.15	7,000	C2F
5191/00	19	40	.10	12,000	C2F
5159/00	19	40	.25	3,000	C2F
5181/00	19	50	.25	6,000	C2F
5202/00	20	20	.05	5,000	CC2F
5240/00	24	20	.03	6,000	CC2F
5250/00	24	20	.06	4,000	C2F
5003/00	24	30	.09	7,000	C2F
5233/00	24	35	.10	10,000	CC2F
770/BS	24	35	.13	10,000	C2F
5244/00	24	40	.15	10,000	C2F
5253/00	24	50	.18	10,000	CC2F
5924/00	24	50	.24	8,000	C2F
5535/00	24	50	.5	1,000	C2F
5529/00	24	80	.5	15,000	C2F
5930/00	28	24	.15	6,000	C2F
5282/00	28	25	.08	7,500	CC2F
5016/00	28	35	.10	18,000	CC2F
5627/00	28	40	.34	5,000	C2F
5588/00	28	40	.15	25,000	C2F
5508/00	28	40	.2	12,000	C2F
5280/00	28	40	.24	10,000	C2F
5920/00	30	20	.08	5,000	CC2F
5923/00	30	40	.24	10,000	CC2F
5362/00	36	20	.08	5,000	CC2F
5941/00	36	35	.22	8,000	CC2F
5925/00	48	20	.13	4,000	CC2F
5482/00	48	25	.20	4,000	CC2F
5939/00	60	15	.10	2,000	CC2F
5960/00	60	20	.16	4,000	CC2F
5001/00	60	20	.30	1,000	CC2F



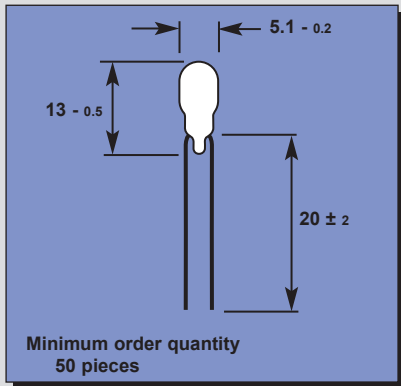
WIRE TERMINAL 4 x 12mm WITH INSULATED LEAD T-1/4

Order Code	Volts	mA	Light Output M.S.C.P.	Average Life Hours	Fil Form
WTL456	4.5	60	.1	2,000	C2R
WTL660	6	60	.05	5,000	C2R
WTL6325	6.3	25	.015	6,000	C2R
WTL6340	6.3	40	.03	10,000	C2R
WTL6380	6.3	80	.23	2,000	C2R
WTL840	8	40	.03	2,000	C2R
WTL860	8	60	.05	2,000	C2R
WTL880	8	80	.07	5,000	C2R
WTL1240	12	40	.09	10,000	C2V
WTL1260	12	60	.15	10,000	C2V
WTL1440	14	40	.09	10,000	C2F
WTL1480	14	80	.50	2,500	C2F



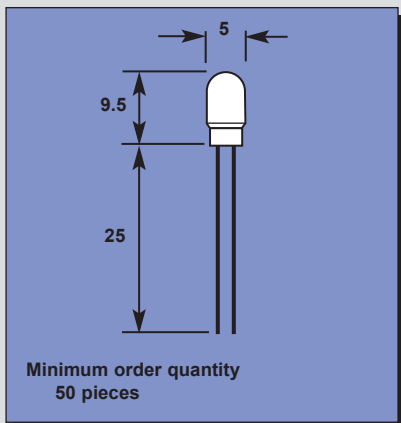
MICRO, SUB-MINIATURE & MINIATURE

WIRE TERMINAL 5.25 x 13.5mm BUTT SEAL T -1¹/₂



Order Code	Volts	mA	Light Output M.S.C.P.	Average Life Hours	Fil Form
655WT	1.5	75	.04	30	S2
670WT	4.5	60	.06	2,000	C2R
697WT	6	40	.04	10,000	C2R
673WT	6	55	.08	10,000	C2R
674WT	6.5	150	.32	2,500	C2V
676WT	8	150	.28	5,000	C2V
691WT	12	30	.08	4,000	C2V
679WT	12	83	.19	10,000	C2V
280WT	12	127	.42	5,000	C2F
690WT	14	37	.13	5,000	C2F
5682WT	14	50	.24	1,000	C2F
684WT	18	40	.15	10,000	C2F
687WT	24	40	.24	10,000	C2F
399WT	28	40	.30	10,000	C2F
688WT	28	40	.36	4,000	C2F

WIRE TERMINAL 5 x 10mm BEAD SEAL T -1¹/₂



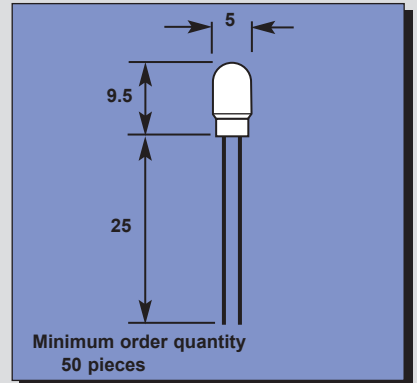
Order Code	Volts	mA	Light Output M.S.C.P.	Average Life Hours	Fil Form
6190/00	2.5	200	.25	2,000	C6
6660/00	2.5	300	.50	500	C2R
6277/00	2.7	70	.04	6,000	C6
6351/00	3.5	160	.08	15,000	C2R
6405/00	4	50	.02	20,000	C2R
6669/00	4.5	60	.10	4,000	C2R
6560/00	5	60	.05	100,000	C2R
6511/00	5	115	.15	40,000	C2R
6004/00	5	300	.95	400	C2R
6603/00	6	30	.02	10,000	C6
6696/00	6	40	.03	15,000	C2R
6672/00	6	60	.12	8,000	C2R
6608/00	6	80	.07	60,000	C2R
6618/00	6	80	.09	35,000	C2R
6628/00	6	80	.11	20,000	C2R
6610/00	6	100	.12	40,000	C2R
6616/00	6	165	.30	15,000	C2R
6192/00	6	200	.60	3,000	C2R
6675/00	6.5	150	.50	2,000	C2R
6123/00	12	30	.05	7,500	C2F
6133/00	12	30	.10	2,000	CC6
6130/00	12	40	.03	25,000	C2F
6131/00	12	40	.09	8,000	CC2R
6125/00	12	50	.12	10,000	C2F
6135/00	12	60	.15	20,000	C2F
6678/00	12	80	.20	25,000	C2F
6002/00	12	83	.30	10,000	C2F
6129/00	12	9	.25	20,000	C2F
6121/00	12	100	.25	35,000	C2F

Continued on next page

MICRO, SUB-MINIATURE & MINIATURE

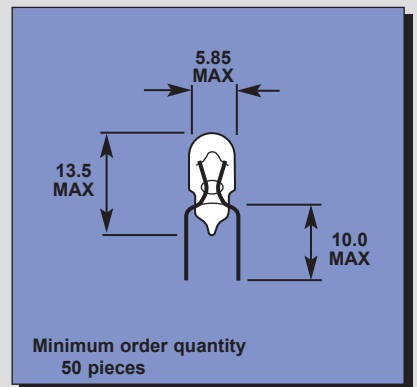
WIRE TERMINAL 5 x 10mm BEAD SEAL T -1¹/₂

Order Code	Volts	mA	Light Output M.S.C.P.	Average Life Hours	Fil Form
6689/00	14	40	.15	5,000	C2F
6253/00	16	50	.20	8,000	C2F
6683/00	18	40	.15	7,000	C2F
6243/00	24	35	.15	7,000	C2F
6686/00	24	40	.15	10,000	C2F
6240/00	24	40	.25	5,000	C2F
6235/00	24	50	.50	1,000	C2F
6194/00	28	40	.34	5,000	C2F



WIRE TERMINAL 5.85 x 13.5mm BUTT SEAL T -1³/₄

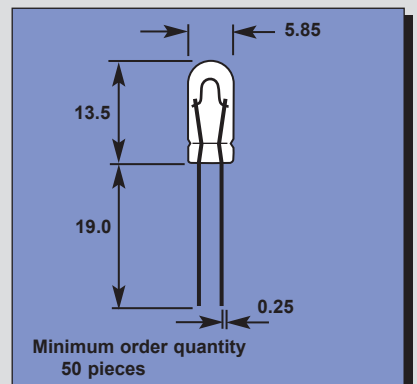
Order Code	Volts	mA	Light Output M.S.C.P.	Average Life Hours	Fil Form
1730	6	40	.03	10,000	C2R
1784	6	200	.60	1,000	C2R
2180	6.3	40	.02	20,000	C2V
2181	6.3	200	.40	20,000	C2R
1869	10	14	.002	10,000	C2F
725WT	12	100	.40	5,000	C2V
740WT	12	90	.32	20,000	C2V
1705	14	80	.50	1,000	C2F
2182	14	80	.30	15,000	C2F
2102	18	40	.15	10,000	C2F
1764	28	40	.34	4,000	C2F
2187	28	40	.30	10,000	C2F
8361	28	65	.65	5,000	C2F



WIRE TERMINAL 5.85 x 13.5mm BEAD SEAL T -1³/₄

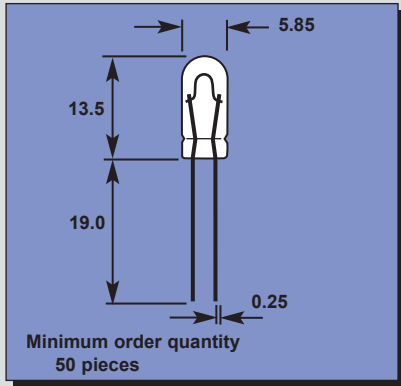
Order Code	Volts	mA	Light Output M.S.C.P.	Average Life Hours	Fil Form
7728/00	1.35	60	.010	2,500	C6
7015/00	1.35	70	.022	1,000	C6
7783/00	2.5	200	.25	2,000	C6
7169/00	2.5	350	.20	15,000	C2R
7738/00	2.7	60	.04	5,000	C6
7158/00	3	15	.003	5,000	C6
7156/00	3	30	.02	4,000	C6
7063/00	3	40	.03	4,000	C6
7103/00	4	250	.20	25,000	C2R
7068/00	4	300	.55	1,500	C6
7118/00	4.5	120	.05	60,000	C2R

Continued on next page



MICRO, SUB-MINIATURE & MINIATURE

WIRE TERMINAL 5.85 x 13.5mm BEAD SEAL T -1³/₄

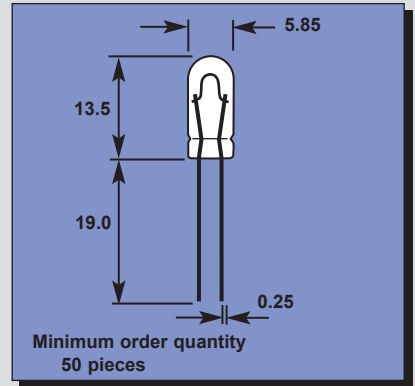


Order Code	Volts	mA	Light Output M.S.C.P.	Average Life Hours	Fil Form
7800/00	5	17	.02	1,000	C6
7520/00	5	20	.003	20,000	C2R
7521/00	5	20	.015	4,000	C6
7064/00	5	30	.03	5,000	C6
7075/00	5	40	.025	12,000	C2R
7124/00	5	60	.03	100,000	C2R
7200/00	5	60	.05	100,000	C2R
7061/00	5	60	.15	5,000	C6
7217/00	5	75	.09	40,000	C2R
7203/00	5	115	.15	40,000	C6
7055/00	5	230	.60	2,000	C6
7022/00	5	250	.35	15,000	C2R
1730BS	6	40	.04	10,000	C2V
7730/00	6	40	.03	15,000	C2R
7188/00	6	60	.13	5,000	C2R
7670/00	6	70	.08	30,000	CC6
7208/00	6	100	.12	40,000	C2R
7168/00	6	125	.35	4,000	C2R
7111/00	6	150	.50	1,500	C2R
7357/00	6	180	.30	20,000	C2R
7784/00	6	200	.60	3,000	C2R
7080/00	6	200	.10	100,000	C2F
2180BS	6.3	40	.03	20,000	C2
7180/00	6.3	40	.02	25,000	C2R
7739/00	6.3	75	.15	10,000	C2R
7029/00	6.3	150	.50	2,000	C2R
7181/00	6.3	200	.40	15,000	C2R
2181BS	6.3	200	.40	20,000	C2F
7112/00	6.3	200	.55	5,000	C2R
7869/00	10	15	.003	30,000	C2F
7127/00	10	27	.10	1,000	CC6
7107/00	10	40	.08	7,500	CC2R
7220/00	12	20	.007	20,000	C2F
7221/00	12	20	.03	6,000	C2F
7174/00	12	40	.10	6,000	CC2R
7126/00	12	60	.15	20,000	C2F
7065/00	12	75	.20	20,000	C2F
7121/00	12	100	.30	8,000	C2F
7006/00	12	100	.40	10,000	C2F
7179/00	12	120	.25	60,000	C2F
7140/00	14	50	.08	16,000	C2F
7150/00	14	80	.20	30,000	C2F
2182BS	14	80	.30	15,000	C2F
1705BS	14	80	.50	1,000	C2F
7183/00	14	100	.40	16,000	C2F
7141/00	16	30	.034	12,000	C2F
7040/00	18	30	.05	10,000	C2F
7102/00	18	40	.15	7,000	C2F
7194/00	19	40	.10	12,000	C2F
7425/00	22	40	.30	1,500	C2F
7420/00	24	20	.03	6,000	CC2F
7421/00	24	20	.06	4,000	C2F
7442/00	24	25	.07	7,000	CC2F
7073/00	24	28	.03	15,000	CC2F
7241/00	24	35	.15	7,000	C2F
7440/00	24	40	.25	5,000	C2F
7245/00	24	50	.18	10,000	CC2F

Continued on next page

WIRE TERMINAL 5.85 x 13.5mm BEAD SEAL T -1³/₄

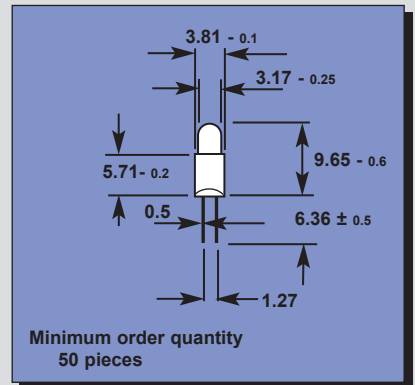
Order Code	Volts	mA	Light Output M.S.C.P.	Average Life Hours	Fil Form
7235/00	24	50	.50	1,000	C2F
7248/00	24	80	.50	15,000	C2F
7172/00	28	24	.15	6,000	C2F
7282/00	28	25	.08	7,500	CC2F
7046/00	28	30	.20	6,000	C2F
7105/00	28	30	.25	2,500	C2F
7317/00	28	35	.10	18,000	C2F
7185/00	28	40	.15	25,000	C2F
7280/00	28	40	.20	12,000	C2F
7187/00	28	40	.30	8,000	C2F
7764/00	28	40	.34	5,000	C2F
7286/00	28	60	.34	20,000	C2F
7287/00	28	65	.60	8,000	C2F
7295/00	28	80	.72	10,000	C2F
7225/00	32	33	.34	3,000	C2F
7360/00	36	20	.08	5,000	CC2F
7007/00	36	30	.30	2,500	C2F
7480/00	48	20	.20	2,500	CC2F
7482/00	48	25	.20	4,000	CC2F
7017/00	48	30	.15	8,000	CC2F
7033/00	48	30	.30	4,000	CC2F
7173/00	48	40	.34	8,000	CC2F
7041/00	60	20	.15	5,000	CC2F
7602/00	60	20	.30	1,000	CC2F
7603/00	60	30	.60	1,000	CC2F



BI - PIN 3.3 x 9.65mm PIN SPACING 1.27mm T-1

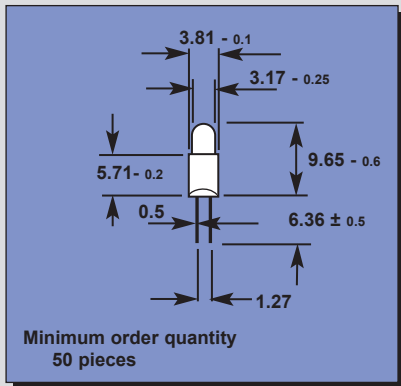
Order Code	Volts	mA	Light Output M.S.C.P.	Average Life Hours	Fil Form
1040/09	1.5	65	.01	5,000	C6
1003/09	2.5	65	.04	4,000	C6
1025/09	2.5	100	.08	2,500	C6
1056/09	2.7	300	.29	6,000	C2R
1005/09	3.0	12	.002	2,000	C6R
1330/09	3.0	30	.024	2,500	C2R
1350/09	3.0	50	.024	12,000	C2R
1055/09	3.0	120	.15	2,000	C2R
1007/09	5	15	.015	1,200	C6
1123/09	5	20	.015	4,000	C6
1522/09	5	20	.003	20,000	C2R
1034/09	5	20	.025	1,200	C6
1525/09	5	20	.034	500	C6
1530/09	5	30	.03	5,000	C6
7263	5	30	.03	2,000	C2R
1126/09	5	40	.025	1,200	CC6
1540/09	5	40	.10	500	C2R
1045/09	5	45	.06	8,000	CC6
7683	5	60	.05	100,000	C2R
1751/09	5	75	.09	40,000	C2R
1750/09	5	75	.09	40,000	CC6
1752/09	5	80	.12	12,000	CC2R

Continued on next page



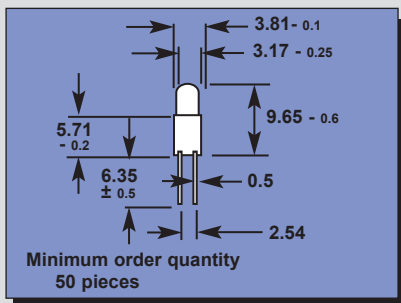
MICRO, SUB-MINIATURE & MINIATURE

BI - PIN 3.3 x 9.65mm PIN SPACING 1.27mm T-1



Order Code	Volts	mA	Light Output M.S.C.P.	Average Life Hours	Fil Form
7715	5	115	.15	40,000	C2R
1038/09	5	125	.22	8,000	C2R
1088/09	5	140	.20	20,000	CC6
1640/09	6	40	.04	10,000	C2R
1650/09	6	50	.03	25,000	C2R
1660/09	6	60	.05	50,000	CC2R
1198/09	6	60	.13	5,000	C2R
1670/09	6	70	.09	20,000	CC2R
1043/09	6	115	.15	40,000	C2R
1160/09	6	115	.15	40,000	CC6
1171/09	10	27	.10	1,000	C2F
1220/09	12	20	.02	8,000	C2F
1041/09	12	25	.10	1,000	CC6
1230/09	12	30	.03	12,000	C2F
1030/09	12	30	.10	2,000	C2F
1250/09	12	50	.12	10,000	C2F
8097	12	60	.15	16,000	C2F
1286/09	12	80	.20	25,000	C2F
1064/09	14	20	.045	3,000	C2F
1012/09	14	40	.03	25,000	CC2F
1440/09	14	40	.10	8,000	C2F
1122/09	14	65	.15	16,000	CC2F
1176/09	14	65	.25	6,000	C2F
1620/09	16	20	.04	5,000	C2F
1630/09	16	30	.02	20,000	CC2F
1015/09	18	21	.06	3,000	CC2F
1127/09	18	26	.06	8,000	C2F
1182/09	18	26	.15	2,000	C2F
1242/09	24	20	.06	4,000	CC2F
1240/09	24	24	.15	4,000	CC2F
1071/09	24	40	.12	12,000	CC2F
1020/09	28	20	.03	6,000	CC2
1132/09	28	20	.05	6,000	CC2F
1222/09	28	20	.10	4,000	CC2F
7839	28	24	.15	5,000	CC2F
1044/09	28	40	.36	3,000	CC2F
1049/09	36	20	.15	3,000	CC2F

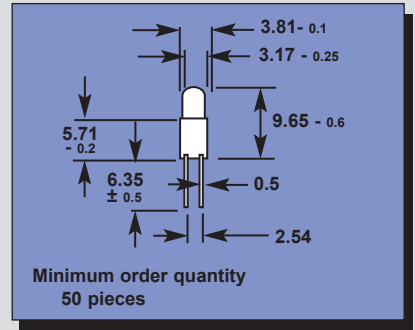
BI - PIN 3 x 9mm PIN SPACING 2.54mm T-1



Order Code	Volts	mA	Light Output M.S.C.P.	Average Life Hours	Fil Form
1040/08	1.5	65	.01	5,000	C6
1003/08	2.5	65	.04	4,000	C6
1025/08	2.5	100	.08	2,500	C6
1056/08	2.7	300	.29	6,000	C2R
1005/08	3	12	.002	2,000	C6
1330/08	3	30	.024	2,500	C2R
1350/08	3	50	.024	12,000	C2R
1055/08	3	120	.15	2,000	C2R
Continued on next page					

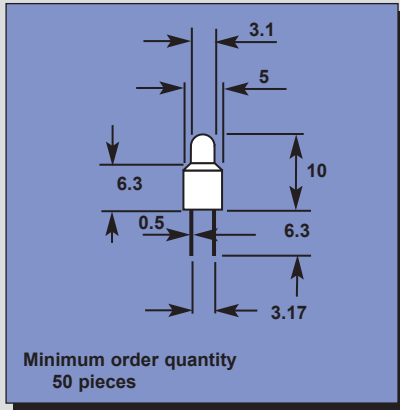
BI - PIN 3 x 9mm PIN SPACING 2.54mm T-1

Order Code	Volts	mA	Light Output M.S.C.P.	Average Life Hours	Fil Form
1007/08	5	15	.015	1,200	C6
1522/08	5	20	.003	20,000	C2R
1123/08	5	20	.015	4,000	C6
1034/08	5	20	.025	1,200	C6
1525/08	5	20	.034	500	C6
1530/08	5	30	.03	5,000	C6
1126/08	5	40	.025	12,000	CC6
1540/08	5	40	.100	500	C2R
1045/08	5	45	.06	8,000	CC6
1680/08	5	60	.03	100,000	CC2R
1601/08	5	60	.05	100,000	C2R
1600/08	5	60	.05	100,000	CC2R
1006/08	5	60	.10	8,000	C6
1206/08	5	60	.15	5,000	C2R
1751/08	5	75	.09	40,000	C2R
1750/08	5	75	.09	40,000	CC6
1752/08	5	80	.12	12,000	CC2R
1042/08	5	115	.15	40,000	C2R
1150/08	5	115	.15	40,000	CC6
1038/08	5	125	.22	8,000	C2R
1088/08	5	140	.20	20,000	CC6
1640/08	6	40	.04	10,000	C2R
1650/08	6	50	.03	25,000	C2R
1660/08	6	60	.05	50,000	CC2R
1198/08	6	60	.13	5,000	C2R
1670/08	6	70	.09	20,000	CC2R
1043/08	6	115	.15	40,000	C2R
1160/08	6	115	.15	40,000	CC6
1171/08	10	27	.10	1,000	C2F
1220/08	12	20	.02	8,000	C2F
1041/08	12	25	.10	1,000	CC6
1230/08	12	30	.03	12,000	C2F
1030/08	12	30	.10	2,000	C2F
1250/08	12	50	.12	10,000	C2F
1121/08	12	60	.15	20,000	C2F
1120/08	12	60	.15	20,000	CC2F
1286/08	12	80	.20	25,000	C2F
1064/08	14	20	.045	3,000	C2F
1012/08	14	40	.03	25,000	CC2F
1440/08	14	40	.10	8,000	C2F
1122/08	14	65	.15	16,000	CC2F
1176/08	14	65	.25	6,000	C2F
1620/08	16	20	.04	5,000	C2F
1630/08	16	30	.02	20,000	CC2F
1015/08	18	21	.06	3,000	CC2F
1127/08	18	26	.06	8,000	C2F
1182/08	18	26	.15	4,000	C2F
1242/08	24	20	.06	4,000	CC2F
1240/08	24	24	.15	4,000	CC2F
1071/08	24	40	.12	12,000	CC2F
1020/08	28	20	.03	6,000	CC2F
1132/08	28	20	.05	6,000	CC2F
1222/08	28	20	.10	4,000	CC2F
1280/08	28	24	.15	6,000	CC2F
1044/08	28	40	.36	3,000	CC2F
1049/08	36	20	.15	3,000	CC2F



MICRO, SUB-MINIATURE & MINIATURE

BI - PIN 4.95 x 9.5mm PIN SPACING 3.17mm T-1

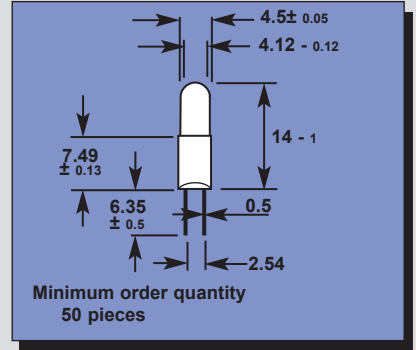


Order Code	Volts	mA	Light Output M.S.C.P.	Average Life Hours	Fil Form
1040/05	1.5	65	.01	5,000	C6
1003/05	2.5	65	.04	4,000	C6
1025/05	2.5	100	.08	2,500	C6
1056/05	2.7	300	.29	6,000	C2R
1005/05	3	12	.002	2,000	C6
1330/05	3	30	.024	2,500	C2R
1350/05	3	50	.024	12,000	C2R
1055/05	3	120	.15	2,000	C2R
1007/05	5	15	.015	1,200	C6
1522/05	5	20	.003	20,000	C2R
1123/05	5	20	.015	4,000	C6
1034/05	5	20	.025	1,200	C6
1525/05	5	20	.034	3,000	C6
1530/05	5	30	.03	5,000	C6
1126/05	5	40	.025	12,000	CC6
1540/05	5	40	.10	500	C2R
1045/05	5	45	.06	8,000	CC6
1680/05	5	60	.03	100,000	CC2R
1601/05	5	60	.05	100,000	C2R
1600/05	5	60	.05	100,000	CC2R
1006/05	5	60	.10	8,000	CC6
1206/05	5	60	.15	5,000	C2R
1751/05	5	75	.09	40,000	C2R
1750/05	5	75	.09	40,000	C6
1752/05	5	80	.12	12,000	CC2R
1042/05	5	115	.15	40,000	C2R
1150/05	5	115	.15	40,000	C6
1038/05	5	125	.22	8,000	C2R
1088/05	5	140	.20	20,000	C6
1640/05	6	40	.04	10,000	C2R
1650/05	6	50	.03	25,000	C2R
1660/05	6	60	.05	50,000	CC2R
1198/05	6	60	.13	5,000	C2R
1670/05	6	70	.09	20,000	CC2R
1043/05	6	115	.15	40,000	C2R
1160/05	6	115	.15	40,000	CC6
1171/05	10	27	.10	1,000	C2F
1220/05	12	20	.02	8,000	C2F
1041/05	12	25	.10	1,000	CC6
1230/05	12	30	.03	12,000	C2F
1030/05	12	30	.10	2,000	C2F
1250/05	12	50	.12	10,000	C2F
1121/05	12	60	.15	20,000	C2F
1120/05	12	60	.15	20,000	CC2F
1286/05	12	80	.20	25,000	C2F
1064/05	14	20	.045	3,000	C2F
1012/05	14	40	.03	25,000	CC2F
1440/05	14	40	.10	8,000	C2F
1122/05	14	65	.15	16,000	CC2F
1176/05	14	65	.25	6,000	C2F
1620/05	16	20	.04	5,000	C2F
1630/05	16	30	.02	20,000	CC2F
1015/05	18	21	.06	3,000	CC2F
1127/05	18	26	.06	8,000	C2F
1182/05	18	26	.15	2,000	C2F
1242/05	24	20	.06	4,000	CC2F
1240/05	24	24	.15	4,000	CC2F
1071/05	24	40	.12	12,000	CC2F
1020/05	28	20	.03	6,000	CC2F
1132/05	28	20	.05	6,000	CC2F
1222/05	28	20	.10	4,000	CC2F
1280/05	28	24	.15	6,000	CC2F
1044/05	28	40	.36	3,000	CC2F
1049/05	36	20	.15	3,000	CC2F

BI - PIN 4.25 x 15.2mm PIN SPACING 2.54mm T-1¹/₄

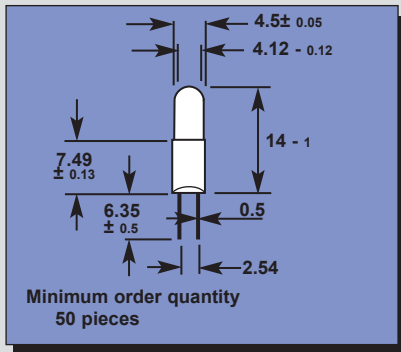
Order Code	Volts	mA	Light Output M.S.C.P.	Average Life Hours	Fil Form
5306/08	1.3	30	.005	1,000	S2
5736/08	1.35	60	.010	2,500	C6
5154/08	1.5	150	.025	7,500	C2R
5025/08	2.5	120	.022	10,000	C2R
5307/08	2.5	400	.55	800	C2R
5277/08	2.7	60	.04	5,000	C2R
5331/08	3	30	.02	4,000	C6
5921/08	3	40	.03	4,000	C6
5008/08	3	100	.15	1,500	C6
5737/08	3	190	.25	3,000	C2R
5451/08	4	50	.02	20,000	C6
5454/08	4	100	.10	20,000	C2R
5430/08	4	300	.10	80,000	C2R
5455/08	4.5	25	.014	10,000	C6
5521/08	5	20	.003	20,000	C6
5531/08	5	20	.015	4,000	C6
1093BP	5	25	.024	1,000	C2R
5926/08	5	30	.03	5,000	C6
5835/08	5	30	.06	700	C6
5580/08	5	60	.03	100,000	C2R
5683/08	5	60	.05	100,000	C2R
7583	5	60	.05	25,000	C2R
5009/08	5	60	.16	800	C2R
5933/08	5	75	.09	40,000	C2R
5927/08	5	80	.10	30,000	C2R
5615/08	5	115	.15	40,000	C2R
5929/08	5	120	.20	10,000	C2R
5959/08	6	20	.015	6,000	C6
5629/08	6	30	.018	15,000	C6
5633/08	6	30	.06	1,500	C6
5645/08	6	35	.012	25,000	CC6
5760/08	6	40	.03	15,000	C2R
5651/08	6	50	.06	15,000	C2R
5662/08	6	60	.05	50,000	C2R
5309/08	6	60	.12	8,000	C2R
7309	6	60	.13	3,000	C2R
5932/08	6	70	.065	40,000	C2R
5681/08	6	80	.07	60,000	C2R
5928/08	6	100	.10	60,000	C2R
5934/08	6	200	.36	16,000	C2R
7310	6	200	.55	5,000	C2R
5728/08	6	200	.60	3,000	C2R
7628	6	200	.63	1,000	C2R
5647/08	6.3	40	.03	15,000	C2R
5310/08	6.3	200	.55	5,000	C2R
7310	6.3	200	.55	5,000	C2R
5010/08	6.3	240	.40	20,000	C2R
5311/08	10	15	.003	30,000	C2F
5102/08	10	20	.003	40,000	C2F
5041/08	10	40	.080	7,500	C2F
5110/08	10	100	.20	35,000	C2F
5124/08	12	20	.007	20,000	C2F
5125/08	12	20	.03	7,000	C2F
5132/08	12	30	.02	20,000	C2F
5137/08	12	30	.05	7,500	C2F
747BP	12	30	.06	3,000	C2V
5112/08	12	30	.10	2,000	C2F
5236/08	12	35	.05	10,000	C2F
5162/08	12	40	.03	25,000	C2F

Continued on next page



MICRO, SUB-MINIATURE & MINIATURE

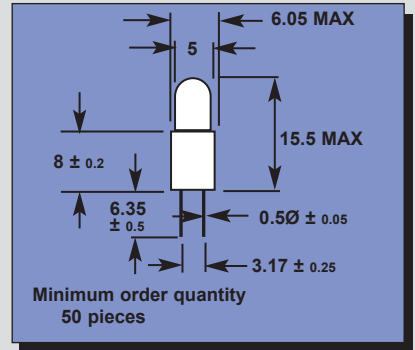
BI - PIN 4.25 x 15.2mm PIN SPACING 2.54mm T-1¹/₄



Order Code	Volts	mA	Light Output M.S.C.P.	Average Life Hours	Fil Form
5901/08	12	40	.08	12,000	C2F
5141/08	12	40	.10	6,000	CC2R
5151/08	12	50	.05	25,000	C2F
5403/08	12	50	.12	10,000	C2F
1090BP	12	50	.12	5,000	C2F
5268/08	12	60	.15	20,000	C2F
5120/08	12	80	.20	25,000	C2F
754B	12	80	.36	1,000	C2F
5938/08	12	100	.29	30,000	C2F
5379/08	12	120	.25	60,000	C2F
5012/08	13.5	30	.06	6,000	CC2F
5146/08	14	40	.10	8,000	C2F
5195/08	14	50	.05	30,000	C2F
5169/08	14	65	.16	15,000	C2F
5101/08	14	75	.25	15,000	C2F
5158/08	14	80	.20	30,000	C2F
5517/08	14	80	.30	18,000	C2F
5746/08	14	80	.50	2,000	C2F
7646	14	80	.50	1,000	C2F
5164/08	16	30	.034	12,000	C2F
5188/08	16	40	.10	10,000	C2F
5170/08	16	50	.20	8,000	C2F
5931/08	16	60	.185	12,000	C2F
5937/08	18	25	.065	5,000	C2F
1098BP	18	26	.12	2,000	C2F
5175/08	18	40	.15	7,000	C2F
5192/08	19	40	.10	12,000	C2F
5159/08	19	40	.25	3,000	C2F
5182/08	19	50	.25	6,000	C2F
5202/08	20	20	.05	5,000	CC2F
5247/08	24	20	.03	6,000	CC2F
5257/08	24	20	.06	4,000	C2F
5003/08	24	30	.09	7,000	C2F
5232/08	24	35	.10	10,000	CC2F
5242/08	24	35	.15	7,000	C2F
1091BP	24	35	.15	7,500	C2F
5245/08	24	40	.15	10,000	C2F
5254/08	24	50	.18	10,000	CC2F
5924/08	24	50	.24	8,000	C2F
5535/08	24	50	.5	1,000	C2F
5529/08	24	80	.5	15,000	C2F
5930/08	28	24	.15	6,000	C2F
1092BP	28	24	.15	2,500	C2F
5283/08	28	25	.08	7,500	CC2F
5016/08	28	35	.10	18,000	CC2F
5588/08	28	40	.15	25,000	C2F
5508/08	28	40	.20	12,000	C2F
5280/08	28	40	.24	10,000	C2F
5732/08	28	40	.34	5,000	C2F
7632	28	40	.32	1,000	C2F
5037/08	28	45	.30	10,000	C2F
5920/08	30	20	.08	5,000	CC2F
5923/08	30	40	.24	10,000	CC2F
5538/08	32	33	.12	10,000	CC2F
5834/08	32	33	.34	3,000	C2F
5363/08	36	20	.08	5,000	CC2F
5915/08	36	20	.10	4,000	CC2F
5941/08	36	35	.22	8,000	CC2F
5925/08	48	20	.13	4,000	CC2F
5004/08	48	20	.20	2,500	CC2F
5483/08	48	25	.20	4,000	CC2F
5939/08	60	15	.10	2,000	CC2F
5960/08	60	20	.16	4,000	CC2F
5001/08	60	20	.30	1,000	CC2F

BI - PIN 5.3 x 14.7mm PIN SPACING 3.17mm T-1^{1/2}

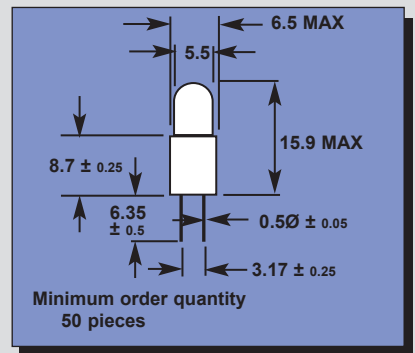
Order Code	Volts	mA	Light Output M.S.C.P.	Average Life Hours	Fil Form
673BP	6	55	.08	10,000	C2R
679BP	12	83	.19	10,000	C2V
690BP	14	37	.13	5,000	C2F
688BP	28	40	.36	4,000	C2F



BI - PIN 5.84 x 15.87mm PIN SPACING 3.17mm T-1^{3/4}

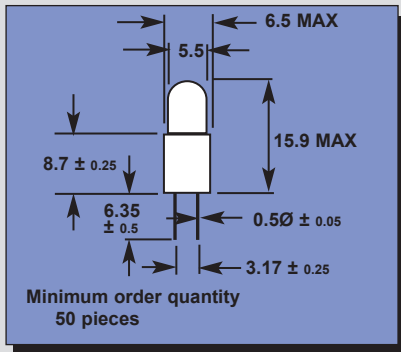
Order Code	Volts	mA	Light Output M.S.C.P.	Average Life Hours	Fil Form
7931/05	1.35	60	.010	2,500	C6
7015/05	1.35	70	.022	1,000	C6
7968/05	2.5	200	.25	2,000	C6
7868/05	2.5	350	.20	15,000	C2R
7838/05	2.7	60	.04	5,000	C6
7375/05	3	15	.003	5,000	C6
7358/05	3	30	.02	4,000	C6
7063/05	3	40	.03	4,000	C6
7103/05	4	250	.20	25,000	C2R
7068/05	4	300	.55	1,500	C6
7118/05	4.5	120	.05	60,000	C2R
7177/05	5	17	.02	1,000	C6
7097/05	5	20	.003	20,000	C2R
7098/05	5	20	.015	4,000	C6
7064/05	5	30	.03	5,000	C6
7075/05	5	40	.025	12,000	C2R
783BP	5	60	.03	100,000	C2R
7361/05	5	60	.05	100,000	C2R
7061/05	5	60	.15	5,000	C6
7217/05	5	75	.09	40,000	C2R
7362/05	5	115	.15	40,000	C6
7362	5	115	.15	20,000	C2R
7055/05	5	230	.60	2,000	C6
7022/05	5	250	.35	15,000	C2R
7945/05	6	40	.03	15,000	C2R
7188/05	6	60	.13	5,000	C2R
7673/05	6	70	.08	30,000	CC6
7208/05	6	100	.12	40,000	C2R
7168/05	6	125	.35	4,000	C2R
7111/05	6	150	.50	1,500	C2R
7357/05	6	180	.30	20,000	C2R
7080/05	6	200	.10	100,000	C2F
7328/05	6	200	.60	3,000	C2R
7086/05	6.3	40	.01	25,000	C2R
7380/05	6.3	40	.02	25,000	C2R
7377/05	6.3	75	.15	10,000	C2R
7029/05	6.3	150	.50	2,000	C2R
7381/05	6.3	200	.40	15,000	C2R
7349/05	6.3	200	.55	5,000	C2R
7060/05	6.5	150	.20	15,000	C2R

Continued on next page



MICRO, SUB-MINIATURE & MINIATURE

BI - PIN 5.84 x 15.87mm PIN SPACING 3.17mm T-1^{3/4}

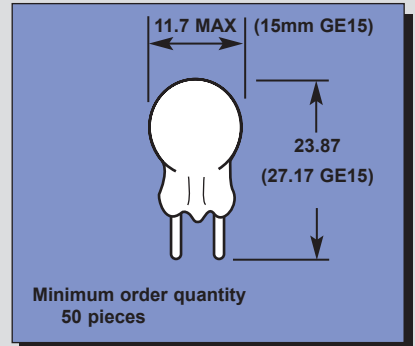


Order Code	Volts	mA	Light Output M.S.C.P.	Average Life Hours	Fil Form
7344/05	10	15	.003	30,000	C2F
7127/05	10	27	.10	1,000	CC6
7367/05	10	40	.08	7,500	CC2R
7213/05	12	20	.007	20,000	C2F
7214/05	12	20	.03	6,000	C2F
7371/05	12	40	.10	6,000	CC2R
7614/05	12	60	.15	20,000	C2F
7065/05	12	75	.20	20,000	C2F
7123/05	12	100	.30	30,000	C2F
7006/05	12	100	.40	10,000	C2F
7179/05	12	120	.25	60,000	C2F
7140/05	14	50	.08	16,000	C2F
7170/05	14	80	.20	30,000	C2F
382BP	14	80	.30	12,000	C2F
7330/05	14	80	.50	2,000	C2F
7373/05	14	100	.40	16,000	C2F
7144/05	16	30	.034	12,000	C2F
7040/05	18	30	.05	10,000	C2F
7370/05	18	40	.15	7,000	C2F
7197/05	19	40	.10	12,000	C2F
7459/05	22	40	.30	1,500	C2F
7252/05	24	20	.03	6,000	CC2F
7253/05	24	20	.06	4,000	C2F
7243/05	24	25	.07	7,000	CC2F
7073/05	24	28	.03	15,000	CC2F
7201/05	24	35	.15	7,000	C2F
7440/05	24	40	.25	5,000	C2F
7530/05	24	50	.18	10,000	CC2F
7238/05	24	50	.50	1,000	C2F
7249/05	24	80	.50	15,000	C2F
7172/05	28	24	.15	6,000	C2F
7283/05	28	25	.08	7,500	CC2F
7046/05	28	30	.20	6,000	C2F
7105/05	28	30	.25	2,500	C2F
7317/05	28	35	.10	18,000	C2F
387BP	28	40	.30	25,000	C2F
7327/05	28	40	.34	5,000	C2F
7876/05	28	60	.34	20,000	C2F
7376/05	28	65	.60	8,000	C2F
7298/05	28	80	.72	10,000	C2F
7225/05	32	33	.34	3,000	C2F
7359/05	36	20	.08	5,000	CC2F
7010/05	36	30	.30	2,500	C2F
7480/05	48	20	.20	2,500	CC2F
7461BP	48	25	.20	25,000	CC2F
7485/05	48	25	.20	4,000	CC2F
7020/05	48	30	.15	8,000	CC2F
7036/05	48	30	.30	4,000	CC2F
7173/05	48	40	.34	8,000	CC2F
7014/05	60	20	.15	5,000	CC2F
7476BP	60	20	.10	25,000	C2F
7601/05	60	20	.30	1,000	CC2F
7606/05	60	30	.60	1,000	CC2F

MICRO, SUB-MINIATURE & MINIATURE

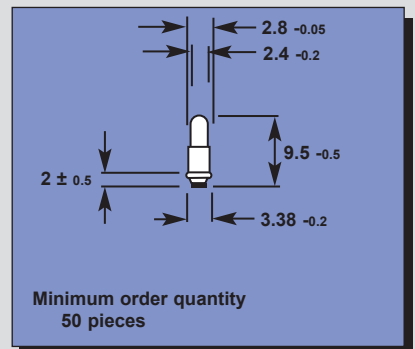
MINIATURE 2 PIN (US TYPE) G3¹/₂ & G4¹/₂

Order Code	Volts	mA	Light Output M.S.C.P.	Average Life Hours	Fil Form
GE10	2.5	500	.50	3,000	C6
GE12	6.3	150	.35	5,000	C6
GE612	6.3	250	.66	5,000	C6
GE15	7.0	400	.56	500	C6
GE19	14.4	100	.90	1,000	C6



MICRO - MIDGET FLANGE 2.5 x 9mm CAP. T-3/4

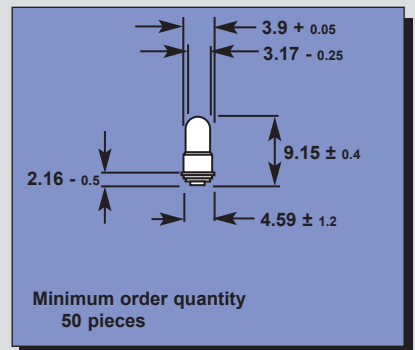
Order Code	Volts	mA	Light Output M.S.C.P.	Average Life Hours	Fil Form
4040/06	2	50	.03	2,000	C6
4064/06	5	60	.03	100,000	C2R
4115/06	5	115	.15	40,000	CC6
4024/06	6	50	.03	80,000	C2V
4025/06	12	50	.07	16,000	CC2V
4023/06	12	50	.12	10,000	C2F
4044/06	14	30	.018	16,000	CC2V
4036/06	16	30	.02	16,000	CC2V
4022/06	24	20	.035	10,000	CC2F
4030/06	28	20	.05	10,000	CC2F



SUB - MIDGET FLANGE 9.5 x 3.9mm T-1 Sx3s

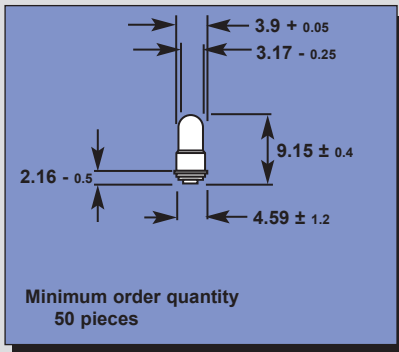
Order Code	Volts	mA	Light Output M.S.C.P.	Average Life Hours	Fil Form
1040/04	1.5	65	.01	5,000	C6
1003/04	2.5	65	.04	4,000	C6
1025/04	2.5	100	.08	2,500	C6
1056/04	2.7	300	.29	6,000	C2R
1005/04	3	12	.002	2,000	C6
1330/04	3	30	.024	2,500	C2R
1350/04	3	50	.024	12,000	C2R
1055/04	3	120	.015	2,000	C2R
1007/04	5	15	.015	1,200	C6
1522/04	5	20	.003	20,000	C2R
1123/04	5	20	.015	4,000	C6
1034/04	5	20	.025	1,200	C6
1525/04	5	20	.034	500	C6
1530/04	5	30	.03	5,000	C6

Continued on next page



MICRO, SUB-MINIATURE & MINIATURE

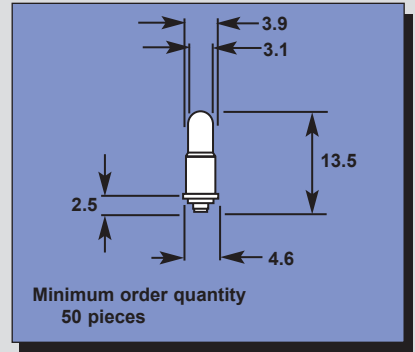
SUB - MIDGET FLANGE 9.5 x 3.9mm T-1 Sx3s



Order Code	Volts	mA	Light Output M.S.C.P.	Average Life Hours	Fil Form
1126/04	5	40	.025	12,000	CC6
1540/04	5	40	.10	500	C2R
1045/04	5	45	.06	8,000	CC6
1680/04	5	60	.03	100,000	CC2R
1600/04	5	60	.05	100,000	CC2R
685	5	60	.05	100,000	C2R
1006/04	5	60	.05	8,000	CC2R
1206/04	5	60	.15	5,000	C2R
1751/04	5	75	.09	40,000	C2R
1750/04	5	75	.09	40,000	CC6
1752/04	5	80	.12	12,000	CC2R
1150/04	5	115	.15	40,000	CC6
718	5	115	.15	40,000	C2R
1038/04	5	125	.22	8,000	C2R
1088/04	5	140	.20	20,000	CC6
1640/04	6	40	.04	10,000	C2R
3094	6	40	.05	25,000	C2R
1650/04	6	50	.03	25,000	C2R
1660/04	6	60	.05	50,000	CC2R
1198/04	6	60	.13	5,000	C2R
1670/04	6	70	.09	20,000	CC2R
1043/04	6	115	.15	40,000	C2R
1160/04	6	115	.15	40,000	CC6
1171/04	10	27	.10	1,000	C2F
1220/04	12	20	.02	8,000	C2F
1041/04	12	25	.10	1,000	CC6
1230/04	12	30	.03	12,000	C2F
1030/04	12	30	.10	2,000	C2F
1250/04	12	50	.12	10,000	C2F
32	12	60	.15	16,000	C2F
1286/04	12	80	.20	25,000	C2F
1064/04	14	20	.045	3,000	C2F
1012/04	14	40	.03	25,000	CC2F
1440/04	14	40	.10	8,000	C2F
1122/04	14	65	.15	16,000	CC2F
1176/04	14	65	.25	6,000	C2F
1620/04	16	20	.04	5,000	C2F
1630/04	16	30	.02	20,000	CC2F
1015/04	18	21	.06	3,000	CC2F
1127/04	18	26	.06	8,000	C2F
1182/04	18	26	.15	2,000	C2F
1242/04	24	20	.06	4,000	CC2F
3092	24	20	.025	25,000	CC2F
1240/04	24	24	.15	4,000	CC2F
1020/04	28	20	.03	6,000	CC2F
1132/04	28	20	.05	6,000	CC2F
1222/04	28	20	.10	4,000	CC2F
6839	28	24	.15	5,000	CC2F
1044/04	28	40,	.36	3,000	CC2F
1049/04	36	20	.15	5,000	CC2F
NSMF/65	65	1		25,000	Neon
NSMF/85	85	1		25,000	Neon

SUB - MIDGET FLANGE 3.9 x 13.5mm CAP. T-1 LONG SX3S

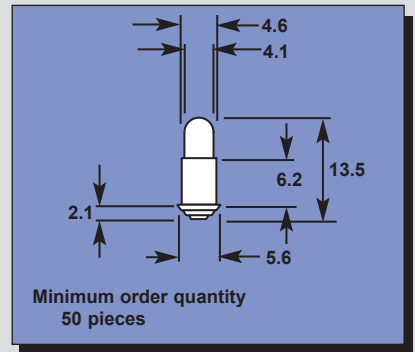
Order Code	Volts	mA	Light Output M.S.C.P.	Average Life Hours	Fil Form
1521/07	5	20	.003	40,000	C2R
1520/07	5	20	.015	7,000	C6
1602/07	5	60	.05	50,000	C2R
1151/07	5	115	.15	35,000	C2R
1266/07	6	70	.09	40,000	CC2R
1284/07	6	200	.50	2,500	C2R
1281/07	12	20	.04	6,000	C2F
1612/07	12	60	.15	10,000	C2F
1285/07	12	100	.30	8,000	C2F
1282/07	24	20	.025	12,000	CC2F
1223/07	28	22	.06	10,000	CC2F
1273/07	28	24	.08	10,000	CC2F
1014/07	28	40	.34	4,000	C2F
1360/07	36	20	.15	5,000	CC2F



SPECIAL - MIDGET BASE 4.7 x 13mm SM 5s/8 T-1¹/₄

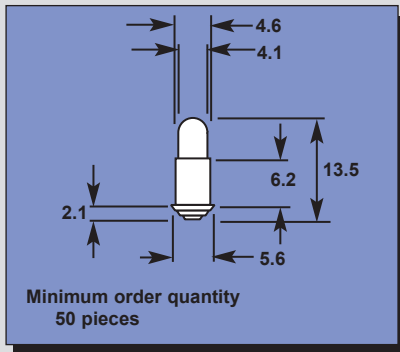
Order Code	Volts	mA	Light Output M.S.C.P.	Average Life Hours	Fil Form
5302/04	1.3	30	.005	1,000	S2
5636/04	1.35	60	.01	2,500	C6
5155/04	1.5	150	.025	7,500	C2R
5025/04	2.5	120	.022	10,000	C2R
5656/04	2.5	400	.55	800	C2R
5278/04	2.7	60	.04	5,000	C2R
5332/04	3	30	.02	4,000	C6
5921/04	3	40	.03	4,000	C6
5008/04	3	100	.15	1,500	C6
5637/04	3	190	.25	3,000	C2R
5452/04	4	50	.02	20,000	C6
5410/04	4	100	.10	20,000	C2R
5401/04	4	300	.10	80,000	C2R
5455/04	4.5	25	.014	10,000	C6
5522/04	5	20	.003	20,000	C6
5532/04	5	20	.015	4,000	C6
5926/04	5	30	.03	5,000	C6
5835/04	5	30	.06	700	C6
5580/04	5	60	.03	100,000	C2R
5585/04	5	60	.05	100,000	C2R
5009/04	5	60	.16	800	C2R
5933/04	5	75	.09	40,000	C2R
5927/04	5	80	.10	30,000	C2R
5518/04	5	115	.15	40,000	C2R
5929/04	5	120	.20	10,000	C2R
5959/04	6	20	.015	6,000	C6
5639/04	6	30	.018	15,000	C6
5638/04	6	30	.06	1,500	C6
5665/04	6	35	.012	25,000	CC6
5660/04	6	40	.03	15,000	C2R
5652/04	6	50	.06	15,000	C2R
5663/04	6	60	.05	50,000	C2R
5541/04	6	60	.12	8,000	C2R

Continued on next page



MICRO, SUB-MINIATURE & MINIATURE

SPECIAL - MIDGET BASE 4.7 x 13mm SM 5s/8 T-1¹/₄

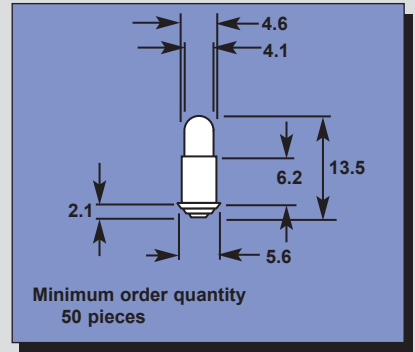


Order Code	Volts	mA	Light Output M.S.C.P.	Average Life Hours	Fil Form
5932/04	6	70	.065	40,000	C2R
5682/04	6	80	.07	60,000	C2R
5928/04	6	100	.10	60,000	C2R
5934/04	6	200	.36	16,000	C2R
5628/04	6	200	.60	3,000	C2R
5648/04	6.3	40	.03	15,000	C2R
5010/04	6.3	240	.40	20,000	C2R
5551/04	6.3	200	.55	5,000	C2R
5609/04	10	15	.003	30,000	C2F
5102/04	10	20	.003	40,000	C2F
5042/04	10	40	.08	7,500	C2F
5103/04	10	100	.20	35,000	C2F
5126/04	12	20	.007	20,000	C2F
5127/04	12	20	.02	7,000	C2F
5133/04	12	30	.02	7,500	C2F
5138/04	12	30	.05	7,500	C2F
5113/04	12	30	.10	2,000	CC6
5237/04	12	35	.05	10,000	C2F
5171/04	12	40	.03	25,000	C2F
5901/04	12	40	.08	12,000	C2F
5142/04	12	40	.10	6,000	CC2R
5152/04	12	50	.05	25,000	C2F
5404/04	12	50	.12	10,000	C2F
5269/04	12	60	.15	20,000	C2F
5121/04	12	80	.20	25,000	C2F
5938/04	12	100	.29	30,000	C2F
5012/04	13.5	30	.06	6,000	CC2F
5147/04	14	40	.10	8,000	C2F
5196/04	14	50	.05	30,000	C2F
5167/04	14	65	.16	15,000	C2F
5107/04	14	75	.25	15,000	C2F
5168/04	14	80	.20	3,000	C2F
5517/04	14	80	.30	18,000	C2F
5646/04	14	80	.50	2,000	C2F
5165/04	16	30	.034	12,000	C2F
5189/04	16	40	.10	10,000	C2F
5180/04	16	50	.20	8,000	C2F
5931/04	16	60	.185	12,000	C2F
5937/04	18	25	.065	5,000	C2F
5176/04	18	40	.15	7,000	C2F
5193/04	19	40	.10	12,000	C2F
5116/04	19	40	.25	3,000	C2F
5183/04	19	50	.25	6,000	C2F
5202/04	20	20	.05	5,000	CC2F
5248/04	24	20	.03	6,000	CC2F
5258/04	24	20	.06	4,000	C2F
5003/04	24	30	.09	7,000	C2F
5231/04	24	35	.10	10,000	CC2F
5241/04	24	35	.15	7,000	C2F
5246/04	24	40	.15	10,000	C2F
5255/04	24	50	.18	10,000	CC2F
5924/04	24	50	.24	8,000	C2F
5535/04	24	50	.50	1,000	C2F
5529/04	24	80	.50	15,000	C2F
5930/04	28	24	.15	6,000	C2F
5284/04	28	25	.08	7,500	CC2F

Continued on next page

SPECIAL - MIDGET BASE 4.7 x 13mm SM 5s/8 T-1¹/₄

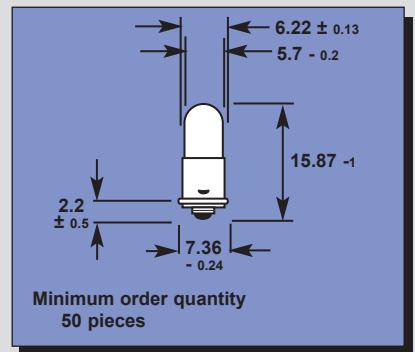
Order Code	Volts	mA	Light Output M.S.C.P.	Average Life Hours	Fil Form
5016/04	28	35	.10	18,000	CC2F
5588/04	28	40	.15	25,000	C2F
5508/04	28	40	.20	12,000	C2F
5280/04	28	40	.24	10,000	C2F
5632/04	28	40	.34	5,000	C2F
5037/04	28	45	.30	10,000	C2F
5920/04	30	20	.08	5,000	CC2F
5923/04	30	40	.24	10,000	CC2F
5538/04	32	33	.12	10,000	CC2F
5834/04	32	33	.34	3,000	CC2F
5364/04	36	20	.08	5,000	CC2F
5915/04	36	20	.10	4,000	CC2F
5941/04	36	35	.22	8,000	CC2F
5925/04	48	20	.13	4,000	CC2F
5004/04	48	20	.20	2,500	CC2F
5484/04	48	25	.20	4,000	CC2F
5939/04	60	15	.10	2,000	CC2F
5960/04	60	20	.30	4,000	CC2F
5001/04	60	20	.30	1,000	CC2F



MIDGET FLANGE (6 S/8) 6.35 x 15.9mm T-1³/₄

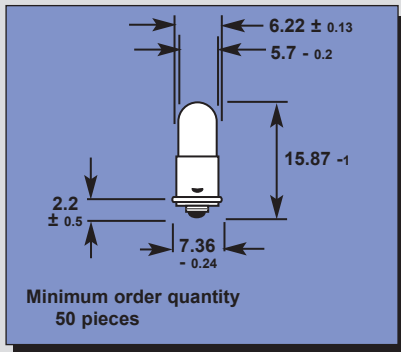
Order Code	Volts	mA	Light Output M.S.C.P.	Average Life Hours	Fil Form
7331/04	1.35	60	.01	2,500	C6
7015/04	1.35	70	.022	1,000	C6
7368/04	2.5	200	.25	2,000	C6
7268/04	2.5	350	.20	15,000	C2R
7338/04	2.7	60	.04	5,000	C6
7315/04	3	15	.003	5,000	C6
7329/04	3	30	.02	4,000	C6
7063/04	3	40	.03	4,000	C6
7103/04	4	250	.20	25,000	C2R
7068/04	4	300	.55	1,500	C6
7118/04	4.5	120	.05	60,000	C2R
7175/04	5	17	.02	1,000	C6
7205/04	5	20	.003	20,000	C2R
7206/04	5	20	.015	4,000	C6
7064/04	5	30	.03	5,000	C6
7075/04	5	40	.025	12,000	C2R
7332/04	5	60	.03	100,000	C2R
7333/04	5	60	.05	100,000	C2R
7061/04	5	60	.15	5,000	C6
7217/04	5	75	.09	40,000	C2R
7335/04	5	115	.15	40,000	C6
7055/04	5	230	.60	2,000	C6
7022/04	5	250	.35	15,000	C2R
345	6	40	.03	25,000	C2R
7188/04	6	60	.13	5,000	C2R
7671/04	6	70	.08	30,000	CC6
MF/6/100	6	100	.12	5,000	C2R

Continued on next page



MICRO, SUB-MINIATURE & MINIATURE

MIDGET FLANGE (6 S/8) 6.35 x 15.9mm T-1³/₄

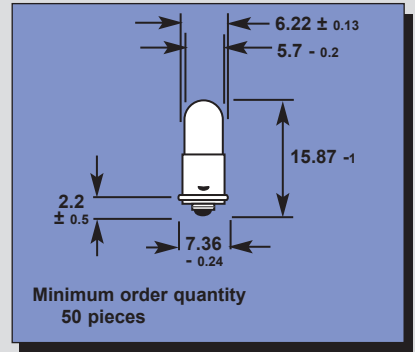


Order Code	Volts	mA	Light Output M.S.C.P.	Average Life Hours	Fil Form
7168/04	6	125	.35	4,000	C2R
7111/04	6	150	.50	1,500	C2R
7357/04	6	180	.30	20,000	C2R
7080/04	6	200	.100	100,000	C2F
7620/04	6	200	.60	3,000	C2R
328	6	200	.63	1,000	C2R
7634/04	6.3	40	.02	25,000	C2R
380	6.3	40	.02	20,000	C2V
7637/04	6.3	75	.15	10,000	C2R
7029/04	6.3	150	.50	2,000	C2R
7633/04	6.3	200	.40	15,000	C2R
381	6.3	200	.40	20,000	C2R
7632/04	6.3	200	.55	5,000	C2R
7060/04	6.5	150	.20	15,000	C2R
344	10	14	.002	10,000	C2F
7101/04	10	15	.003	50,000	C2F
7127/04	10	27	.10	1,000	CC6
7104/04	10	40	.08	7,500	CC2R
7202/04	12	20	.007	20,000	C2F
7204/04	12	20	.03	6,000	C2F
7394/04	12	40	.10	6,000	CC2R
7612/04	12	60	.15	20,000	C2F
7065/04	12	75	.20	20,000	C2F
740	12	100	.32	20,000	C2V
MF/12/100	12	100	.40	5,000	C2V
7179/04	12	120	.25	60,000	C2F
733	14	40	.13	5,000	C2F
7140/04	14	50	.08	16,000	C2F
7151/04	14	80	.20	30,000	C2F
382	14	80	.30	15,000	C2F
7148/04	14	80	.50	2,000	C2F
7918/04	14	100	.40	16,000	C2F
7142/04	16	30	.034	12,000	C2F
7040/04	18	30	.05	10,000	C2F
7184/04	18	40	.15	7,000	C2F
370	18	40	.15	10,000	C2F
7195/04	19	40	.10	12,000	C2F
7224/04	22	40	.30	1,500	C2F
7246/04	24	20	.03	6,000	CC2F
7247/04	24	20	.06	4,000	C2F
7025/04	24	25	.07	7,000	CC2F
7073/04	24	28	.03	15,000	CC2F
7233/04	24	35	.15	7,000	C2F
21851	24	40	.25	2,000	C2F
7523/04	24	50	.18	10,000	CC2F
7236/04	24	50	.50	1,000	C2F
3226	24	60		1,000	C2F
7026/04	24	80	.50	15,000	C2F
21875	28	20	.10	1,000	C2F
7172/04	28	24	.15	6,000	C2F
7027/04	28	25	.08	7,500	CC2F
7046/04	28	30	.20	6,000	C2F
7105/04	28	30	.25	2,500	C2F
7317/04	28	35	.10	18,000	C2F

Continued on next page

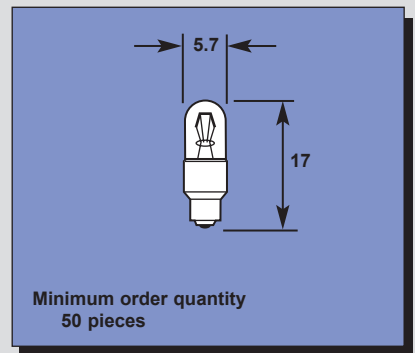
MIDGET FLANGE (6 S/8) 6.35 x 15.9mm T-1^{3/4}

Order Code	Volts	mA	Light Output M.S.C.P.	Average Life Hours	Fil Form
7385/04	28	40	.15	25,000	C2F
7209/04	28	40	.20	12,000	C2F
387	28	40	.30	25,000	C2F
7284/04	28	40	.34	5,000	C2F
7339/04	28	60	.34	20,000	C2F
7341/04	28	65	.60	8,000	C2F
7296/04	28	80	.72	10,000	C2F
21865	28	80	.80	1,000	C2F
7031/04	32	33	.34	3,000	CC2F
7363/04	36	20	.08	5,000	CC2F
7008/04	36	30	.30	2,500	C2F
21874	48	20	.20	2,000	CC2F
MF/48/25	48	25	.20	5,000	CC2F
7018/04	48	30	.15	8,000	CC2F
7034/04	48	30	.30	4,000	CC2F
7173/04	48	40	.34	8,000	CC2F
MF/60/20	60	20	.15	7,000	CC2F
7609/04	60	20	.30	1,000	CC2F
7604/04	60	30	.60	1,000	CC2F
NMF/65	65	2		10,000	Neon
NMF/85	85	2		10,000	Neon
NMF/110	110	2		10,000	Neon
NMF/220	220	2		10,000	Neon



T-1^{3/4} WEDGE BAYONET 5.7 x 17mm T-1^{3/4}

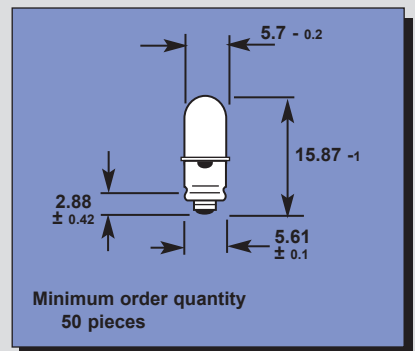
Order Code	Volts	mA	Watts	Average Life Hours	Fil Form
MB/63/200	6.3	200	1.26	20,000	C2F
MB/14/50	14	50	.7	5,000	C2F
MB/14/80	14	80	1.12	15,000	C2F
MB/18/50	18	50	.9	5,000	C2F
MB/24/50	24	50	1.2	2,000	C2F
MB/28/20	28	20	.56	10,000	C2F
MB/28/40	28	40	1.12	7,000	C2F
MB/60/20	60	20	1.20	5,000	CC2F



MIDGET GROOVE (S5.7s) 5.85 x 15.9mm T-1^{3/4}

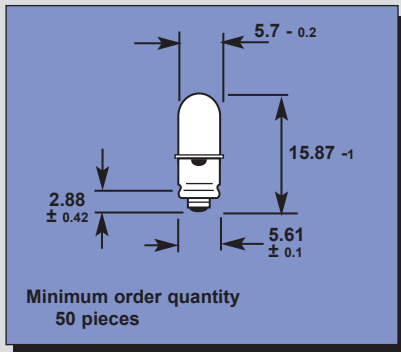
Order Code	Volts	mA	Light Output M.S.C.P.	Average Life Hours	Fil Form
7698/07	1.35	60	.01	2,500	C6
7015/07	1.35	70	.022	1,000	C6
7699/07	2.5	200	.25	2,000	C6
7266/07	2.5	350	.20	15,000	C2R
7704/07	2.7	60	.04	5,000	C6
7390/07	3	15	.003	5,000	C6
7343/07	3	30	.02	4,000	C6
7063/07	3	40	.03	4,000	C6

Continued on next page



MICRO, SUB-MINIATURE & MINIATURE

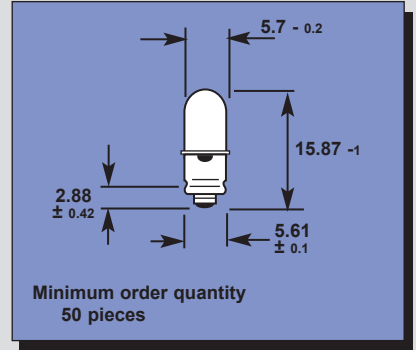
MIDGET GROOVE (S5.7s) 5.85 x 15.9mm T-1^{3/4}



Order Code	Volts	mA	Light Output M.S.C.P.	Average Life Hours	Fil Form
7103/07	4	250	.20	25,000	C2R
7068/07	4	300	.55	1,500	C2R
7118/07	4.5	120	.05	60,000	C2R
7176/07	5	17	.02	1,000	C6
7095/07	5	20	.003	20,000	C2R
7096/07	5	20	.015	4,000	C6
7064/07	5	30	.03	5,000	C6
7075/07	5	40	.025	12,000	C2R
7124/07	5	60	.03	100,000	C2R
7347/07	5	60	.05	100,000	C2R
7061/07	5	60	.15	5,000	C6
7217/07	5	75	.09	40,000	C2R
7348/07	5	115	.15	40,000	C6
7055/07	5	230	.60	2,000	C6
7022/07	5	250	.35	15,000	C2R
7640/07	6	40	.03	15,000	C2R
8705	6	40	.03	10,000	C2R
7188/07	6	60	.13	5,000	C2R
7672/07	6	70	.08	30,000	CC6
21909	6	100	.20	1,000	C2R
7208/07	6	100	.12	40,000	C2R
7611/07	6	125	.35	4,000	C2R
7616/07	6	150	.50	1,500	C2R
7357/07	6	180	.30	20,000	C2R
7080/07	6	200	.10	100,000	C2F
337	6	200	.60	1,000	C2R
7351/07	6.3	40	.02	25,000	C2R
7708/07	6.3	75	.15	10,000	C2R
7029/07	6.3	150	.50	2,000	C2R
7379/07	6.3	200	.40	15,000	C2R
21914	6.3	200	.40	20,000	C2R
7086/07	6.3	40	.01	25,000	C2R
7398/07	6.3	200	.55	5,000	C2R
7060/07	6.5	150	.20	15,000	C2R
7709/07	10	15	.003	30,000	C2F
7127/07	10	27	.10	1,000	CC6
7397/07	10	40	.08	7,500	CC2R
7211/07	12	20	.007	20,000	C2F
7212/07	12	20	.03	6,000	C2F
7354/07	12	40	.10	6,000	CC2R
7613/07	12	60	.15	20,000	C2F
7113/07	12	75	.20	20,000	C2F
7006/07	12	100	.40	10,000	C2F
MG/12/100	12	100	.30	7,000	C2F
7179/07	12	120	.25	6,000	C2F
7044/07	14	50	.08	15,000	C2F
7675/07	14	80	.20	30,000	C2F
386	14	80	.30	50,000	C2F
7336/07	14	80	.5	2,000	C2F
7393/07	14	100	.40	16,000	C2F
7143/07	16	30	.034	12,000	C2F
7040/07	18	30	.05	10,000	C2F
7346/07	18	40	.15	7,000	C2F
7196/07	19	40	.10	12,000	C2F
7457/01	22	40	.30	1,500	C2F
Continued on next page					

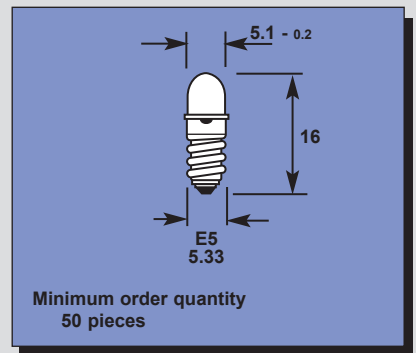
MIDGET GROOVE (S5.7s) 5.85 x 15.9mm T-1³/₄

Order Code	Volts	mA	Light Output M.S.C.P.	Average Life Hours	Fil Form
7250/07	24	20	.03	6,000	CC2F
7251/07	24	20	.06	4,000	C2F
7305/07	24	25	.07	7,000	CC2F
7073/07	24	28	.03	15,000	CC2F
7193/07	24	35	.15	7,000	C2F
7440/07	24	40	.25	5,000	C2F
7529/07	24	50	.18	10,000	CC2F
7237/07	24	50	.50	1,000	C2F
7028/07	24	80	.50	15,000	C2F
7172/07	28	24	.15	6,000	C2F
7306/07	28	25	.08	7,500	CC2F
7281/07	28	30	.20	6,000	C2F
7105/07	28	30	.25	2,500	C2F
7317/07	28	35	.10	18,000	C2F
7355/07	28	40	.15	25,000	C2F
7210/07	28	40	.20	12,000	C2F
388	28	40	.30	25,000	C2F
7334/07	28	40	.34	5,000	C2F
7288/07	28	60	.34	20,000	C2F
7356/07	28	65	.60	8,000	C2F
7297/07	28	80	.72	10,000	C2F
7032/07	32	33	.34	3,000	CC2F
7364/07	36	20	.08	5,000	CC2F
7009/07	36	30	.30	2,500	C2F
21974	48	20	.20	2,000	CC2F
MG/48/25	48	25	.20	5,000	CC2F
7019/07	48	30	.15	8,000	CC2F
7035/07	48	30	.30	4,000	CC2F
7173/07	48	40	.34	8,000	CC2F
MG/60/20	60	20	.15	7,000	CC2F
7608/07	60	20	.30	1,000	CC2F
7605/07	60	30	.60	1,000	CC2F
NMG/85	85	2		10,000	Neon
NMG/110	110	2		10,000	Neon
NMG/220	220	2		10,000	Neon



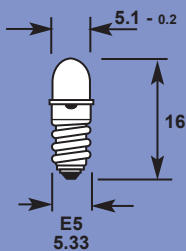
LILLIPUT EDISON SCREW 5.33 x 16mm CAP. E5 (LES) T-1¹/₂

Order Code	Volts	mA	Light Output M.S.C.P.	Average Life Hours	Fil Form
655	1.5	75	.04	30	S2
663	1.5	110	.02	1,000	C2R
6189/08	2.5	200	.25	2,000	C6
6661/08	2.5	300	.20	500	C2R
6008/08	2.5	350	.20	15,000	C2R
6278/08	2.7	70	.04	6,000	C6
6352/08	3.5	160	.08	15,000	C2R
6406/08	4	50	.02	20,000	C2R
670	4.5	60	.06	3,000	C2R
6570/08	5	60	.05	100,000	C2R
6521/08	5	115	.15	40,000	C2R
6004/08	5	300	.95	400	C2R
Continued on next page					



MICRO, SUB-MINIATURE & MINIATURE

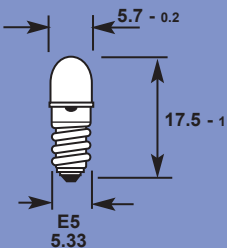
LILLIPUT EDISON SCREW 5.33 x 16mm CAP. E5 (LES) T-1 $\frac{1}{2}$



Minimum order quantity
50 pieces

Order Code	Volts	mA	Light Output M.S.C.P.	Average Life Hours	Fil Form
6604/08	6	30	.02	25,000	C6
697	6	40	.04	10,000	C2R
673	6	60	.08	5,000	C2R
6609/08	6	80	.07	60,000	C2R
6619/08	6	80	.09	35,000	C2R
6629/08	6	80	.11	20,000	C2R
6611/08	6	100	.12	40,000	C2R
6617/08	6	165	.30	15,000	C2R
6191/08	6	200	.60	3,000	C2R
1768	6	200	.60	1,000	C2R
378	6.3	200	.40	10,000	C2R
674	6.3	150	.32	2,500	C2V
676	8	150	.28	5,000	C2V
6124/08	12	30	.05	7,500	C2F
6134/08	12	30	.10	2,000	CC6
6140/08	12	40	.03	25,000	C2F
6141/08	12	40	.09	8,000	CC2R
6126/08	12	50	.12	10,000	C2F
6136/08	12	60	.15	20,000	C2F
679	12	83	.19	10,000	C2V
6002/08	12	83	.30	10,000	C2F
6139/08	12	90	.25	20,000	C2F
6122/08	12	100	.25	35,000	C2F
280	12	127	.42	5,000	C2F
690	14	40	.13	5,000	C2F
682	14	50	.24	1,000	C2F
1169	14	65	.16	10,000	C2F
373	14	80	.50	1,000	C2F
8362	14	80	.30	15,000	C2F
6254/08	16	50	.20	8,000	C2F
684	18	40	.15	10,000	C2F
6244/08	24	35	.15	7,000	C2F
687	24	40	.24	10,000	C2F
6241/08	24	40	.25	5,000	C2F
6235/08	24	50	.50	1,000	C2F
688	28	40	.36	4,000	C2F
399	28	40	.30	25,000	C2F

LILLIPUT EDISON SCREW 5.7 x 17.5mm CAP. E5 T-1 $\frac{3}{4}$



Minimum order quantity
50 pieces

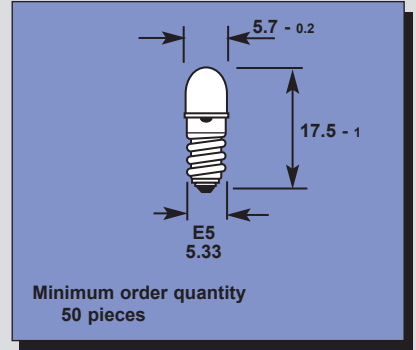
Order Code	Volts	mA	Light Output M.S.C.P.	Average Life Hours	Fil Form
7669/08	1.35	60	.01	2,500	C6
7015/08	1.35	70	.022	1,000	C6
7769/08	2.5	200	.25	2,000	C6
7312/08	2.5	350	.20	15,000	C2R
7693/08	2.7	60	.04	5,000	C6
7313/08	3	15	.003	5,000	C6
7314/08	3	30	.02	4,000	C6
7063/08	3	40	.03	4,000	C6
7106/08	4	250	.20	25,000	C2R
7068/08	4	300	.55	1,500	C6
7118/08	4.5	120	.05	60,000	C2R

Continued on next page

LILLIPUT EDISON SCREW 5.7 x 17.5mm CAP. E5 T-1³/₄

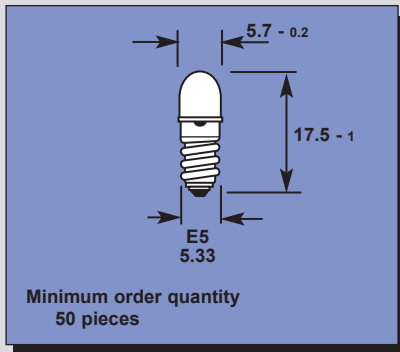
Order Code	Volts	mA	Light Output M.S.C.P.	Average Life Hours	Fil Form
7178/08	5	17	.02	1,000	C6
7099/08	5	20	.003	20,000	C2R
7100/08	5	20	.015	4,000	C6
7064/08	5	30	.03	5,000	C6
7075/08	5	40	.025	12,000	C2R
7124/08	5	60	.03	100,000	C2R
7318/08	5	60	.05	100,000	C2R
7061/08	5	60	.15	5,000	C6
7217/08	5	75	.09	40,000	C2R
7319/08	5	115	.15	40,000	C6
7055/08	5	230	.60	2,000	C6
7022/08	5	250	.35	15,000	C2R
7342/08	6	40	.03	15,000	C2R
7188/08	6	60	.13	5,000	C2R
7674/08	6	70	.08	30,000	CC6
7208/08	6	100	.12	40,000	C2R
7168/08	6	125	.35	4,000	C2R
7111/08	6	150	.50	1,500	C2R
7366/08	6	180	.30	20,000	C2R
7080/08	6	200	.10	100,000	C2F
7768/08	6	200	.60	3,000	C2R
7086/08	6.3	40	.01	25,000	C2R
7320/08	6.3	40	.02	25,000	C2R
7775/08	6.3	75	.15	10,000	C2R
7029/08	6.3	150	.50	2,000	C2R
7378/08	6.3	200	.40	15,000	C2R
7323/08	6.3	200	.55	5,000	C2R
7060/08	6.5	150	.20	15,000	C2R
7691/08	10	15	.003	30,000	C2F
7127/08	10	27	.10	1,000	CC6
7389/08	10	40	.08	7,500	CC2R
7215/08	12	20	.007	20,000	C2F
7216/08	12	20	.03	6,000	C2F
7326/08	12	40	.10	6,000	CC2R
7615/08	12	60	.15	20,000	C2F
7065/08	12	75	.20	20,000	C2F
7002/08	12	100	.30	30,000	C2F
7006/08	12	100	.40	10,000	C2F
7835/08	12	120	.25	60,000	C2F
7140/08	14	50	.08	16,000	C2F
7171/08	14	80	.20	30,000	C2F
7003/08	14	80	.30	18,000	C2F
7013/08	14	80	.50	2,000	C2F
7162/08	14	100	.40	16,000	C2F
7145/08	16	30	.034	12,000	C2F
7040/08	18	30	.05	10,000	C2F
7536/08	18	40	.15	7,000	C2F
7198/08	19	40	.10	12,000	C2F
7437/08	22	40	.30	1,500	C2F
7254/08	24	20	.03	6,000	CC2F
7255/08	24	20	.06	4,000	C2F
7244/08	24	25	.07	7,000	CC2F
7073/08	24	28	.03	15,000	CC2F
7207/08	24	35	.15	7,000	C2F
7440/08	24	40	.25	5,000	C2F
7534/08	24	50	.18	10,000	CC2F
7239/08	24	50	.50	1,000	C2F
7004/08	24	80	.50	15,000	C2F

Continued on next page



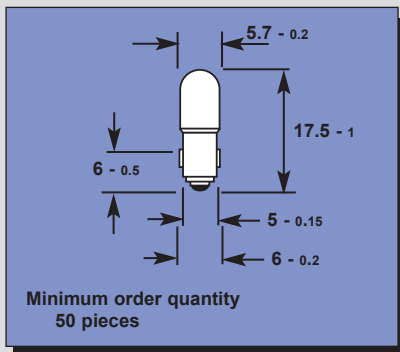
MICRO, SUB-MINIATURE & MINIATURE

LILLIPUT EDISON SCREW 5.7 x 17.5mm CAP. E5 T-1³/₄



Order Code	Volts	mA	Light Output M.S.C.P.	Average Life Hours	Fil Form
7172/08	28	24	.15	6,000	C2F
7289/08	28	25	.08	7,500	CC2F
7046/08	28	30	.20	6,000	C2F
7105/08	28	30	.25	2,500	C2F
7317/08	28	35	.10	18,000	C2F
7384/08	28	40	.15	25,000	C2F
7321/08	28	40	.20	12,000	C2F
7399/08	28	40	.30	8,000	C2F
7005/08	28	40	.34	5,000	C2F
7290/08	28	60	.34	20,000	C2F
7369/08	28	65	.60	8,000	C2F
7299/08	28	80	.72	10,000	C2F
7225/08	32	33	.34	3,000	CC2F
7365/08	36	20	.08	5,000	CC2F
7011/08	36	30	.30	2,500	C2F
7480/08	48	20	.20	2,500	CC2F
7486/08	48	25	.20	4,000	CC2F
7021/08	48	30	.15	8,000	CC2F
7037/08	48	30	.30	4,000	CC2F
7173/08	48	40	.34	8,000	CC2F
7012/08	60	20	.15	5,000	CC2F
7600/08	60	20	.30	1,000	CC2F
7607/08	60	30	.60	1,000	CC2F

TYPE R5.4 5.4 x 17.5mm CAP. Ba5s T-1³/₄

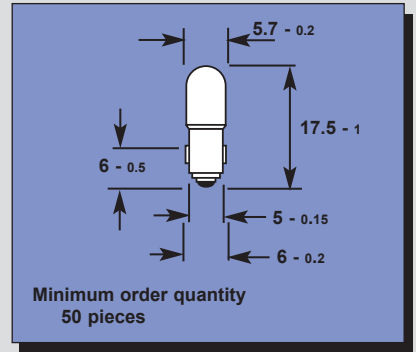


Order Code	Volts	mA	Light Output M.S.C.P.	Average Life Hours	Fil Form
7513/09	1.35	60	.01	2,500	C6
7015/09	1.35	70	.022	1,000	C6
7525/09	2.5	200	.25	2,000	C6
7526/09	2.5	350	.20	15,000	C2R
7527/09	2.7	60	.04	5,000	C6
21303	2.7	200	.22	1,000	C2R
7533/09	3	30	.02	4,000	C6
7063/09	3	40	.03	4,000	C6
7103/09	4	25	.20	25,000	C2R
7118/09	4.5	120	.05	60,000	C2R
7578/09	5	17	.02	1,000	C6
7597/09	5	20	.003	20,000	C2R
7598/09	5	20	.015	4,000	C6
7064/09	5	30	.03	5,000	C6
7075/09	5	40	.025	12,000	C2R
7124/09	5	60	.03	100,000	C2R
7556/09	5	60	.05	100,000	C2R
7061/09	5	60	.15	5,000	C6
7217/09	5	75	.09	40,000	C2R
7551/09	5	115	.15	40,000	C6
7055/09	5	230	.60	2,000	C6
7564/09	6	40	.03	15,000	C2R
7188/09	6	60	.13	5,000	C2R
7575/09	6	70	.08	30,000	CC6
7208/09	6	100	.12	40,000	C2R
7168/09	6	125	.35	4,000	C2R
7111/09	6	150	.50	1,500	C2R
7357/09	6	180	.30	20,000	C2R
7562/09	6	200	.60	3,000	C2R

Continued on next page

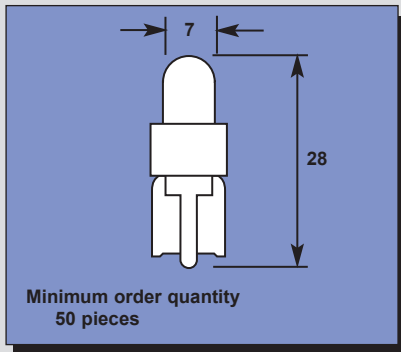
TYPE R5.4 5.4 x 17.5mm CAP. Ba5s T-1³/₄

Order Code	Volts	mA	Light Output M.S.C.P.	Average Life Hours	Fil Form
7563/09	6.3	40	.02	25,000	C2R
7565/09	6.3	75	.15	10,000	C2R
7029/09	6.3	150	.50	2,000	C2R
7567/09	6.3	200	.40	15,000	C2R
7566/09	6.3	200	.55	5,000	C2R
7510/09	10	15	.003	30,000	C2F
7127/09	10	27	.10	1,000	CC6
7514/09	10	40	.08	7,500	CC2R
7503/09	12	20	.007	20,000	C2F
7504/09	12	20	.03	6,000	C2F
7512/09	12	40	.10	6,000	CC2R
7505/09	12	60	.15	20,000	C2F
7065/09	12	75	.20	20,000	C2F
7515/09	12	100	.30	30,000	C2F
7179/09	12	120	.25	60,000	C2F
7140/09	14	50	.08	16,000	C2F
7542/09	14	80	.20	30,000	C2F
7517/09	14	80	.30	18,000	C2F
7516/09	14	80	.50	2,000	C2F
7519/09	14	100	.40	16,000	C2F
7501/09	16	30	.034	12,000	C2F
7040/09	18	30	.05	10,000	C2F
7518/09	18	40	.15	7,000	C2F
7537/09	19	40	.10	12,000	C2F
7522/09	22	40	.30	1,500	C2F
7554/09	24	20	.03	6,000	CC2F
7555/09	24	20	.06	4,000	C2F
7524/09	24	25	.07	7,000	CC2F
7073/09	24	28	.03	15,000	CC2F
7506/09	24	35	.15	7,000	C2F
7440/09	24	40	.25	5,000	C2F
7535/09	24	50	.18	10,000	CC2F
7502/09	24	50	.50	1,000	C2F
7528/09	24	80	.50	15,000	C2F
7172/09	28	24	.15	6,000	C2F
7582/09	28	25	.08	7,500	CC2F
7046/09	28	30	.20	6,000	C2F
7105/09	28	30	.25	2,500	C2F
7317/09	28	35	.10	18,000	C2F
7588/09	28	40	.15	25,000	C2F
7508/09	28	40	.20	12,000	C2F
7585/09	28	40	.30	8,000	C2F
7584/09	28	40	.34	5,000	C2F
7586/09	28	60	.34	20,000	C2F
7587/09	28	65	.60	8,000	C2F
7599/09	28	80	.72	10,000	C2F
7225/09	32	33	.34	3,000	CC2F
7532/09	36	20	.08	5,000	CC2F
7507/09	36	30	.30	2,500	C2F
7480/09	48	20	.20	2,500	CC2F
7548/09	48	25	.20	4,000	CC2F
7509/09	48	30	.15	8,000	CC2F
7511/09	48	30	.30	4,000	CC2F
7173/09	48	40	.34	8,000	CC2F
7541/09	60	20	.15	5,000	CC2F
7550/09	60	20	.30	1,000	CC2F
7560/09	60	30	.60	1,000	CC2F



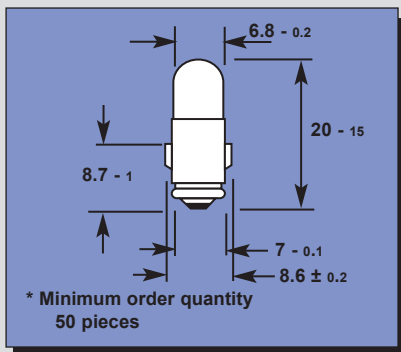
MICRO, SUB-MINIATURE & MINIATURE

TYPE 2821 6.8 x 28mm CAP. F9



Order Code	Volts	mA	Watts	Average Life Hours	Fil Form
2821/4/.25	4	250	1	3,000	C2R
2821/7/.18	6-7	180	1	5,000	C2V
2821/14/.12	12-14	120	1.68	8,000	C2V
2821/24/.04	24	40	.96	10,000	C2F
2821/24/.05	24	50	1.2	3,000	C2F
2821/24/.08	24	80	1.92	2,000	C2F
2821/28/40	28	40	1.12	5,000	C2F
2821/28/50	28	50	1.40	5,000	C2F
2821/30/.05	30	50	1.5	5,000	C2F
2821/30/.07	30	70	2.1	2,000	C2F
2821/36/.05	36	50	1.8	3,000	C2F
2821/36/70	36	70	2.54	5,000	C2F
2821/48/.04	42-48	40	1.92	3,000	CC2F
2821/48/25	48	25	1.2	5,000	CC2F
2821/48/.05	48	50	2.4	2,500	CC2F
2821/60/02	60	20	1.2	3,000	CC2F
2821/70/20	60-70	20	1.4	3,000	CC2F

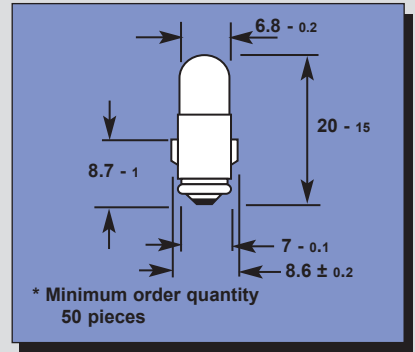
TYPE R7 6.8 x 20mm CAP. Ba7s



Order Code	Volts	mA	Watts	Average Life Hours	Fil Form
*7/3/2/B	3	66	2	1,000	C2R
*7/4/.25/B	4	250	1	1,000	C2R
7/6/.02/B	6	20	.12	1,000	C2V
7/6/.04/B	6	40	.24	7,000	C2R
7/6/.05/B	6	50	.30	2,000	C2R
7/6/.08/B	6	80	.48	1,000	C2V
7/6/.1/B	6	100	.60	1,000	C2R
*7/6/.18/B	6	180	1	1,000	C2V
7/6/.2/B	6	200	1.2	1,000	C2R
7/6/1.5/B	6	250	1.5	1,000	C2R
7/6/2/B	6	350	2	1,000	C2R
7/7/.08/B	7	80	.56	1,000	C2V
*7/7/.1/B	7	100	.70	1,000	C2R
*7/8/.1/B	8	100	.80	1,000	C2R
7/12/.02/B	12	20	.24	1,000	C2V
7/12/.05/B	12	50	.60	1,000	C2F
7/12/.1/B	12	100	1.2	1,000	C2F
7/12/.12/B	12	120	1.44	1,000	C2V
7/12/2/B	12	170	2	1,000	C2F
7/14/.08/B	14	80	1.12	1,000	C2V
7/14/.1/B	14	100	1.4	1,000	C2V
*7/16/.08/B	16	80	1.28	1,000	C2F
7/24/.02/B	24	20	.48	1,000	C2F
7/24/.025/B	24	25	.60	5,000	C2F
7/24/.04/B	24	40	1	1,000	C2F
7/24/.05/B	24	50	1.2	5,000	C2F
7/24/1.5/B	24	60	1.5	1,000	C2F
*7/24/.07/B	24	70	1.68	1,000	C2F
7/24/.08/B	24	80	1.92	1,000	C2F
7/24/1/B	24	100	2.40	1,000	C2F
7/24/3/B	24	125	3	1,000	C2F
7/24/17/B	24	170	4	1,000	C2F
Continued on next page					

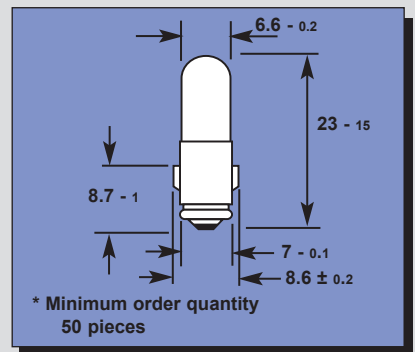
TYPE R7 6.8 x 20mm CAP. Ba7s

Order Code	Volts	mA	Watts	Average Life Hours	Fil Form
7/28/.02/B	28	20	.56	1,000	C2F
7/28/.025/B	28	25	.70	1,000	C2F
7/28/.04/B	28	40	1.1	5,000	C2F
*7/28/.05/B	28	50	1.4	1,000	C2F
7/28/.06/B	28	60	1.68	1,000	C2F
7/28/.07/B	28	70	1.96	1,000	C2F
7/28/.1/B	28	100	2.8	1,000	C2F
7/28/2/B	28	83	2	1,000	C2F
7/28/3/B	28	125	3	1,000	C2F
*7/30/.025/B	30	25	.75	1,000	C2F
*7/30/.04/B	30	40	1.2	1,000	C2F
*7/30/.05/B	30	50	1.5	1,000	C2F
*7/30/.06/B	30	60	1.8	1,000	C2F
*7/30/2/B	30	66	2	1,000	C2F
*7/30/3/B	30	100	3	1,000	C2F
7/36/.02/B	36	20	.72	1,000	C2F
7/36/.04/B	36	40	1.44	1,000	C2F
7/36/.05/B	36	50	1.8	1,000	C2F
7/42/.05/B	42	50	2.1	1,000	CC2F
7/48/.02/B	48	20	.96	5,000	C2F
7/48/.025/B	48	25	1.2	1,000	CC2F
7/48/.03/B	48	30	1.44	1,000	C2F
7/48/.04/B	48	40	1.92	1,000	CC2F
*7/48/.05/B	48	50	2.4	1,000	CC2F
7/60/.02/B	60	20	1.2	1,000	C2F
*7/60/.025/B	60	25	1.5	1,000	C2F
*7/60/.03/B	60	30	1.8	1,000	CC2F
7/60/.05/B	60	50	3	1,000	CC2F
7/70/.02/B	70	20	1.4	1,000	C2F
7/110/NEON	110	1.5		10,000	Neon
7/220/NEON	220	1.5		10,000	Neon
7/380/NEON	380	1.5		10,000	Neon



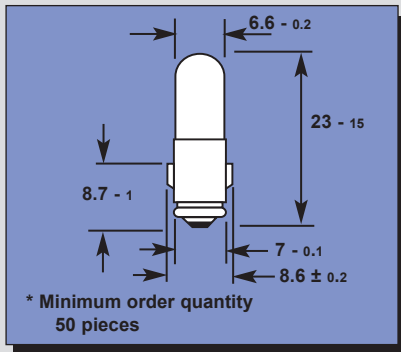
TYPE 7123 6.8 x 23mm CAP. Ba7s

Order Code	Volts	mA	Watts	Average Life Hours	Fil Form
7123/6/20	6	20	.12	2,000	C6
7123/6/40	6	40	.24	2,000	C6
7123/6/50	6	50	.30	2,000	C2R
*7123/6/80	6	80	.48	2,000	C2R
7123/6/100	6	100	.60	2,000	C2R
7123/6/180	6	180	1.08	2,000	C2V
7123/6/200	6	200	1.2	2,000	C2R
7123/7/100	7	100	.7	2,000	C2V
*7123/12/20	12	20	.24	2,000	C2F
7123/12/40	12	40	.48	2,000	C2F
7123/12/50	12	50	.60	2,000	C2F
7123/12/100	12	100	1.2	2,000	C2F
7123/12/120	12	120	1.44	2,000	C2V
7123/12/170	12	170	2	2,000	C2V
7123/14/80	14	80	1.12	2,000	C2V
Continued on next page					



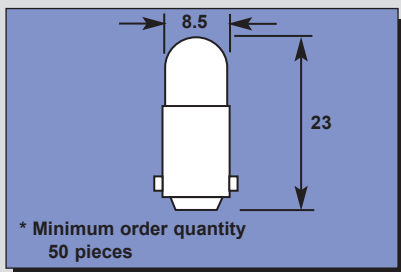
MICRO, SUB-MINIATURE & MINIATURE

TYPE 7123 6.8 x 23mm CAP. Ba7s



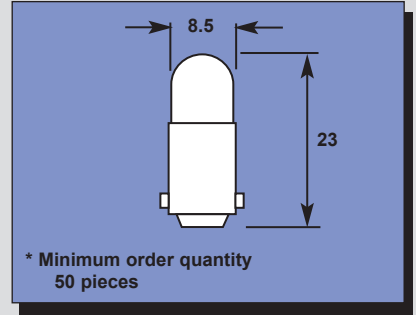
Order Code	Volts	mA	Watts	Average Life Hours	Fill Form
7123/24/20	24	20	.48	2,000	CC2F
7123/24/25	24	25	.60	2,000	CC2F
7123/24/40	24	40	.96	2,000	C2F
7123/24/50	24	50	1.2	2,000	C2F
7123/24/60	24	60	1.5	2,000	C2F
*7123/24/70	24	70	1.68	2,000	C2F
7123/24/80	24	80	1.92	2,000	C2F
7123/24/100	24	100	2.4	2,000	C2F
7123/24/3	24	125	3	2,000	C2F
*7123/28/20	28	20	.56	2,000	CC2F
7123/28/25	28	25	.70	2,000	C2F
7123/28/40	28	40	1.12	2,000	C2F
*7123/28/50	28	50	1.40	2,000	CC2F
7123/28/60	28	60	1.68	2,000	C2F
7123/28/70	28	70	1.96	2,000	C2F
7123/30/20	30	20	.60	2,000	CC2F
*7123/30/25	30	25	.75	2,000	CC2F
7123/30/30	30	30	.90	2,000	CC2F
7123/30/40	30	40	1.2	2,000	C2F
7123/30/50	30	50	1.5	2,000	C2F
7123/30/2	30	65	2	2,000	C2F
7123/30/3	30	100	3	2,000	C2F
7123/36/20	36	20	.72	2,000	CC2F
7123/36/30	36	30	1.08	2,000	C2F
7123/36/40	36	40	1.44	2,000	C2F
7123/36/50	36	50	1.80	2,000	CC2F
7123/48/20	48	20	.96	2,000	CC2F
7123/48/25	48	25	1.2	2,000	CC2F
7123/48/30	48	30	1.44	2,000	C2F
7123/48/40	48	40	1.92	2,000	CC2F
7123/48/50	48	50	2.4	2,000	CC2F
7123/52/25	52	25	1.3	2,000	CC2F
7123/60/20	60	20	1.2	2,000	CC2F
7123/60/25	60	25	1.5	2,000	C2F
7123/60/40	60	40	2.4	2,000	CC2F
7123/60/50	60	50	3	2,000	C2F
*7123/70/20	70	20	1.4	2,000	CC2F
*7123/70/40	70	40	2.8	2,000	CC2F
*7123/80/20	80	20	1.6	2,000	CC2F
7123/85	85	1.5	Clear	10,000	Neon
*7123/110	110	1.5	Clear	10,000	Neon
*7123/220	220	1.5	Clear	10,000	Neon
*7123/220F	220	1.5	Green	10,000	Neon
7123/380	380	1.5	Clear	10,000	Neon

TYPE R9 TUBULAR 8.5 x 23mm CAP. Ba9s (MCC) T2^{3/4}



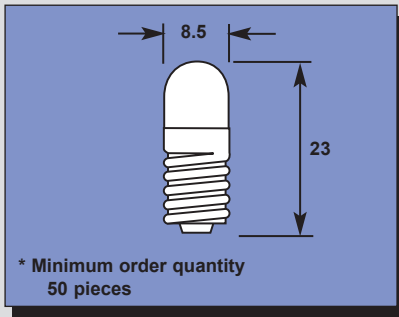
Order Code	Volts	mA	Watts	Average Life Hours	Fill Form
9/2/.2/B	2	200	.4	1,000	C2R
9/2.5/.5/B	2.5	500	1.25	1,000	C2R
*9/4/.25/B	4	250	1	5,000	C2R
9/4.8/1.5/B	4.8	313	1.5	1,000	C2R
Continued on next page					

Order Code	Volts	mA	Watts	Average Life Hours	Fil Form
9/6/.04/B	6	40	.24	1,000	C2R
9/6/.1/B	6	100	.6	1,000	C2R
9/6/.05/B	6	50	.30	1,000	C2V
9/6/1/B	6	180	1	1,000	C2V
9/6/.2/B	6	200	1.2	1,000	C2R
*9/6/.3/B	6	300	1.8	1,000	C2R
9/6/2/B	6	350	2	1,000	C2R
9/6/3/B	6	500	3	1,000	C2R
9/6/4/B	6	666	4	1,000	C2R
9/6/6/B	6	1000	6	1,000	C2R
9/63/.15/B	6.3	150	.95	1,000	C2V
9/63/1/B	6.3	160	1	1,000	C2V
9/63/1.2/B	6.3	190	1.2	1,000	C2R
9/63/.25/B	6.3	250	1.58	1,000	C2V
*9/7/2/B	6-7	290	2	10,000	C2R
9/12/.02/B	12	20	.24	1,000	C2V
*9/12/.05/B	12	50	.6	1,000	C2F
9/12/1.2/B	12	100	1.2	1,000	C2V
9/12/1.5/B	12	120	1.5	1,000	C2V
9/12/2/B	12	170	2	1,000	C2V
9/12/2.2/B	12	180	2.2	1,000	C2V
9/12/3/B	12	250	3	1,000	C2V
9/12/4/B	12	333	4	1,000	C2R
*9/15/2/B	12-15		2	10,000	C2V
9/18/.1/B	18	100	1.8	1,000	C2V
*9/24/.025/B	24	25	.6	1,000	C2F
9/24/1/B	24	40	1	1,000	C2F
9/24/1.2/B	24	50	1.2	1,000	C2F
9/24/.06/B	24	60	1.44	1,000	C2F
9/24/.08/B	24	80	1.92	1,000	C2F
9/24/3/B	24	125	3	1,000	C2F
9/24/4/B	24	165	4	1,000	C2F
*9/26/1/B	26	38	1	10,000	C2F
9/26/3/B	26	115	3	1,000	C2F
9/28/.04/B	28	40	1.12	1,000	C2F
9/28/.06/B	28	60	1.68	1,000	C2F
9/28/.08/B	28	80	2.24	1,000	C2F
*9/30/1/B	30	33	1	1,000	CC2F
9/30/.04/B	30	40	1.2	1,000	C2F
*9/30/.05/B	30	50	1.5	1,000	C2F
9/30/2/B	30	66	2	1,000	C2F
9/30/3/B	30	100	3	1,000	C2F
*9/30/.07/B	30	70	2.1	1,000	C2F
*9/30/.08/B	30	80	2.4	1,000	C2F
*9/32/.1/B	32	100	3.2	1,000	C2F
9/36/.05/B	36	50	1.8	1,000	C2F
9/36/2/B	36	55	2	1,000	C2F
9/36/3/B	36	83	3	1,000	C2F
*9/45/2/B	36-45	44	2	3,000	C2F
*9/45/3/B	36-45	66	3	2,500	CC2F
*9/40/3/B	40	75	3	1,000	C2F
*9/42/.05/B	42	50	2.1	2,500	CC2F
*9/42/2/B	42		2	1,000	C2F
*9/48/.02/B	48	20	.96	1,000	C2F
9/48/.025/B	48	25	1.2	1,000	C2F
9/48/.04/B	48	40	1.92	1,000	CC2F
9/48/.05/B	48	50	2.4	2,500	CC2F
*9/48/.06/B	48	60	3	1,000	C2F
9/60/.02/B	60	20	1.2	1,000	C2F
*9/60/2/B	60	35	2	1,000	C2F
9/60/.04/B	60	40	2.4	1,000	CC2F
9/60/.05/B	60	50	3	1,000	CC2F
*9/70/2/B	60-70	28	2	2,500	CC2F
*9/70/.02/B	70	20	1.4	2,000	CC2F
*9/70/.04/B	70	40	2.8	1,500	CC2F
*9/70/3/B	70	43	3	1,000	CC2F
*9/80/.02/B	80	20	1.6	2,500	CC2F
*9/80/3/B	80	37	3	1,000	CC2F
9/130/.02/B	130	20	2.6	1,000	Multi
9/240/3/B	240		3	1,000	Multi



MICRO, SUB-MINIATURE & MINIATURE

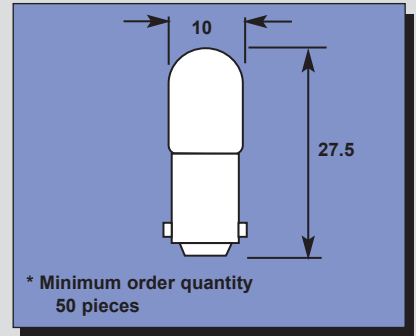
TYPE R9 TUBULAR 8.5 x 23mm CAP. E10 (MES) T2³/₄



Order Code	Volts	mA	Watts	Average Life Hours	Fil Form
9/2.2/.4/E	2.2	400	.9	1,000	C2R
9/2.5/.2/E	2.5	200	.5	1,000	C2R
9/2.5/.3/E	2.5	300	.75	1,000	C2R
9/3.3/.3/E	3.3	300	1	1,000	C2R
9/3.7/.2/E	3.7	200	1.1	1,000	C2R
*9/4/1/E	4	250	1	5,000	C2R
9/6/.05/E	6	50	.3	1,000	C2V
9/6/.1/E	6	100	.6	1,000	C2V
9/6/1/E	6	180	1	1,000	C2R
9/6/1.2E	6	200	1.2	1,000	C2V
*9/6/.3/E	6	300	1.8	2,500	C2R
9/6/2/E	6	350	2	1,000	C2R
*9/6/3/E	6	500	3	1,000	C2R
9/6/3/.15/E	6.3	150	1.1	1,000	C2V
9/6/3/.2/E	6.3	200	2	1,000	C2R
*9/7/2/E	6-7	290	2	1,000	C2R
9/12/.02/E	12	20	.25	1,000	C2V
*9/12/.05/E	12	50	.6	1,000	C2F
*9/12/1.2/E	12	100	1.2	1,000	C2V
*9/12/1.5/E	12	120	1.44	1,000	C2V
9/12/2/E	12	170	2	1,000	C2V
*9/12/3/E	12	250	3	5,000	C2F
9/15/.05/E	15	50	.75	1,000	C2V
*9/15/.14/E	15	140	2.1	1,000	C2F
9/18/.1/E	18	100	1.8	1,000	C2V
*9/24/.025/E	24	25	.6	1,000	C2F
*9/24/1/E	24	40	1	1,000	C2F
9/24/.05/E	24	50	1.2	1,000	C2F
*9/24/.06/E	24	60	1.5	1,000	C2F
9/24/.08/E	24	80	1.92	1,000	C2F
9/24/3/E	24	125	3	1,000	C2F
*9/26/1/E	26	38	1	1,000	C2F
9/26/3/E	26	115	3	1,000	C2F
*9/28/.06/E	28	60	1.68	1,000	C2F
*9/28/.08/E	28	80	2.24	1,000	C2F
*9/28/2/E	28	70	2	1,000	C2F
9/30/.04/E	30	40	1.2	1,000	C2F
9/30/1/E	30	33	1	1,000	CC2F
*9/30/1.5/E	30	50	1.5	1,000	C2F
9/30/2/E	30	66	2	1,000	C2F
*9/30/.08/E	30	80	2.4	1,000	C2F
9/30/3/E	30	100	3	1,000	C2F
*9/32/.1/E	32	100	3.2	1,000	C2F
*9/36/.05/E	36	50	1.8	1,000	C2F
*9/36/2/E	36	55	2	1,000	C2F
*9/36/3/E	36	83	3	1,000	C2F
*9/45/2/E	36-45	44	2	3,000	C2F
*9/45/3/E	36-45	66	3	2,500	CC2F
*9/40/3/E	40	75	3	1,000	C2F
*9/42/2/E	42	47	2	1,000	C2F
*9/42/.05/E	42	50	2.1	2,500	CC2F
9/48/.02/E	48	20	.96	1,000	C2F
9/48/.025/E	48	25	1.2	1,000	C2F
9/48/.04/E	48	40	1.92	1,000	CC2F
*9/48/.05/E	48	50	2.4	2,500	CC2F
*9/48/.06/E	48	60	2.88	1,000	C2F
*9/48/3/E	48	62	3	2,500	CC2F
*9/60/.02/E	60	20	1.2	1,000	C2F
*9/60/2/E	60	33	2	1,000	CC2F
*9/60/.04/E	60	40	2.4	1,000	CC2F
9/60/.05E	60	50	3	1,000	CC2F
*9/70/.02/E	70	20	1.4	2,000	CC2F
*9/70/.04/E	70	40	2.8	1,500	CC2F
*9/70/3/E	70	43	3	1,000	CC2F
*9/80/.02/E	80	20	1.6	2,500	CC2F
*9/80/3/E	80	37	3	1,000	CC2F
9/130/.02/E	130	20	2.6	1,000	Multi
9/240/3/E	240	3	14	1,000	Multi

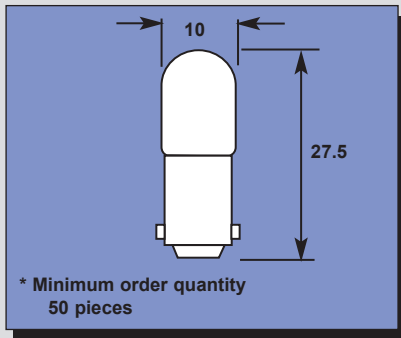
TYPE R10 10 x 28mm CAP. Ba9s (MCC) T3¹/₄

Order Code	Volts	mA	Watts	Average Life Hours	Fil Form
10/1.5/.5/B	1.5	500	.07	1,000	C2R
10/2/.06/B	2	60	.12	1,000	C2V
10/2/.6/B	2	600	1.2	1,000	C2R
*10/2.5/.2/B	2.5	200	.5	1,000	C2R
10/2.5/.3/B	2.5	300	.75	1,000	C2R
*10/2.5/.5/B	2.5	500	1.25	1,000	C2R
10/2.5/1A/B	2.5	1A	2.5	1,000	C2R
10/3/2/B	3	650	2	1,000	C2R
10/3.2/.35/B	3.2	350	.11	3,000	C2R
10/3.5/.2/B	3.5	200	.7	1,000	C2R
10/3.6/.15/B	3.6	150	.54	1,000	C2R
10/3.6/.25/B	3.6	250	.9	1,000	C2R
*10/3.8/07/B	3.8	70	.26	1,000	C2R
*10/4/.04/B	4	40	.16	1,000	C2R
10/4/.06/B	4	60	.24	1,000	S2
*10/4/.25/B	4	250	1	1,000	C2R
*10/4/.3/B	4	300	1.2	1,000	C2R
*10/4/3/B	4	750	3	1,000	C2R
10/4/.5/B	4	500	2	1,000	C2R
*10/4.5/.3/B	4.5	300	1.35	1,000	C2R
*10/5/.05/B	5	50	.25	1,000	C2R
10/5/.07/B	5	70	.35	1,000	C2V
*10/5/.09/B	5	90	.45	1,000	C2R
*10/5/.15/B	5	150	.75	1,000	C2R
10/5/.9/B	5	900	4.5	1,000	C2R
10/6/.05/B	6	50	.3	1,000	C2R
10/6/.075/B	6	75	.45	1,000	C2V
10/6/.1/B	6	100	.6	1,000	C2R
10/6/.18/B	6	180	1.08	1,000	C2R
10/6/.2B	6	200	1.2	1,000	C2R
10/6/.3/B	6	300	1.8	1,000	C2R
10/6/2/B	6	350	2	1,000	C2R
10/6/.5/B	6	500	3	1,000	C2R
10/6/4/B	6	700	4	1,000	C2R
*10/6/5/B	6	833	5	1,000	C2R
10/6/6/B	6	1A	6	1,000	C2R
*10/7/2/B	6-7	290	2	5,000	C2R
10/63/.15/B	6.3	150	.95	20,000	C2R
10/63/.25/B	6.3	250	1.6	1,000	C2R
10/63/.3/B	6.3	300	1.89	1,000	C2R
10/63/.4/B	6.3	400	2.5	1,000	C2R
*10/63/.5/B	6.3	500	3.15	1,000	C2R
*10/8/.25/B	6-8	250	2	1,000	C2R
*10/65/.1/B	6.5	100	.65	1,000	C2R
10/65/.15/B	6.5	150	.97	1,000	C2R
10/65/.25/B	6.5	250	1.6	1,000	C2R
10/65/.3/B	6.5	300	1.95	1,000	C2R
*10/7/.1B	7	100	.7	1,000	C2R
*10/7/.3/B	7	300	2.1	1,000	C2R
10/7/4/B	7	570	4	1,000	C2R
10/8/.15/B	8	150	1.2	3,000	C2R
*10/8/.1/B	8	100	.8	2,500	C2R
10/8/.3/B	8	300	2.4	2,500	C2R
*10/10/.05/B	10	50	.5	1,000	C2F
*10/10/.2/B	10	200	2	1,000	C2V
Continued on next page					



MICRO, SUB-MINIATURE & MINIATURE

TYPE R10 10 x 28mm CAP. Ba9s (MCC)T3¹/₄

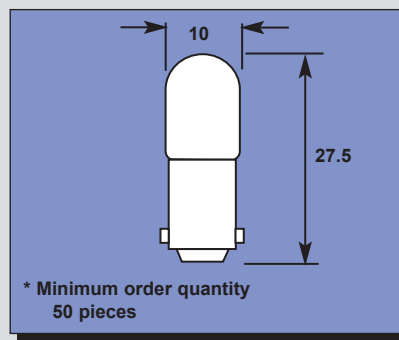


Order Code	Volts	mA	Watts	Average Life Hours	Fil Form
10/12/.02/B	12	20	.24	1,000	C2V
*10/12/.05/B	12	50	.6	1,000	C2F
*10/12/1/B	12	83	1	1,000	C2F
10/12/.1/B	12	100	1.2	1,000	C2F
*10/12/.12/B	12	120	1.44	1,000	C2F
10/12/.15/B	12	150	1.8	1,000	C2V
*10/12/1.5/B	12	125	1.5	1,000	C2F
10/12/2/B	12	166	2	1,000	C2F
10/12/2.2/B	12	183	2.2	1,000	C2R
10/12/3/B	12	250	3	1,000	C2F
10/12/4/B	12	340	4	1,000	C2F
*10/12/5/B	12	416	5	1,000	C2F
10/13/.33/B	13	330	4.3	1,000	C2V
*10/15/2/B	12-15	133	2	1,000	C2V
*10/15/.05/B	15	50	.75	1,000	C2F
*10/14/.08/B	14	80	1.12	1,000	C2F
10/14/.2/B	14	200	2.8	1,000	C2V
1813	14.4	100	1.44	1,000	C2V
10/18/.1/B	18	100	1.8	1,000	C2F
*10/18/3/B	18	166	3	1,000	C2F
*10/24/025/B	24	25	.6	1,000	C2F
10/24/.04/B	24	40	1	1,000	C2F
10/24/.05/B	24	50	1.2	1,000	C2F
10/24/.06/B	24	60	1.5	1,000	C2F
10/24/2/B	24	83	2	1,000	C2F
10/24/.1/B	24	100	2.4	1,000	C2F
10/24/3/B	24	125	3	1,000	C2F
10/24/4/B	24	170	4	1,000	C2F
*10/24/5/B	24	200	5	1,000	C2F
*10/30/4/B	24-30	133	5	1,000	C2F
*10/26/1/B	26	38	1	1,000	C2F
*10/27/2/B	27	74	2	1,000	C2F
10/28/.025/B	28	25	.7	1,000	C2F
10/28/.04/B	28	40	1.12	1,000	C2F
10/28/.05/B	28	50	1.4	1,000	C2F
10/28/.07/B	28	70	2	1,000	C2F
10/28/.08/B	28	80	2.24	1,000	C2F
10/28/.1/B	28	100	2.8	1,000	C2F
10/28/.2/B	28	200	5.6	1,000	C2F
*10/28/3/B	28	107	3	1,000	C2F
10/28/.17/B	28	170	4.8	1,000	C2F
10/30/.04/B	30	40	1.2	1,000	C2F
*10/30/.05/B	30	50	1.5	1,000	C2F
10/30/2/B	30	66	2	1,000	C2F
10/30/.06/B	30	60	1.8	1,000	C2F
*10/30/.07/B	30	70	2.1	1,000	C2F
10/30/.08/B	30	80	2.4	1,000	C2F
10/30/3/B	30	100	3	1,000	C2F
*10/30/5/B	30	166	5	1,000	C2F
10/32/.09/B	32	90	3	1,000	C2F
10/32/.17/B	32	170	5.4	1,000	C2F
10/36/.02/B	36	20	.72	1,000	C2F
*10/36/.05/B	36	50	1.8	1,000	C2F
10/36/.08/B	36	80	2.88	1,000	C2F
10/36/.1/B	36	100	3.6	1,000	C2F
10/36/2/B	36	66	2	1,000	C2F
*10/36/3/B	36	83	3	1,000	C2F
*10/45/2/B	36-45	44	2	1,000	C2F
*10/45/4/B	36-45	88	4	1,000	C2F
10/42/1/B	42	25	1	1,000	C2F
*10/42/.05/B	42	50	2.1	1,000	C2F
*10/42/3/B	42	70	3	1,000	C2F

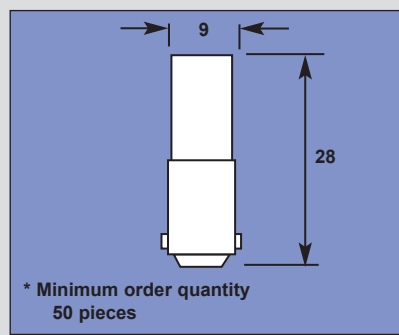
Continued on next page

TYPE R10 10 x 28mm CAP. Ba9s (MCC) T3¹/₄

Order Code	Volts	mA	Watts	Average Life Hours	Fil Form
10/48/.02/B	48	20	.96	1,000	C2F
10/48/025/B	48	25	1.2	1,000	C2F
10/48/.04/B	48	40	1.92	1,000	C2F
10/48/.05/B	48	50	2.4	1,000	C2F
10/48/.06/B	48	60	2.88	1,000	C2F
*10/48/3/B	48	62	3	1,000	C2F
*10/48/.08/B	48	80	4	1,000	C2F
*10/48/5/B	48	104	5	1,000	C2F
10/50/.05/B	50	50	2.5	1,000	C2F
10/50/.1/B	50	100	5	1,000	C2F
*10/52/3/B	52	58	3	1,000	C2F
10/55/.05/B	55	50	2.75	1,000	C2F
10/60/.02/B	60	20	1.2	1,000	C2F
10/60/.03/B	60	30	1.8	1,000	CC2F
10/60/2/B	60	33	2	1,000	CC2F
10/60/.04/B	60	40	2.4	1,000	CC2F
10/60/.05/B	60	50	3	1,000	CC2F
10/60/.06/B	60	60	3.6	1,000	CC2F
10/60/4/B	60	66	4	1,000	C2F
*10/60/5/B	60	83	5	1,000	CC2F
*10/70/2/B	60-70	28	2	2,000	CC2F
*10/70/.02/B	70	20	1.4	2,500	CC2F
*10/70/.04/B	70	40	2.8	2,500	CC2F
*10/70/3/B	70	43	3	2,000	CC2F
*10/80/.02/B	80	20	1.6	2,500	CC2F
*10/80/025/B	80	25	2	1,000	CC2F
*10/80/3/B	80	37	3	2,000	CC2F
*10/80/.04/B	80	40	3.2	1,000	CC2F
120MB	120	25	3	1,000	CC7A
10/130/02/B	110/130	20	2.6	1,000	CC4F
10/160/02/B	160	20	3.2	2,000	Multi
10/240/4/B	240	3-4	1,000	1,000	Multi
*10/230/5/B	230	5	1,000	1,000	Multi

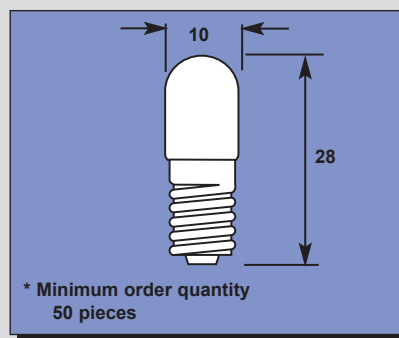


120MB 9 x 28mm CAP. Ba9s (MCC)



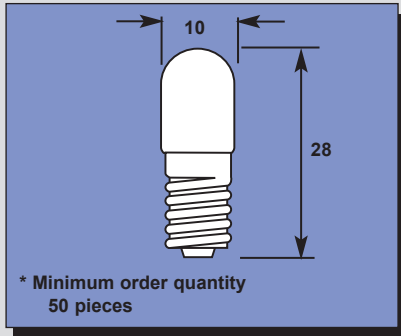
TYPE R10 10 x 28mm CAP. E10 (MES) T3¹/₄

Order Code	Volts	mA	Watts	Average Life Hours	Fil Form
10/1.35/.06/E	1.35	60	.08	500	S2
10/1.5/.5/E	1.5	500	.07	1,000	C2R
10/2/.06/E	2	60	.12	1,000	C2V
10/2.5/.2/E	2.5	200	.5	1,000	C2R
10/2.5/.3/E	2.5	300	.75	1,000	C2R
10/2.5/.5/E	2.5	500	1.25	1,000	C2R
10/2.5/1A/E	2.5	1A	2.5	1,000	C2R
10/3.5/.2/E	3.5	200	.7	1,000	C2R
10/3.5/.7/E	3.5	700	2.4	1,000	C2R
*10/3.8/07/E	3.8	70	.26	1,000	C2R
*10/4/.04/E	4	40	.16	1,000	C2R
*10/4/.25/E	4	250	1	1,000	C2R
*10/4/.3/E	4	300	1.2	1,000	C2R
10/4/.5/E	4	500	2	1,000	C2R
*10/4.5/.3/E	4.5	300	1.35	1,000	C2R
*10/5/.09/E	5	90	.45	1,000	C2R
10/5/.3/E	5	300	1.5	1,000	C2R
Continued on next page					



MICRO, SUB-MINIATURE & MINIATURE

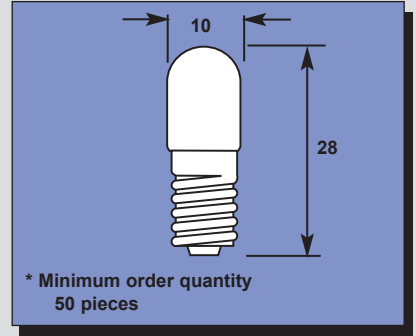
TYPE R10 10 x 28mm CAP. E10 (MES) T3¹/₄



Order Code	Volts	mA	Watts	Average Life Hours	Fil Form
10/6/.05/E	6	50	.3	1,000	C2R
10/6/.06/E	6	60	.36	1,000	C2R
10/6/.075/E	6	75	.45	1,000	C2V
*10/6/.1/E	6	100	.6	1,000	C2R
10/6/.12/E	6	120	.70	1,000	C2R
10/6/.18/E	6	180	1.08	1,000	C2R
10/6/.2/E	6	200	1.2	1,000	C2R
10/6/.3/E	6	300	1.8	1,000	C2R
*10/6/2/E	6	350	2	1,000	C2R
10/6/.5/E	6	500	3	1,000	C2R
10/6/4/E	6	700	4	1,000	C2R
*10/6/5/E	6	833	5	1,000	C2R
10/6/6/E	6	1A	6	1,000	C2R
*10/7/2/E	6-7	290	2	5,000	C2R
10/63/.1/E	6.3	100	.63	1,000	C2V
*10/63/.3/E	6.3	300	1.89	1,000	C2R
10/63/.15/E	6.3	150	1	1,000	C2R
10/63/.45/E	6.3	450	2.8	1,000	C2R
10/63/.5/E	6.3	500	3.15	1,000	C2R
*10/8/.25/E	6-8	250	2	1,000	C2R
*10/65/.1/E	6.5	100	.65	1,000	C2R
10/65/.15/E	6.5	150	.97	1,000	C2R
10/65/.3/E	6.5	300	1.95	1,000	C2R
*10/7/1/E	7	100	.7	1,000	C2R
*10/7/3/E	7	300	2.1	1,000	C2R
10/7/2.2/E	7	320	2.2	1,000	C2R
*10/8/1/E	8	100	.8	2,500	C2R
10/8/15/E	8	150	1.2	3,000	C2R
10/8/3/E	8	300	2.4	2,500	C2R
*10/10/.05/E	10	50	.5	1,000	C2F
*10/10/.2/E	10	200	2	1,000	C2V
10/12/.02/E	12	20	.24	1,000	C2V
10/12/.05/E	12	50	.6	1,000	C2F
*10/12/1/E	12	83	1	1,000	C2F
10/12/.1/E	12	100	1.2	1,000	C2F
*10/12/.12/E	12	120	1.44	1,000	C2F
10/12/1.5/E	12	125	1.5	1,000	C2F
10/12/2/E	12	166	2	1,000	C2F
10/12/2.2/E	12	183	2.2	1,000	C2F
10/12/.2/E	12	200	2.4	1,000	C2V
*10/12/3/E	12	250	3	1,000	C2F
10/12/4/E	12	340	4	1,000	C2R
*10/12/5/E	12	416	5	1,000	C2F
*10/15/2/E	12-15	133	2	1,000	C2V
*10/14/.08/E	14	80	1.12	1,000	C2F
10/14/1/E	14	100	1.4	1,000	C2V
10/14/2/E	14	200	2.8	1,000	C2V
*10/15/.05/E	15	50	.75	1,000	C2F
10/15/2/E	15	200	3	1,000	C2V
10/18/1/E	18	100	1.8	1,000	C2F
10/18/2/E	18	110	2	1,000	C2V
*10/18/3/E	18	166	3	1,000	C2F
10/24/025/E	24	25	.6	1,000	C2F
*10/24/.04/E	24	40	1	1,000	C2F
10/24/.05/E	24	50	1.2	1,000	C2F
10/24/.06/E	24	60	1.5	1,000	C2F
10/24/2/E	24	83	2	1,000	C2F
10/24/1/E	24	100	2.4	1,000	C2F
10/24/3/E	24	125	3	1,000	C2F
*10/24/4/E	24	170	4	1,000	C2F
*10/24/5/E	24	200	5	1,000	C2F

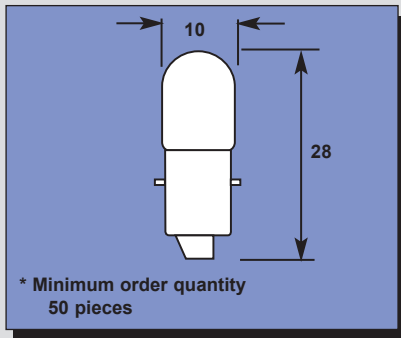
Continued on next page

Order Code	Volts	mA	Watts	Average Life Hours	Fil Form
*10/26/1/E	26	38	1	1,000	C2F
10/26/3/E	26	115	3	1,000	C2F
*10/27/2/E	27	74	2	1,000	C2F
10/28/.04/E	28	40	1.2	1,000	C2F
10/28/.05/E	28	50	1.4	1,000	C2F
10/28/.07/E	28	70	2	1,000	C2F
10/28/.08/E	28	80	2.24	1,000	C2F
10/28/1/E	28	100	2.80	1,000	C2F
10/28/3/E	28	107	3	1,000	C2F
*10/28/17/E	28	170	4.76	1,000	C2F
10/30/.04/E	30	40	1.2	1,000	C2F
*10/30/.05/E	30	50	1.5	1,000	C2F
10/30/2/E	30	66	2	1,000	C2F
*10/30/.08/E	30	80	2.4	1,000	C2F
10/30/3/E	30	100	3	1,000	C2F
*10/30/5/E	30	166	5	1,000	C2F
10/36/1.2/E	36	33	1.2	1,000	C2F
10/36/.05/E	36	50	1.8	1,000	C2F
*10/36/2/E	36	66	2	1,000	C2F
*10/36/.08/E	36	80	2.88	1,000	C2F
10/36/3/E	36	83	3	1,000	C2F
*10/45/2/E	36-45	44	2	1,000	C2F
*10/45/4/E	36-45	88	4	1,000	C2F
*10/42/.05/E	42	50	2.1	1,000	C2F
*10/42/3/E	42	70	3	1,000	C2F
10/42/5/E	42	120	5	1,000	C2F
*10/48/.02/E	48	20	.96	1,000	C2F
10/48/025/E	48	25	1.2	1,000	C2F
10/48/.04/E	48	40	1.92	1,000	C2F
*10/48/.05/E	48	50	2.4	1,000	C2F
10/48/.06/E	48	60	2.88	1,000	C2F
10/48/3/E	48	62	3	1,000	C2F
*10/48/.08/E	48	80	4	1,000	C2F
*10/48/5/E	48	104	5	1,000	C2F
10/50/.05/E	50	50	2.5	1,000	C2F
*50S6	50	55	2.7	1,000	C2F
*50S5	50	100	5	1,000	C2F
*10/52/3/E	52	58	3	1,000	C2F
10/60/.02/E	60	20	1.2	1,000	C2F
10/60/.03/E	60	30	1.8	1,000	CC2F
*10/60/2/E	60	33	2	1,000	CC2F
10/60/.04/E	60	40	2.4	1,000	CC2F
10/60/.05/E	60	50	3	1,000	CC2F
10/60/.06/E	60	60	3.6	1,000	CC2F
10/60/4/E	60	70	4	1,000	C2F
*10/60/5/E	60	83	5	1,000	CC2F
*10/70/.02/E	70	20	1.4	2,500	CC2F
*10/70/2/E	70	28	2	2,000	CC2F
*10/70/.04/E	70	40	2.8	2,500	CC2F
*10/70/3/E	70	43	3	2,500	CC2F
*10/80/.02/E	80	20	1.6	2,500	CC2F
*10/80/025/E	80	25	2	1,000	CC2F
*10/80/3/E	80	37	3	2,000	CC2F
*10/80/.04/E	80	40	3.2	1,000	CC2F
10/130/02/E	130	20	2.6	1,000	CC4F
*10/160/02/E	160	20	3.2	1,000	Multi
10/240/4/E	240		3-4	1,000	Multi
*10/230/5/E	230		5	1,000	Multi



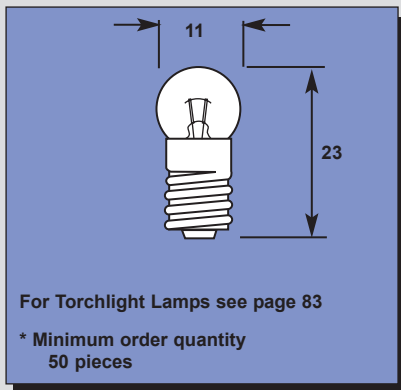
MICRO, SUB-MINIATURE & MINIATURE

TYPE R10 TUBULAR SPECIAL 10 x 28mm CAP. Ba10s



Order Code	Volts	mA	Watts	Average Life Hours	Fil Form
10/4.6/10	4	600	2.4	1,000	C2R
10/6.3/10	6	300	1.8	2,500	C2R
10/6.5/10	6	500	3	1,000	C2R
10/12/25/10	12	250	3	1,500	C2V
10/24/3/10	24	125	3	2,500	C2F
10/24/5/10	24	208	5	1,000	C2F
10/30/2/10	30	67	2	1,000	C2F
10/30/3/10	30	100	3	5,000	C2F
10/48/3/10	48	62	3	2,500	CC2F
10/60/3/10	60	50	3	2,000	CC2F
10/65/3/10	65	46	3	2,500	CC2F
10/65/85/10	65	85	5.5	1,000	CC2F
10/80/.04/10	70-80	40	3	1,000	CC2F
10/130/02/10	110-130	20	2.6		Multi

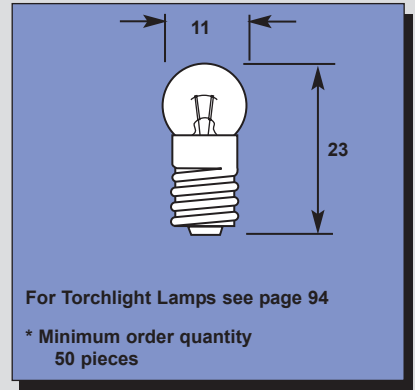
TYPE K11 ROUND 11 x 23mm CAP. E10 (MES) G3^{1/2}



Order Code	Volts	mA	Watts	Average Life Hours	Fil Form
*11/1.3/15/E	1.3	150	.195	1,000	C2R
*11/1.5/09/E	1.5	90	.135	500	C2R
11/1.5/.2/E	1.5	200	.3	1,000	C2R
11/1.5/.3/E	1.5	300	.45	1,000	C2R
11/2.2/.2/E	2.2	200	.44	1,000	C2R
*11/2.5/06/E	2.5	60	.15	1,000	C2R
11/2.5/.1/E	2.5	100	.25	1,000	C2R
11/2.5/.2/E	2.5	200	.5	1,000	C2R
11/2.5/.3/E	2.5	300	.75	1,000	C2R
11/2.5/.5/E	2.5	500	1.25	1,000	C2R
11/3.5/.15/E	3.5	150	.52	1,000	C2R
*11/3.5/.2/E	3.5	200	.70	1,000	C2R
11/3.8/.07/E	3.8	70	.27	1,000	C2R
*11/3.8/.3/E	3.8	300	1.14	1,000	C2R
*11/4.04/E	4	40	.16	1,000	C2R
11/4/.25/E	4	250	1	1,000	C2R
11/4/.3/E	4	300	1.2	1,000	C2R
11/4/.5/E	4	500	2	1,000	C2R
11/4.8/.3/E	4.8	300	1.44	1,000	C2R
11/6.04/E	6	40	.24	1,000	C2R
11/6.05/E	6	50	.3	1,000	C2R
11/6.06/E	6	60	.36	1,000	C2R
11/6.1/E	6	100	.6	1,000	C2R
*11/6/1/E	6	180	1	1,000	C2V
11/6.2/E	6	200	1.2	1,000	C2R
11/6.3/E	6	300	1.8	3,000	C2R
*11/6/2/E	6	350	2	1,000	C2R
11/6/3/E	6	500	3	1,000	C2R
*11/6/6/E	6	600	3.6	1,000	C2R
11/6/5/E	6	830	5	1,000	C2R
11/65/.15/E	6.5	150	.97	3,000	C2R
11/65/.3/E	6.5	300	1.95	3,000	C2R
11/7.1/E	7	100	.7	1,000	C2R
11/7.3/E	7	300	2.1	1,000	C2R
Continued on next page					

TYPE K11 ROUND 11 x 23mm CAP. E10 (MES) G3¹/₂

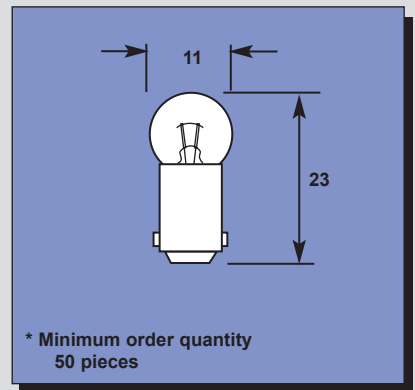
Order Code	Volts	mA	Watts	Average Life Hours	Fil Form
11/12/.05/E	12	50	.6	1,000	C2R
11/12/.1/E	12	100	1.2	1,000	C2R
11/12/.2/E	12	183	2.2	3,000	C2R
*11/12/.2/E	12	200	2.4	1,000	C2R
11/12/3/E	12	250	3	1,000	C2R
11/12/.4/E	12	400	4.8	1,000	C2R
*11/15/2/E	12-15	130	2	1,000	C2R
11/14/.06/E	14	60	.24	1,000	C2R
11/18/.1/E	18	100	1.8	1,000	C2V
*11/19/.04/E	19	40	.76	1,000	C2R
11/24/.05/E	24	50	1.2	1,000	C2F
11/24/.08/E	24	80	2	1,000	C2F
11/24/.1/E	24	100	2.4	1,000	C2F
11/24/3/E	24	125	3	1,000	C2R
11/24/.2/E	24	200	4.8	500	C2F
*11/30/2/E	24-30	66	2	2,500	C2F
*11/30/1/E	30	70	1	1,000	C2F
11/30/3/E	30	100	3	1,000	C2F
*11/36/.05/E	36	50	1.75	1,000	C2F
*11/42/2/E	42	48	2	1,000	CC2F
*11/48/.04/E	48	40	1.92	1,000	C2F
*11/48/2/E	48	42	2	1,000	CC2F
*11/48/.06/E	48	60	2.88	1,000	C2F
*11/48/5/E	48	104	5	1,000	C2F
*11/60/.02/E	60	20	1.2	1,000	CC2F
*11/60/.04/E	60	40	2.4	1,000	CC2F
*11/60/.05/E	60	50	3	1,000	CC2F



TYPE K11 ROUND 11 x 23mm CAP. Ba9s (MCC) G3¹/₂

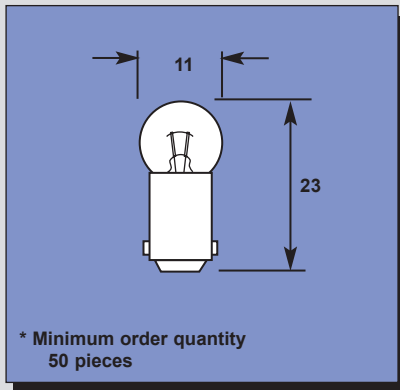
Order Code	Volts	mA	Watts	Average Life Hours	Fil Form
*11/1.3/15/B	1.3	150	.195	1,000	C2R
11/1.5/.09/B	1.5	90	.13	500	C2R
*11/2.5/.2/B	2.5	200	.5	1,000	C2R
11/2.5/.3/B	2.5	300	.7	100	C2R
11/3.5/.2/B	3.5	200	.7	100	C2R
*11/4/.25/B	4	250	1	1,000	C2R
11/4/.3/B	4	300	1.2	1,000	C2R
11/4.8/.3/B	4.8	300	1.45	1,000	C2R
*11/6/.05/B	6	50	.3	1,000	C2R
*11/6/.06/B	6	60	.36	5,000	C2R
11/6/.1/B	6	100	.6	1,000	C2R
*11/6/.18/B	6	180	1	1,000	C2R
11/6/.3/B	6	300	1.8	3,000	C2R
*11/6/2/B	6	333	2	2,500	C2R
11/6/3/B	6	500	3	1,500	C2R
11/6/5/B	6	830	5	1,000	C2R
11/6/6/B	6	1000	6	1,000	C2R
*11/63/.3/B	6.3	300	1.89	1,000	C2R

Continued on next page



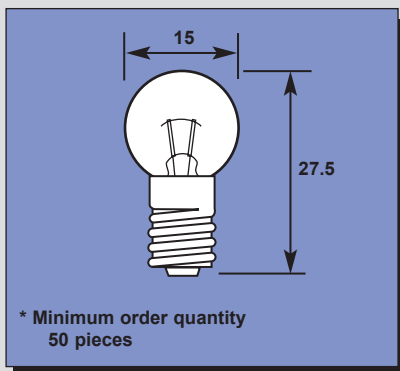
MICRO, SUB-MINIATURE & MINIATURE

TYPE K11 ROUND 11 x 23mm CAP. Ba9s (MCC) G3^{1/2}



Order Code	Volts	mA	Watts	Average Life Hours	Fill Form
11/65/.15/B	6.5	150	.97	3,000	C2R
11/65/.3/B	6.5	300	1.95	3,000	C2R
11/7/.1/B	7	100	.7	1,000	C2R
*11/7/.3/B	7	300	2.1	1,000	C2R
11/12/.05/B	12	50	.6	1,000	C2F
11/12/.1/B	12	100	1.2	1,000	C2F
*11/12/1.5/B	12	125	1.5	1,000	C2F
11/12/2.2/B	12	183	2.2	1,000	C2F
*11/12/.2/B	12	200	2.4	1,000	C2V
11/12/3/B	12	250	3	1,000	C2V
*11/15/2/B	12-15	130	2	5,000	C2V
11/14/.06/B	14	60	.84	3,000	C2F
11/14/.12/B	14	120	1.7	1,000	C2F
11/18/.1/B	18	100	1.8	1,000	C2V
11/24/.05/B	24	50	1.2	1,000	C2F
11/24/2/B	24	80	2	1,000	C2F
11/24/.1/B	24	100	2.4	1,000	C2F
11/24/3/B	24	125	3	1,000	C2F
*11/24/.2/B	24	200	4.8	1,000	C2F
11/30/.04/B	30	40	1.2	1,000	C2F
*11/30/2/B	24-30	66	2	2,500	C2F
*11/30/.07/B	30	70	2.1	2,500	C2F
11/30/3/B	30	100	3	1,000	C2F
*11/35/.05/B	35	50	1.75	1,000	C2F
*11/42/2/B	42	48	2	2,500	CC2F
*11/48/.02/B	48	20	.96	1,000	C2F
11/48/.04/B	48	40	1.92	3,000	CC2F
*11/48/2/B	48	42	2	3,000	CC2F
11/48/.06/B	48	60	2.88	1,000	C2F
*11/48/5/B	48	104	5	1,000	C2F
*11/60/.04/B	60	40	2.4	2,000	CC2F
*11/60/.05/B	60	50	3	1,500	CC2F
*11/70/.04/B	70	40	2.8	3,000	CC2F

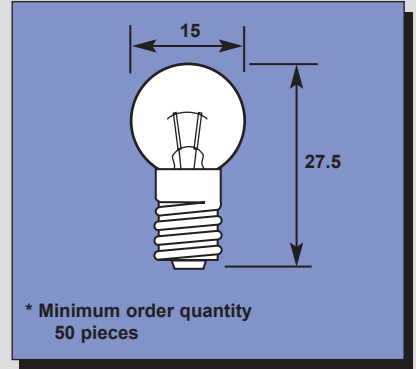
TYPE K15 ROUND 15 x 28mm CAP. E10 (MES) G4^{1/2}



Order Code	Volts	mA	Watts	Average Life Hours	Fill Form
*15/1.3/3/E	1.3	300	.45	50	C2R
15/2.5/5/E	2.5	500	1.25	1,000	C2R
15/2.5/3/E	2.5	1250	3	1,000	C2R
15/3.5/2/E	3.5	200	.7	1,000	C2R
15/3.5/3/E	3.5	300	1.05	50	C2R
*15/4/.1/E	4	100	.4	1,000	C2R
*15/4/.3/E	4	300	1.2	1,000	C2R
15/4/.7/E	4	700	2.8	1,000	C2R
15/4.9/3/E	4.9	300	1.5	1,000	C2R
Continued on next page					

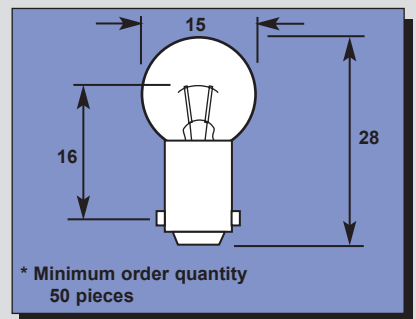
TYPE K15 ROUND 15 x 28mm CAP. E10 (MES) G4^{1/2}

Order Code	Volts	mA	Watts	Average Life Hours	Fil Form
*15/5/.05/E	5	50	.25	1,000	C2R
*15/5/.1/E	5	100	.5	1,000	C2R
15/5/.15/E	5	150	.75	1,000	C2R
*15/6/.05/E	6	50	.3	1,000	C2R
*15/6/.1/E	6	100	.6	1,000	C2R
15/6/.3/E	6	300	1.8	1,000	C2R
*15/6/2/E	6	350	2	1,000	C2R
15/6/.4/E	6	400	2.4	100	C2R
15/6/3/E	6	500	3	1,000	C2R
15/6/5/E	6	800	5	1,000	C2R
*15/6/6/E	6	1A	6	500	C2R
87	6	250	1.5	100	C2R
15/63/.25/E	6.3	250	1.6	1,000	C2R
15/63/2/E	6.3	320	2	1,000	C2R
*15/12/.1/E	12	100	1.2	1,000	C2F
15/12/2/E	12	170	2	1,000	C2V
15/12/2.2/E	12	183	2.2	1,000	C2F
*15/12/.2/E	12	200	2.4	1,000	C2F
15/12/3/E	12	250	3	1,000	C2V
15/12/4/E	12	330	4	1,000	C2R
15/12/5/E	12	410	5	1,000	C2F
15/12/6/E	12	500	6	1,000	C2R
15/14/.55/E	14	550	7.7	300	C2R
*15/16/3/E	16	187	3	1,000	C2F
*15/24/.05/E	24	50	1.2	1,000	C2F
*15/24/2/E	24	83	2	1,000	C2F
15/24/3/E	24	125	3	1,000	C2F
15/24/.15/E	24	150	3.6	1,000	C2F
15/24/5/E	24	200	5	1,000	C2F
*15/28/.15/E	28	150	4.2	1,000	C2F
*15/30/3/E	30	100	3	1,000	C2F
*15/30/5/E	30	166	5	1,000	C2F
*15/48/3/E	42-48	62	3	1,000	C2F
*15/48/5/E	48	104	5	1,000	C2F
*15/60/3/E	60	50	3	1,000	CC2F
*15/60/5/E	60	83	5	1,000	CC2F



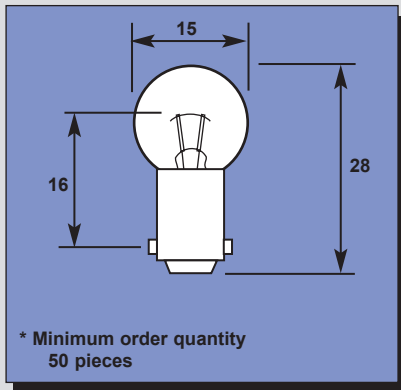
TYPE K15 ROUND 15 x 28mm CAP. Ba9s (MCC) G4^{1/2}

Order Code	Volts	mA	Watts	Average Life Hours	Fil Form
*15/1.3/15/B	1.3	150	.195	1,000	C2R
15/2.4/.5/B	2.4	500	1.2	500	C2R
15/2.4/3/B	2.4	1250	3	400	C2R
*15/2.5/.2/B	2.5	200	.5	1,000	C2R
*15/4/.1/B	4	100	.4	1,000	C2R
*15/4/.3/B	4	300	1.2	1,000	C2R
*15/5/.05/B	5	50	.25	1,000	C2R
*15/5/.1/B	5	100	.5	1,000	C2R
Continued on next page					



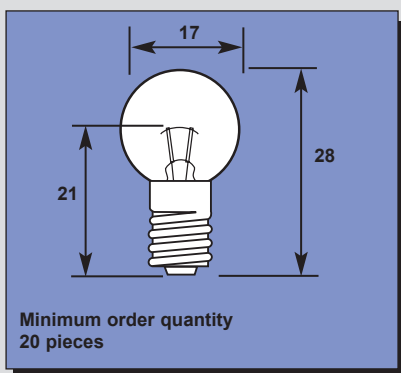
MICRO, SUB-MINIATURE & MINIATURE

TYPE K15 ROUND 15 x 28mm CAP. Ba9s (MCC) G4^{1/2}



Order Code	Volts	mA	Watts	Average Life Hours	Fil Form
*15/6/.05/B	6	50	.3	1,000	C2R
*15/6/.1/B	6	100	.6	1,000	C2R
15/6/.2/B	6	200	1.2	1,000	C2V
15/6/.3/B	6	300	1.8	1,000	C2R
*15/6/2/B	6	330	2	1,000	C2R
15/6/3/B	6	500	3	1,000	C2R
15/6/5/B	6	800	5	1,000	C2R
*15/12/.1/B	12	100	1.2	1,000	C2F
*15/12/.2/B	12	200	2.4	1,000	C2V
15/12/3/B	12	250	3	1,000	C2V
15/12/4/B	12	333	4	1,000	C2R
15/12/5/B	12	410	5	1,000	C2F
15/12/6/B	12	500	6	1,000	C2R
*15/16/3/B	16	187	3	1,000	C2F
15/24/.04/B	24	40	.96	1,000	C2F
*15/24/.05/B	24	50	1.2	1,000	C2F
*15/24/2/B	24	83	2	1,000	C2F
15/24/3/B	24	125	3	1,000	C2F
15/24/5/B	24	200	5	1,000	C2F
*15/28/.15/B	28	150	4.2	1,000	C2F
15/28/.17/B	28	170	5	1,000	C2F
*15/30/3/B	30	100	3	1,000	C2F
*15/30/5/B	30	166	5	1,000	C2F
*15/35/.05/B	35	50	1.75	1,000	C2F
*15/48/3/B	42-48	62	3	1,000	C2F
*15/48/.02/B	48	20	.96	1,000	C2F
*15/48/.06/B	48	60	2.88	1,000	C2F
*15/48/5/B	48	104	5	1,000	C2F
*15/60/3/B	60	50	3	1,000	CC2F
*15/60/5/B	60	83	5	1,000	CC2F
15/130/02/B	130	20	2.6	1,000	Multi

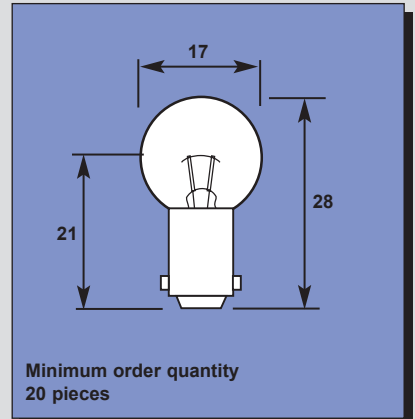
TYPE K17 ROUND 17 x 28mm CAP. E10 (MES) XENON GAS FILLED



Order Code	Volts	mA	Watts	Average Life Hours	Flux Lumens
X245	2.4	1A	2.4	100	19.5
X243	2.4	1.25	3	100	26
X354	3.6	250	.9	500	
X356	3.6	450	1.62	100	14.5
X358	3.6	600	2.16	100	20
X360	3.6	1A	3.6	100	40
X362	3.75	900	3.4	500	31
X363	3.75	1.5A	5.6	500	
X364	4	550	2.2	500	19
X157	4	800	3.2	500	30
X486	4.8	600	2.9	100	31
X415	6	450	2.7	100	30
X416	6	500	3	500	26
X417	6	900	5.4	500	62
X418	6	1A	6	500	31

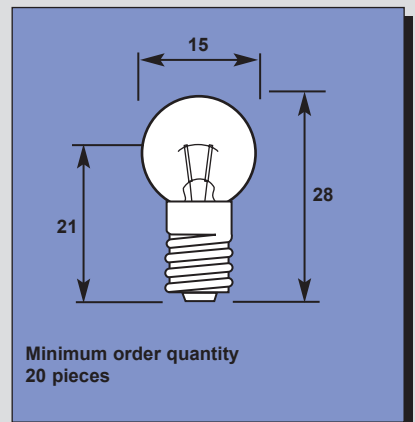
TYPE K17 ROUND 17 x 28mm CAP. Ba9s (MCC) XENON GAS FILLED

Order Code	Volts	mA	Watts	Average Life Hours	Flux Lumens
XB243	2.4	1.25	3	100	26
XB354	3.6	250	.9	500	14.5
XB356	3.6	450	1.62	100	
XB360	3.6	1A	3.6	100	
XB364	4	550	1.82	500	19
XB486	4.8	600	2.9	100	31
XB415	6	450	2.7	100	30
XB418	6	1A	6	500	31
XB2804	12	330	4	500	



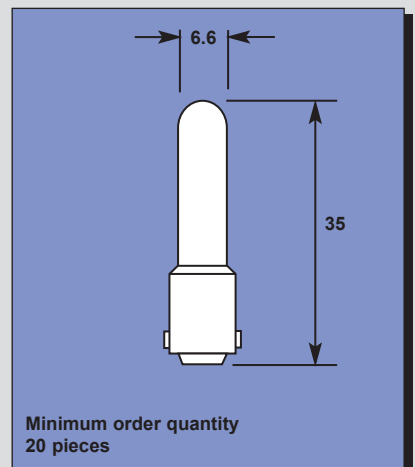
TYPE K15 ROUND 15 x 28mm CAP. E10 (MES) KRYPTON GAS FILLED G4¹/₂

Order Code	Volts	mA	Watts	Average Life Hours	Flux Lumens
K25060	2.5	600	1.5	100	11
K36090	3.6	900	3.2	100	42
K951	3.95	800	3.16	750	29
K953	4	670	2.68	400	27
K954	4	800	3.2	400	33
K956	4	1A	4	400	45
K957	4	1A	4	200	30
K2805	24	200	5	100	



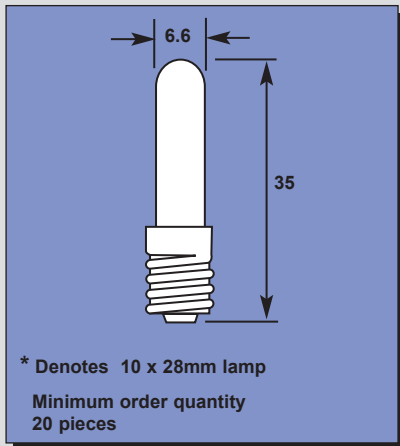
TYPE TELEWRITER TUBULAR 6.6 x 35mm CAP. Ba9s (MCC)

Order Code	Volts	mA	Watts	Average Life Hours	Fil Form
24B3	24	100	2.4	1,000	C2F
24B6	24	100	2.4	1,000	CC2F
50B3	50	55	2.7	1,000	CC2F
60B3	60	60	3.6	1,000	CC2F



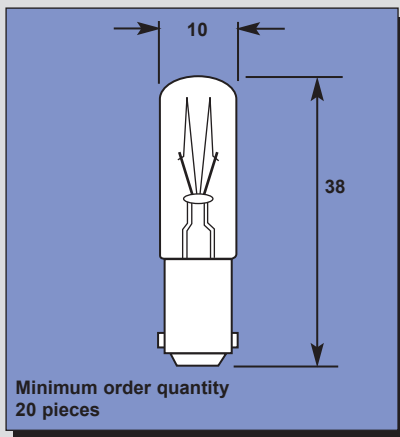
MICRO, SUB-MINIATURE & MINIATURE

TYPE TELEWRITER TUBULAR 6.6 x 35mm CAP. E10 (MES)



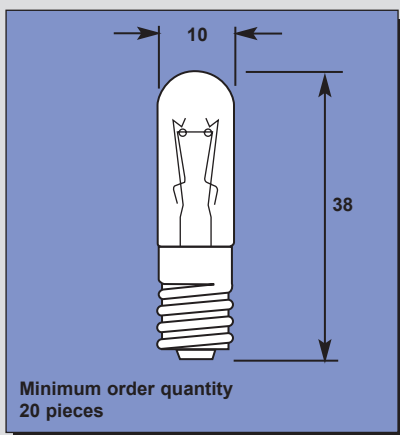
Order Code	Volts	mA	Watts	Average Life Hours	Fil Form
24S3	24	100	2.4	1,000	C2F
24S6	24	100	2.4	1,000	CC2F
50S3	50	55	2.7	1,000	CC2F
*50S5	50	100	5	1,000	CC2F
60S3	60	60	3.6	1,000	CC2F

TYPE R1038 TUBULAR 10 x 38mm CAP. Ba9s (MCC)



Order Code	Volts	mA	Watts	Average Life Hours	Fil Form
38/30/3/B	30	100	3	2,000	C2F
38/48/3/B	48	62	3	2,000	C2F
38/53/7/B	53	130	7	2,000	C4A
38/60/3/B	60	50	3	2,000	C2F
38/130/02/B	130	20	2.6	2,000	CC5
38/160/02/B	160	20	3/4	1,500	CC5
38/230/4/B	230	14	3/4	1,000	CC5

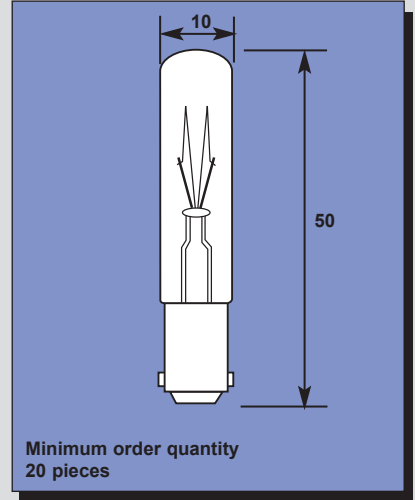
TYPE R1038 TUBULAR 10 x 38mm CAP. E10 (MES)



Order Code	Volts	mA	Watts	Average Life Hours	Fil Form
38/24/2/E	24	80	2	2,000	C2F
38/30.06/E	30	60	1.8	2,000	C2F
38/30/3/E	30	100	3	2,000	C2F
38/48.06/E	48	60	2.8	2,000	C2F
38/60.05/E	60	50	3	2,000	C2F
38/60/5/E	60	833	5	1,000	C2F
38/70/3/E	70	43	3	2,000	C2F
38/130/02/E	130	20	2.6	1,500	CC5
38/130/5/E	130	40	5	1,500	CC5
38/160/3/E	160	22	3	1,500	CC5
38/230/4/E	230	15	3/4	1,000	CC6
38/230/5/E	230	23	5	1,000	CC6

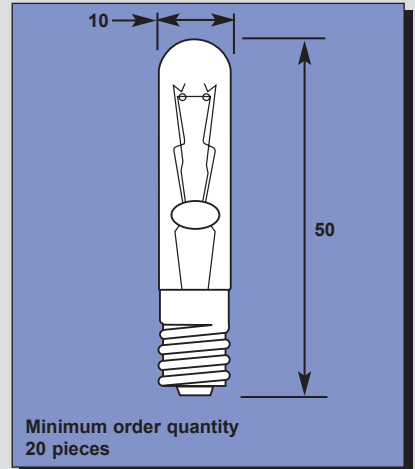
TYPE R1050 TUBULAR 10 x 50mm CAP. Ba9s (MCC)

Order Code	Volts	mA	Watts	Average Life Hours	Fil Form
50/30/3/B	30	100	3	2,000	C2F
50/48/3/B	48	62	3	2,000	C2F
50/60/3/B	60	50	3	2,000	C2F
50/85/4/B	85	47	4	2,000	C2F
50/130/02/B	130	20	2.6	1,500	CC5
50/160/3/B	160	22	3	1,500	CC5
50/230/5/B	230	23	5	1,000	CC5



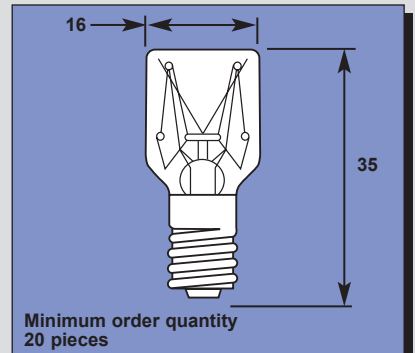
TYPE R1050 TUBULAR 10 x 50mm CAP. E10 (MES)

Order Code	Volts	mA	Watts	Average Life Hours	Fil Form
50/24/3/E	24	125	3	2,000	C2F
50/30/3/E	30	100	3	2,000	C2F
50/48/.06/E	48	60	2.8	2,000	C2F
50/60/3/E	60	50	3	2,000	C2F
50/130/02/E	130	20	2.6	1,500	CC5
50/160/3/E	160	22	3	1,500	CC5
50/230/5/E	230	23	5	1,000	CC5



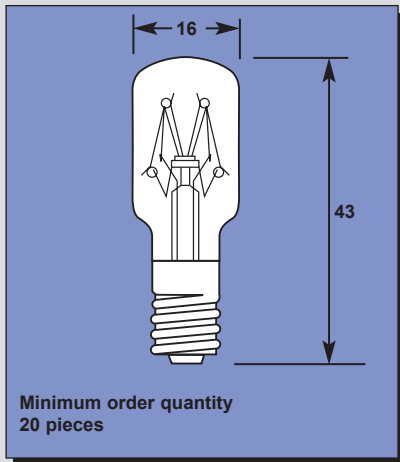
TYPE 1635 TUBULAR 16 x 35mm CAP. E10 (MES)

Order Code	Volts	mA	Watts	Average Life Hours	Fil Form
E3420	12	420	5	2,000	C2R
E3424	24	208	5	2,000	C2V
E3428	48	104	5	2,000	C2F
E3460	60	83	5	2,000	C2F
E3445	160	33	5	2,000	C5A
E3436	255	25	5	2,000	C7A
E3437	255	28	7	2,000	C7A



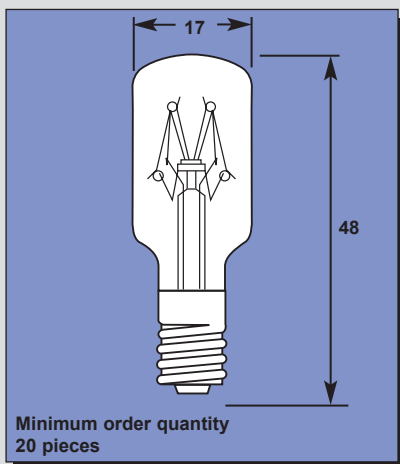
MICRO, SUB-MINIATURE & MINIATURE

TYPE 1643 TUBULAR 16 x 43mm CAP. E10 (MES)



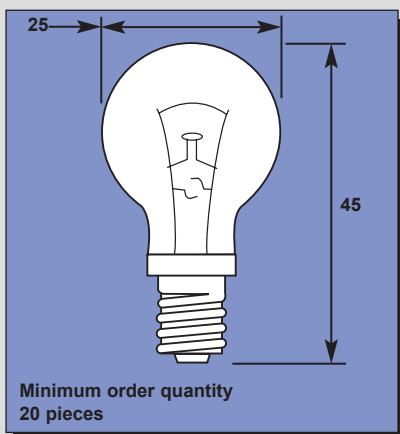
Order Code	Volts	mA	Watts	Average Life Hours	Fil Form
E4220	12	420	5	2,000	C2R
E4262	24	208	5	2,000	C2R
E4265	27	185	5	2,000	C2V
E4248	48	104	5	2,000	C2F
E4260	60	116	7	2,000	C2F
E4267	130	77	10	2,000	C5A
E4276	250	27	7	2,000	C7A
E4278	250	58	15	1,000	C7A

TYPE 1748 TUBULAR 17 x 48mm CAP. E10 (MES)



Order Code	Volts	mA	Watts	Average Life Hours	Fil Form
E4264	220/260	37	7-10	1,000	C7A
E4286	260	58	15	1,000	C7A

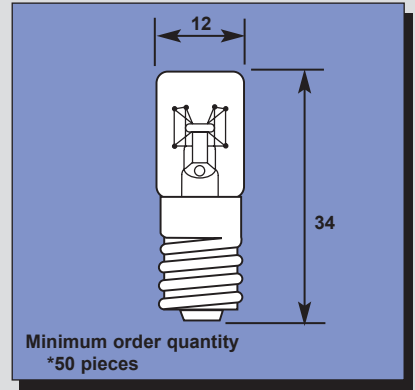
TYPE 2545 ROUND 25 x 45mm CAP. E10 (MES)



Order Code	Volts	mA	Watts	Average Life Hours	Fil Form
E5845	12	1250	15	1,000	C2R
E5846	24	420	10	1,000	C2R
E5847	125	80	10	1,000	C5A
E5848	125	120	15	1,000	C5A
E5855	230	44	10	1,000	C7A
E5850	230	65	15	1,000	C7A

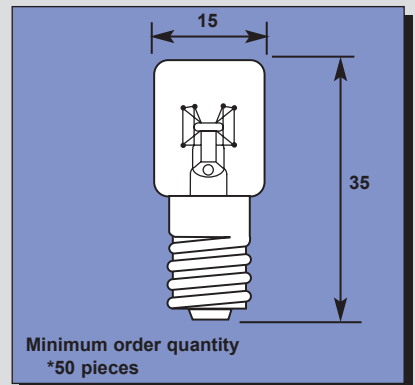
TYPE 1334 TUBULAR 13 x 34mm CAP. E12 (CANDELABRA)

Order Code	Volts	mA	Watts	Average Life Hours	Fil Form
*34/6/2/C	6	330	2	1,000	C2R
*34/6/3/C	6	500	3	1,000	C2R
*34/12/1/C	12	100	1.2	2,000	C2V
*34/12/2/C	12	166	2	3,000	C2V
*34/12/3/C	12	250	3	1,500	C2R
34/18/2/C	18	111	2	2,000	C2V
34/24/2/C	24	85	2	2,000	C2F
34/24/3/C	24	125	3	2,000	C2F
34/28/2/C	28	70	2	2,000	C2F
34/28/3/C	28	108	3	2,000	C2F
*34/30/3/C	30	110	3	5,000	C2F
34/30/5/C	30	165	5	2,000	C2F
34/110/N	110	1.5		10,000	Neon
34/115/5/C	115	43	5	2,000	Multi
34/130/5/C	130		5	2,000	Multi
34/220/4/C	220	20	3/4	2,000	Multi
34/220/N	220	1.6		10,000	Neon



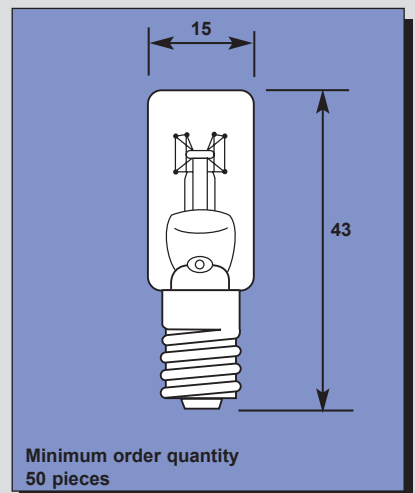
TYPE R1535 TUBULAR 15 x 35mm CAP. E12 (CANDELABRA)

Order Code	Volts	mA	Watts	Average Life Hours	Fil Form
35/6/3/C	6	500	3	2,500	C2R
35/6/5/C	6	830	5	1,500	C2R
35/12/3/C	12	250	3	3,000	C2V
35/12/5/C	12	420	5	2,000	C2V
35/24/3/C	24	125	3	5,000	C2F
35/24/5/C	24	200	5	2,000	C2F
35/30/5/C	24-30	140	3-5	2,000	C2F
35/48/5/C	48	104	5	2,000	C2F
35/60/5/C	60	83	5	2,000	CC2F
35/130/7/C	110-130	50	4/7	2,000	Multi
35/160/5/C	160	31	5	5,000	Multi
35/260/7/C	220-260	27	5/7	5,000	Multi



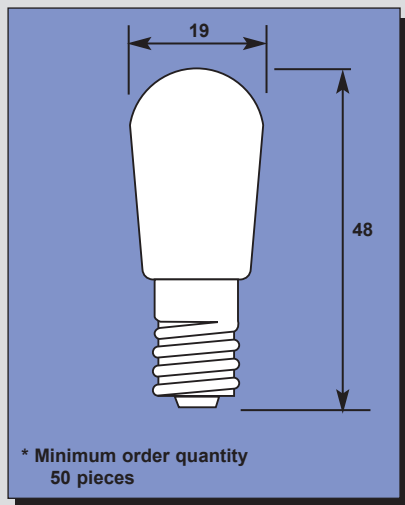
TYPE R1543 TUBULAR 15 x 43mm CAP. E12 (CANDELABRA)

Order Code	Volts	mA	Watts	Average Life Hours	Fil Form
43/6/5/C	6	833	5	2,000	C2R
43/12/5/C	12	416	5	2,000	C2F
43/24/5/C	24	208	5	2,000	C2F
43/30/5/C	30	166	5	2,000	C2F
43/30/10/C	24-30	330	6/10	1,000	C2V
43/32/6/C	32	187	6	2,000	C2F
43/48/5/C	48	104	5	2,000	C2F
43/60/5/C	60	83	5	2,000	C2F
43/95/10/C	65-95		6/10	1,000	C3A
43/120/6/C	120	50	6	2,000	Multi
43/140/10/C	110/140	72	6/10	2,000	Multi
43/130/5/C	130	38	5	2,000	Multi
43/250/7/C	250	28	7	2,000	Multi
43/260/7/C	220/260	26	5/7	2,000	Multi
43/260/10/C	220/260	38	6/10	2,000	Multi



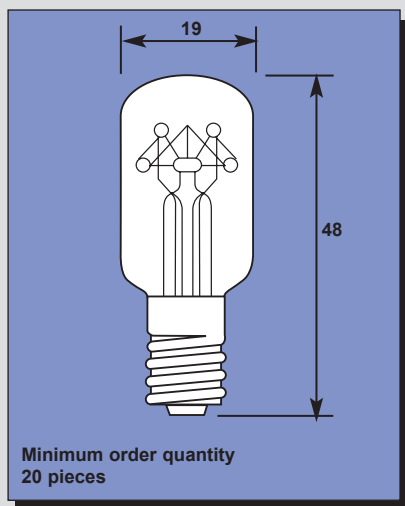
SMALL INDICATOR & PILOT LAMPS

TYPE K19 19 x 48mm CAP. E12 (CANDELABRA) 6S6



Order Code	Volts	mA	Watts	Average Life Hours	Fil Form
*19/6/3/C	6	500	3	2,000	C2R
*19/6/5/C	6	830	5	1,500	C2R
19/6/6/C	6	1000	6	1,500	C2R
*19/12/3/C	12	250	3	3,000	C2V
*19/12/5/C	12	420	5	1,500	C2V
19/12/6/C	12	500	6	1,500	C2V
19/24/7/C	18-24	290	5/7	2,000	C2F
*19/24/5/C	24	200	5	2,000	C2F
*19/30/4/C	30	130	4	2,500	C2F
19/30/6/C	30	190	6	1,500	C2F
*19/36/5/C	36	140	5	2,000	C2F
*19/48/5/C	48	104	5	2,000	C2F
19/48/6/C	48	125	6	1,500	C2F
*19/60/5/C	60	83	5	2,000	C2F
19/60/6/C	60	100	6	1,500	C7A
19/75/6/C	75	80	6	1,500	C7A
19/120/6/C	120	50	6	1,500	C7A
19/130/4/C	130	30	4	1,500	C7A
19/130/6/C	130	46	6	1,500	C7A
19/135/6/C	135	44	6	1,500	C7A
19/140/7/C	110-140	31	5-7	2,000	Multi
19/145/6/C	145	41	6	1,500	C7A
19/155/6/C	155	38	6	1,500	C7A
19/230/6/C	230	26	6	1,500	C7A
19/250/6/C	250	24	6	1,500	C7A
19/250/10/C	250	40	10	1,500	C7A
19/260/7/C	220-260	27	5-7	2,500	Multi
19/260/10/C	260	38	10	2,000	C7A

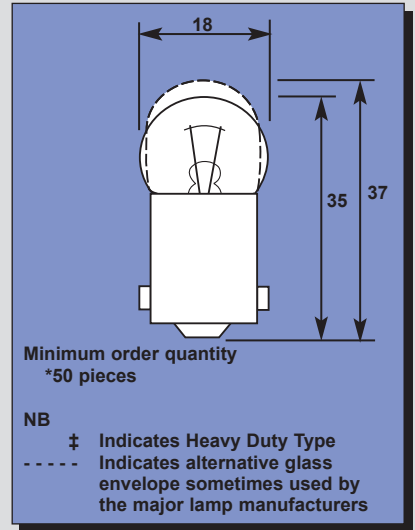
MINIATURE PILOT LAMP 19 x 48mm CAP. E12 (CANDELABRA)



Order Code	Volts	mA	Watts	Average Life Hours	Fil Form
MP/130/10/C	100-130	76	6/10	1,000	Multi
MP/250/10/C	200-250	40	6/10	1,000	Multi

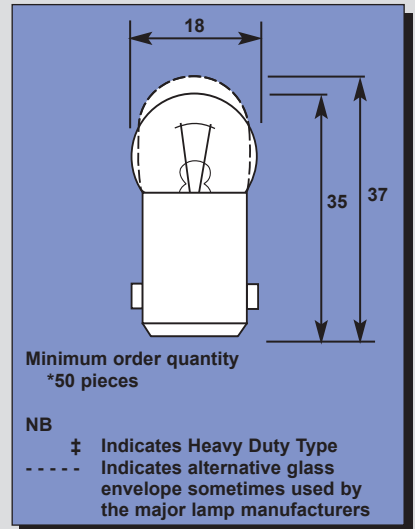
TYPE K18 ROUND 18 x 35mm CAP. Ba15s (SCC)

Order Code	Volts	mA	Watts	Average Life Hours	Fill Form
*18/2.5/2/Bs	2.5	800	2	1,000	C6
*18/4/1/Bs	4	250	1	1,000	C2R
*18/4/2/Bs	4	500	2	1,000	C2R
*18/4/3/Bs	4	750	3	1,000	C2R
*18/6/1/Bs	6	166	1	1,000	C2R
*18/6/2/Bs	6	333	2	1,000	C2R
18/6/3/Bs	6	500	3	1,000	C2R
18/6/5/Bs	6	830	5	1,000	C2R
18/6/8/Bs	6	1328	8	1,000	C2R
18/6/10/Bs	6	1660	10	1,000	C2R
18/6/15/Bs	6	2500	15	1,000	C2R
*18/12/1/Bs	12	83	1	1,000	C2V
*18/12/2/Bs	12	166	2	1,000	C2R
*18/12/2/Bs	12	200	2.4	5,000	C2V
18/12/3/Bs	12	250	3	1,000	C2R
18/12/5/Bs	12	415	5	1,000	C2R
18/12/8/Bs	12	664	8	1,000	C2R
18/12/10/Bs	12	830	10	1,000	C2R
18/12/15/Bs	12	1250	15	1,000	C2R
18/24/11/B	24	40	1.00	1,000	C2F
*18/24/1/Bs	24	40	1	1,000	C2F
*18/24/2/Bs	24	83	2	1,000	C2F
18/24/3/Bs	24	125	3	1,000	C2F
18/24/5/Bs	24	208	5	1,000	C2F
†18/24/5/BsHD	24	208	5	1,000	C2F
18/24/10/Bs	24	415	10	1,000	C2F
18/24/15/Bs	24	625	15	1,000	C2F
18/28/7/Bs	28	250	7	1,000	C2F
*18/30/3/Bs	30	100	3	5,000	C2F
*18/30/5/Bs	30	166	5	2,000	C2F
*18/36/3/Bs	36	83	3	5,000	C2F
*18/36/5/Bs	36	140	5	2,000	C2F
*18/48/3/Bs	42-48	62	3	3,000	C2F
*18/48/5/Bs	42-48	104	5	2,000	C2F
A4187	48		10		C2F
*18/60/3/Bs	48-60	50	3	3,000	C2F
*18/60/5/Bs	48-60	83	5	2,000	C2F
*18/60/6/Bs	60	100	6		C2F
*18/80/04/Bs	70-80	40	3.2	3,000	CC2F
*18/80/5/Bs	70-80	63	5	2,000	CC2F



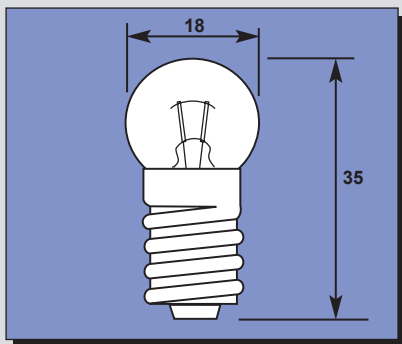
TYPE K18 ROUND 18 x 35mm CAP. Ba15d (SBC)

Order Code	Volts	mA	Watts	Average Life Hours	Fill Form
*18/4/3/B	4	300	1.2	5,000	C2R
*18/4/3/B	4	750	3	2,500	C2R
*18/6/3/B	6	300	1.8	5,000	C2R
18/6/3/B	6	500	3	1,000	C2R
18/6/5/B	6	830	5	1,000	C2R
18/6/10/B	6	1660	10	1,000	C2R
*18/12/2/B	12	200	2.4	5,000	C2V
18/12/3/B	12	250	3	1,000	C2R
18/12/5/B	12	420	5	1,000	C2R
18/12/10/B	12	830	10	1,000	C2R
18/24/1/B	24	40	1.0	1,000	C2F
18/24/3/B	24	125	3	1,000	C2F
18/24/5/B	24	200	5	1,000	C2F
†18/24/5/BHD	24	200	5	1,000	C2F
18/24/10/B	24	415	10	1,000	C2F
18/28/7/B	28	250	7	1,000	C2F
*18/30/3/B	30	100	3	5,000	C2F
*18/30/5/B	30	166	5	2,000	C2F
*18/36/3/B	36	83	3	5,000	C2F
*18/36/5/B	36	140	5	2,000	C2F
*18/48/3/B	42-48	62	3	3,000	C2F
*18/48/5/B	42-48	104	5	2,000	C2F
*18/60/3/B	48-60	50	3	3,000	C2F
*18/60/5/B	48-60	83	5	2,000	C2F
*18/80/04/B	70-80	40	3.2	1,000	CC2F
*18/80/5/B	70-80	63	5	1,000	CC2F



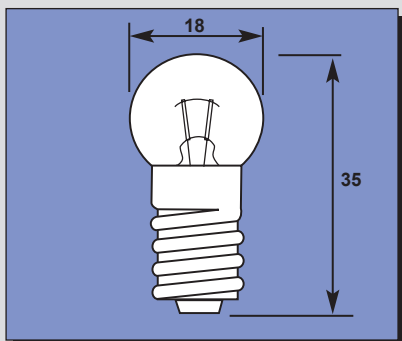
SMALL INDICATOR & PILOT LAMPS

TYPE K18 ROUND 18 x 35mm CAP. E14 (SES)



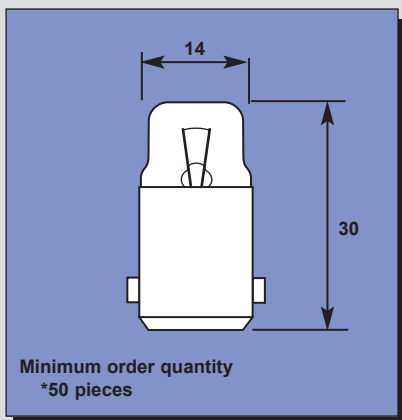
Order Code	Volts	mA	Watts	Average Life Hours	Fil Form
18/4/3/E	4	750	3	2,000	C2R
18/6/3/E	6	500	3	2,000	C2R
18/8/3/E	8	375	3	2,000	C2R
18/12/3/E	12	250	3	2,000	C2R
18/12/5/E	12	415	5	2,000	C2R
18/14/3/E	14	215	3	2,000	C2R
18/24/3/E	24	125	3	2,000	C2F
18/60/3/E	60	50	3	2,000	C2F
18/130/3/E	130	.03	3	2,000	Multi

TYPE K18 ROUND 18 x 35mm CAP. E12 CANDELABRA



Order Code	Volts	mA	Watts	Average Life Hours	Fil Form
18/12/5/C	12	415	5	2,000	

TYPE R14 TUBULAR 13 x 30mm CAP. Ba15d (SBC)



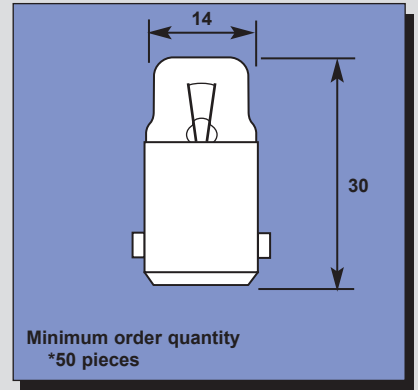
Order Code	Volts	mA	Watts	Average Life Hours	Fil Form
*14/4/1/B	4	250	1	5,000	C2R
*14/4/3/B	4	750	3	1,500	C2R
*14/6/1/B	6	180	1	10,000	C2V
*14/6/2/B	6	200	1.2	1,000	C2R
*14/6/2/B	6	330	2	5,000	C2R
*14/6/3/B	6	500	3	2,000	C2R
*14/12/1/B	12	100	1.2	1,000	C2V
*14/12/1.2/B	12	120	1.44	2,500	C2V
*14/12/2/B	12	166	2	6,000	C2V
*14/12/3/B	12	250	3	1,000	C2F
*14/12/5/B	12	416	5	1,000	C2V
*14/15/2/B	12-15	133	2	5,000	C2V
*14/24/.05/B	24	50	1.2	10,000	C2F
14/24/.08/B	24	80	1.92	1,000	C2F
14/24/3/B	24	125	3	1,000	C2F
14/24/4/B	24	166	4	1,000	
*14/24/5/B	24	200	5	1,000	C2V
*14/30/1.5/B	30	50	1.5	10,000	C2F
*14/30/2/B	30	66	2	1,000	C2F
*14/30/3/B	30	100	3	1,000	C2F
*14/30/5/B	30	166	5	1,000	C2F
*14/36/.05/B	36	50	1.8	10,000	C2F
*14/36/2/B	36	55	2	6,000	C2F
*14/36/3/B	36	83	3	2,500	C2F
*14/45/2/B	36-45	44	2	5,000	C2F
*14/45/4/B	36-45	88	4	2,000	C2F

Continued on next page

SMALL INDICATOR & PILOT LAMPS

TYPE R14 TUBULAR 13 x 30mm CAP. Ba15d (SBC)

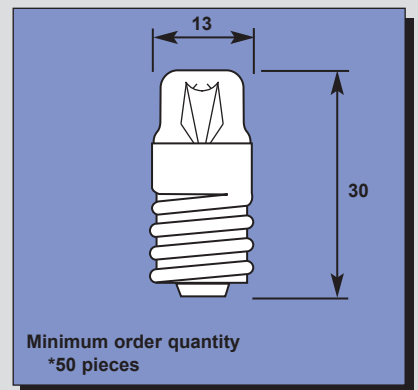
Order Code	Volts	mA	Watts	Average Life Hours	Fil Form
*14/42/.05/B	42	50	2.1	6,000	CC2F
*14/48/.04/B	42-48	40	2	2,000	CC2F
*14/48/.06/B	42-48	60	3	3,000	CC2F
*14/48/2/B	48	42	2	5,000	CC2F
*14/48/.05/B	48	50	2.4	2,500	CC2F
*14/48/3/B	48	62	3	1,000	C2F
*14/48/5/B	48	104	5	1,000	C2F
*14/60/.02/B	60	20	1.2	1,000	CC2F
*14/60/2/B	60	33	2	5,000	CC2F
*14/60/.04/B	60	40	2.4	1,000	CC2F
*14/60/.05/B	60	50	3	1,000	CC2F
*14/60/5/B	60	83	5	1,000	CC2F
*14/70/.02/B	70	20	1.4	6,000	CC2F
*14/70/.04/B	70	40	2.8	2,500	CC2F
*14/70/3/B	70	43	3	2,500	CC2F
*14/80/.02/B	80	20	1.6	5,000	CC2F
*14/80/3/B	80	37	3	2,500	CC2F
*14/80/5/B	80	63	5	1,500	CC2F
*14/130/5/B	130	38	5	1,000	C5A
*14/130/02/B	130	20	2.6	1,000	Multi
*14/160/5/B	130-160	31	5	1,000	Multi
*14/260/5/B	220-260	20	5	1,000	CC2F



TYPE R14 TUBULAR 13 x 30mm CAP. E14 (SES)

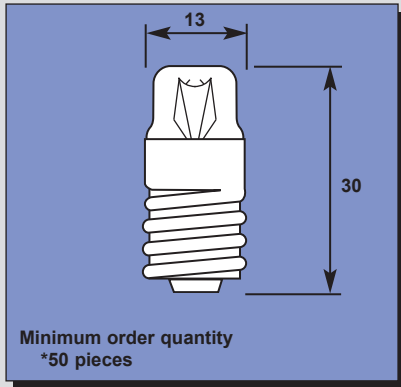
Order Code	Volts	mA	Watts	Average Life Hours	Fil Form
*14/4/1/E	4	250	1	5,000	C2R
*14/4/3/E	4	750	3	1,500	C2R
*14/6/1/E	6	180	1	10,000	C2V
*14/6/.2/E	6	200	1.2	1,000	C2V
*14/6/2/E	6	330	2	5,000	C2R
*14/6/3/E	6	500	3	2,000	C2R
*14/7/2/E	6-7	290	2	5,000	C2R
*14/12/1.1/E	12	100	1.2	1,000	C2V
*14/12/1.12/E	12	120	1.44	2,500	C2V
*14/12/2/E	12	166	2	6,000	C2V
*14/12/3/E	12	250	3	1,000	C2F
*14/12/5/E	12	416	5	1,000	C2V
*14/15/2/E	12-15	133	2	5,000	C2V
*14/24/.05/E	24	50	1.2	10,000	C2F
*14/24/.08/E	24	80	1.92	1,000	C2F
*14/24/3/E	24	125	3	1,000	C2F
*14/24/5/E	24	200	5	1,000	C2
*14/30/1.5/E	30	50	1.5	10,000	C2F
*14/30/2/E	30	66	2	1,000	C2F
*14/30/3/E	30	100	3	1,000	C2F
*14/30/5/E	30	166	5	1,000	C2F
*14/36/.05/E	36	50	1.8	10,000	C2F
*14/36/2/E	36	55	2	6,000	C2F
*14/36/3/E	36	83	3	2,500	C2F
*14/45/2/E	36-45	44	2	5,000	C2F
*14/45/4/E	36-45	88	4	2,000	C2F
*14/42/.05/E	42	50	2.1	6,000	C2F
*14/48/.04/E	48	40	1.92	1,000	CC2F
*14/48/2/E	48	42	2	5,000	CC2F
*14/48/.05/E	48	50	2.4	2,500	CC2F
*14/48/3/E	48	62	3	1,000	CC2F
*14/48/5/E	48	104	5	1,000	C7

Continued on next page



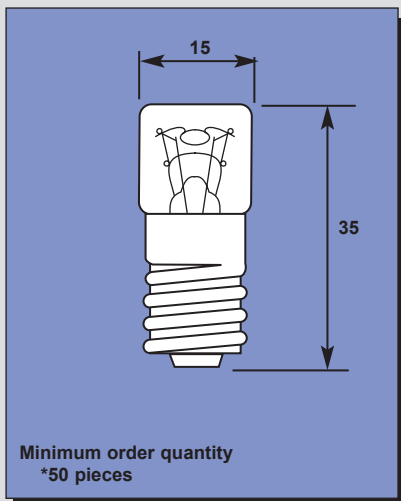
SMALL INDICATOR & PILOT LAMPS

TYPE R14 TUBULAR 13 x 30mm CAP. E14 (SES)



Order Code	Volts	mA	Watts	Average Life Hours	Fil Form
*14/60/.02/E	60	20	1.2	1,000	C2F
*14/60/2/E	60	33	2	5,000	CC2F
*14/60/.04/E	60	40	2.4	2,000	CC2F
14/60/.05/E	60	50	3	1,000	CC2F
14/60/5/E	60	83	5	1,000	CC2F
*14/70/.02/E	70	20	1.4	6,000	CC2F
*14/70/.04/E	70	40	2.8	2,500	CC2F
*14/70/3/E	70	43	3	2,500	CC2F
*14/80/.04/E	70-80	40	3.2	3,000	CC2F
*14/80/.02/E	80	20	1.6	5,000	CC2F
*14/80/3/E	80	37	3	2,500	CC2F
*14/80/5/E	80	63	5	1,500	CC2F
*14/130/5/E	110-130		5	1,000	Multi
14/130/02/E	130	20	2.6	1,000	CC2F
14/160/5/E	130-160		5	1,000	Multi
14/260/5/E	220-260	19	5	2,000	CC2F

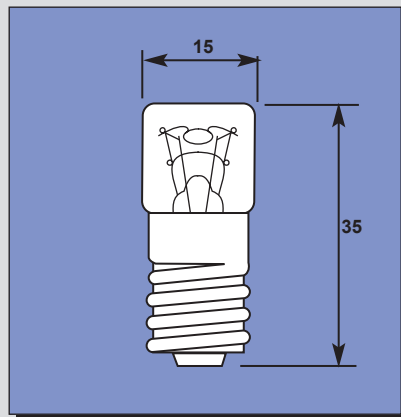
TYPE R1535 TUBULAR 15 x 35mm CAP. E14 (SES)



Order Code	Volts	mA	Watts	Average Life Hours	Fil Form
35/6/1/E	6	166	1	1,000	C2R
35/6/2/E	6	350	2	1,000	C2R
*35/6/3/E	6	500	3	2,500	C2R
35/6/4/E	6	660	4	1,000	C2R
35/6/5/E	6	830	5	1,000	C2R
35/8/3/E	8	375	3	1,000	C2R
35/12/2/E	12	166	2	1,000	C2R
*35/12/3/E	12	250	3	1,000	C2F
35/12/4/E	12	330	4	1,000	C2R
*35/12/5/E	12	420	5	1,000	C2V
*35/24/.08/E	24	80	1.92	1,000	C2F
*35/24/3/E	24	125	3	1,000	C2F
35/24/5/E	24	200	5	1,000	C2V
*35/30/1.5/E	30	50	1.5	1,000	C2F
*35/30/2/E	30	60	2	1,000	C2F
*35/30/3/E	30	100	3	1,000	C2F
35/30/4/E	30	130	4	2,000	C2V
35/30/5/E	30	166	5	1,000	C2V
35/42/3/E	42	72	3	2,000	C3A
35/42/5/E	42	120	5	2,000	C3A
*35/48/3/E	48	62	3	1,000	C2F
35/48/4/E	48	80	4	2,000	C3A
35/48/5/E	48	104	5	1,000	C2F
*35/60/.02/E	60	20	1.2	1,000	C2F
35/60/2/E	60	33	2	2,000	C3A
*35/60/3/E	60	50	3	1,000	CC2F
35/60/4/E	60	66	4	1,000	C3A
35/60/5/E	60	83	5	1,000	C7A
35/70/4/E	70	57	4	1,000	C3A
*35/80/5/E	80	87	5	1,000	C7A
35/85/6/E	85	70	6	2,000	C3A
35/130/02/E	110-130	20	2.6	1,000	CC4F
35/130/5/E	130	38	5	1,000	C5A
35/140/7/E	110-140	50	4/7	1,000	C5A
35/160/5/E	160	31	5	1,000	C5A
Continued on next page					

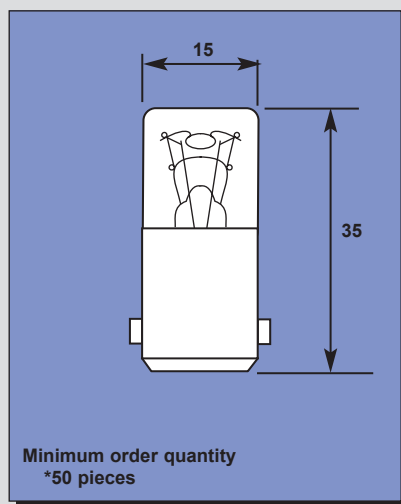
TYPE R1535 TUBULAR 15 x 35mm CAP. E14 (SES)

Order Code	Volts	mA	Watts	Average Life Hours	Fil Form
35/255/5/E	255	20	5	1,000	C7A
35/260/5/E	260	20	5	1,000	Multi
35/260/7/E	220-260	27	5/7	1,000	Multi
35/260/10/E	260	38	10	1,000	Multi
35/300/5/E	300	16	5	1,000	CC7A
35/300/10/E	300	33	10	1,000	C7A



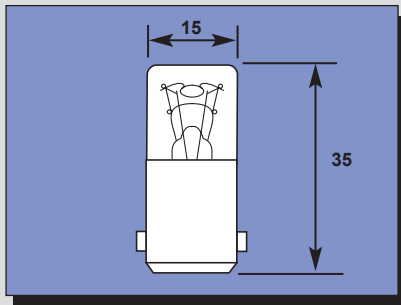
TYPE R1535 TUBULAR 15 x 35mm CAP. Ba15d (SBC)

Order Code	Volts	mA	Watts	Average Life Hours	Fil Form
35/6/1.2/B	6	200	1.2	1,000	C2R
35/6/2/B	6	350	2	1,000	C2R
*35/6/3/B	6	500	3	2,500	C2R
35/6/4/B	6	660	4	2,000	C2R
*35/6/5/B	6	830	5	1,000	C2R
35/12/1.5/B	12	125	1.5	1,000	C2V
35/12/2/B	12	166	2	1,000	C2R
*35/12/3/B	12	250	3	1,000	C2F
35/12/4/B	12	330	4	2,000	C2R
*35/12/5/B	12	420	5	1,000	C2V
*35/24/.08/B	24	80	1.92	1,000	C2F
*35/24/3/B	24	125	3	1,000	C2F
35/24/5/B	24	200	5	1,000	C2V
*35/30/1.5/B	30	50	1.5	1,000	C2F
*35/30/2/B	30	60	2	1,000	C2F
*35/30/3/B	30	100	3	1,000	C2F
35/30/4/B	30	130	4	2,000	C2V
35/30/5/B	30	166	5	1,000	C2V
35/32/6/B	32	187	6	1,000	C2F
35/36/3/B	36	83	3	2,000	C2F
35/36/5/B	36	138	5	2,000	C2F
35/42/3/B	42	72	3	2,000	C3A
*35/48/3/B	48	62	3	1,000	C2F
35/48/4/B	48	80	4	2,000	C3A
35/48/5/B	48	104	5	1,000	C7A
*35/60/.02/B	60	20	1.2	1,000	C2F
35/60/2/B	60	33	2	2,000	C3A
*35/60/3/B	60	50	3	1,000	CC2F
35/60/4/B	60	66	4	2,000	C3A
35/60/5/B	60	83	5	1,000	C7A
35/70/4/B	70	57	4	1,000	C3A
*35/80/5/B	80	87	5	1,000	C7A
35/85/4/B	85	47	4	2,000	C3A
35/85/5/B	85	60	5	2,000	C3A
35/130/02/B	110-130	20	2.6	1,000	CC4F
35/130/5/B	130	38	5	1,000	Multi
35/140/7/B	110-140	50	4/7	1,000	Multi
35/160/5/B	160	31	5	1,000	Multi



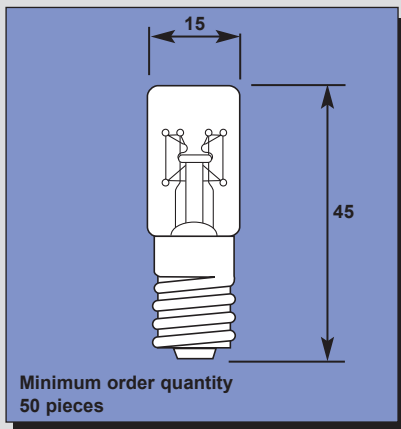
SMALL INDICATOR & PILOT LAMPS

TYPE R1535 TUBULAR 15 x 35mm CAP. Ba15d (SBC)



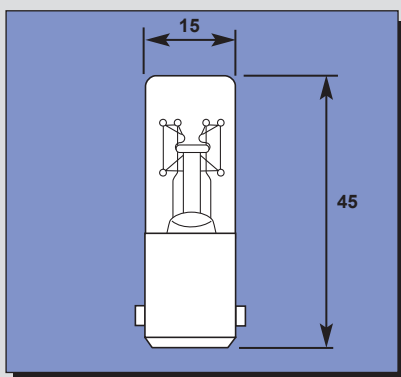
Order Code	Volts	mA	Watts	Average Life Hours	Fil Form
35/220/3/B	220	13	3	1,000	C7A
35/220/5/B	220	23	5	1,000	C7A
35/255/5/B	255	20	5	1,000	C7A
35/260/5/B	260	20	5	1,000	Multi
35/260/7/B	220-260	27	5/7	1,000	Multi
35/260/10/B	260	38	10	1,000	Multi
35/300/5/B	300	16	5	1,000	CC7A
35/300/10/B	300	33	10	1,000	CC7A

TYPE R1543 TUBULAR 15 x 43mm CAP. E14 (SES)



Order Code	Volts	mA	Watts	Average Life Hours	Fil Form
43/6/3/E	6	500	3	2,000	C2R
43/6/5/E	6	833	5	2,000	C2R
43/12/4/E	12	333	4	2,000	C2R
43/12/5/E	12	417	5	2,000	C2R
43/12/15/E	12	1.25A	15	2,000	C2R
43/24/3/E	24	125	3	2,000	C2V
43/24/5/E	24	208	5	2,000	C2V
43/24/10/E	24	420	10	2,000	C2V
43/30/10/E	24-30	500	6/10	2,000	C2V
43/30/5/E	30	166	5	2,000	C2V
43/42/5/E	42	119	5	2,000	C2F
43/48/5/E	48	105	5	2,000	C3A
43/48/10/E	48	208	10	2,000	C3A
43/60/4/E	60	66	4	2,000	C3A
43/60/5/E	60	83	5	2,000	C3A
43/60/7/E	60	116	7	2,000	C3A
43/95/10/E	65-95	105	6/10	2,000	C3A
43/110/5/E	110	45	5	2,000	C5A
43/140/7/E	140	50	7	2,000	C5A
43/140/10/E	110-140	72	6/10	2,000	C5A
43/130/5/E	130	38	5	2,000	C5A
43/250/7/E	220-250	28	5/7	2,000	C7A
43/260/10/E	220/260	38	6/10	2,000	C7A
43/380/10/E	380	26	10	2,000	C7A

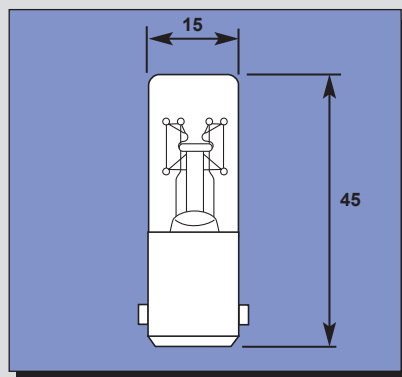
TYPE R1543 TUBULAR 15 x 43mm CAP. Ba15d (SBC)



Order Code	Volts	mA	Watts	Average Life Hours	Fil Form
43/6/3/B	6	500	3	2,000	C2R
43/6/5/B	6	833	5	2,000	C2R
43/12/4/B	12	333	4	2,000	C2R
43/12/5/B	12	417	5	2,000	C2R
43/12/15/B	12	1.25A	15	2,000	C2R
43/24/3/B	24	125	3	2,000	C2V
43/24/5/B	24	208	5	2,000	C2V
43/24/10/B	24	420	10	2,000	C2V
Continued on next page					

TYPE R1543 TUBULAR 15 x 43mm CAP. Ba15d (SBC)

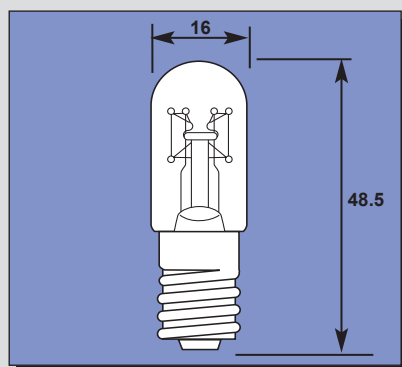
Order Code	Volts	mA	Watts	Average Life Hours	Fil Form
43/30/10/B	24-30	500	6/10	2,000	C2V
43/30/5/B	30	166	5	2,000	C2V
43/42/5/B	42	119	5	2,000	C2F
43/48/5/B	48	105	5	2,000	C3A
43/48/10/B	48	208	10	2,000	C3A
43/60/4/B	60	66	4	2,000	C3A
43/60/5/B	60	83	5	2,000	C3A
43/60/7/B	60	116	7	2,000	C3A
43/80/6/B	80	75	6	2,000	C3A
43/95/10/B	65-95	105	6/10	2,000	C3A
43/110/5/B	110	45	5	2,000	C5A
43/140/7/B	140	50	7	2,000	C5A
43/140/10/B	110-140	72	6/10	2,000	C5A
43/130/5/B	130	38	5	2,000	C5A
43/250/7/B	220-250	28	5/7	2,000	C7A
43/260/10/B	220/260	38	6/10	2,000	C7A
43/380/10/B	380	26	10	2,000	C7A



TYPE 1648 TUBULAR 16 x 48mm CAP. E14 (SES)

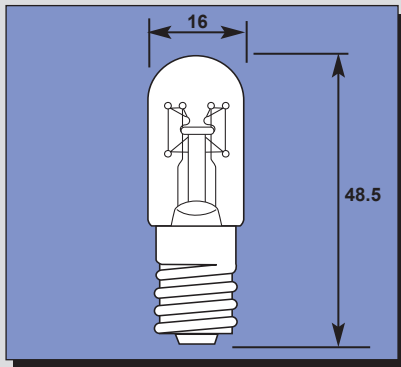
Order Code	Volts	mA	Watts	Average Life Hours	Fil Form
*48/6/3/E	6	500	3	2,000	C6
*48/6/5/E	6	833	5	2,000	C6
*48/6/7/E	6	1160	7	10,000	C6
*48/12/3/E	12	250	3	3,000	CC6
*48/12/5/E	12	416	5	4,000	C2F
*48/12/7/E	12	583	7	3,000	C2F
48/24/3/E	24	125	3	2,000	C3M
*48/24/4/E	24	170	4	2,500	C3M
48/24/5/E	24	208	5	2,500	C3M
*48/24/7/E	24	291	7	1,500	C3M
*48/30/10/E	24-30		7/10	1,000	C2F
*48/30/3/E	30	100	3	2,000	C3M
48/30/5/E	30	166	5	2,000	C3M
*48/30/7/E	30	233	7	2,000	C3M
*48/36/5/E	36	138	5	2,000	C3M
*48/42/3/E	42	71	3	3,000	C3M
*48/42/5/E	42	119	5	2,000	C3M
*48/42/7/E	42	166	7	2,000	C3M
*48/48/3/E	48	62	3	3,000	C3M
48/48/5/E	48	104	5	2,000	C3M
*48/48/7/E	48	146	7	2,000	C3M
48/48/10/E	48-60	166	7/10	2,000	C3A
*48/60/3/E	60	50	3	2,000	C3M
*48/60/4/E	60	66	4	2,500	C3M
48/60/5/E	60	83	5	2,000	C3M
48/60/7/E	60	116	7	2,000	CC3M
48/60/10/E	60	166	10	2,000	C3A
*48/80/5/E	80	62	5	2,000	CC3M
*48/80/7/E	80	87	7	2,000	CC3M

Continued on next page



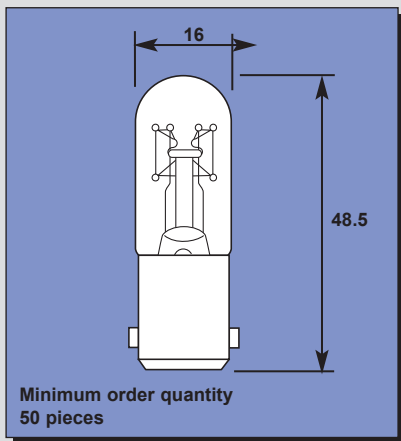
SMALL INDICATOR & PILOT LAMPS

TYPE 1648 TUBULAR 16 x 48mm CAP. E14 (SES)



Order Code	Volts	mA	Watts	Average Life Hours	Fil Form
48/130/5/E	110-130	38	3/5	2,000	C7S
48/130/7/E	110-130	53	5/7	2,000	C7S
48/130/10/E	110-130	76	7/10	2,000	C7S
48/130/15/E	130	115	15	2,000	C5A
48/140/10/E	110-140	71	7/10	2,000	C5A
48/150/5/E	150	33	5	2,000	C7S
*48/150/7/E	150	46	7	2,500	C7S
48/260/6/E	220-260	23	4/6	2,000	CC7S
48/260/7/E	220-260	26	5/7	2,000	CC7S
48/260/10/E	220-260	38	7/10	2,000	CC7S
48/260/10/ER	220-260	38	7/10	Infrared	CC7S
48/260/15/E	260	58	15	2,000	C7A
48/380/10/E	380	26	10	2,000	C7A

TYPE 1648 16 x 48mm CAP. Ba15d (SBC)

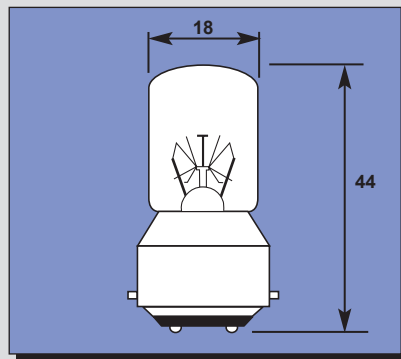


Order Code	Volts	mA	Watts	Average Life Hours	Fil Form
*48/6/3/B	6	500	3	2,000	C6
*48/6/5/B	6	833	5	2,000	C6
*48/6/7/B	6	1160	7	10,000	C6
*48/12/3/B	12	250	3	3,000	CC6
*48/12/5/B	12	416	5	4,000	C2F
*48/12/7/B	12	583	7	3,000	C2F
48/24/3/B	24	125	3	2,000	C3M
*48/24/4/B	24	170	4	2,500	C3M
48/24/5/B	24	208	5	2,500	C3M
*48/24/7/B	24	291	7	1,500	C3M
*48/30/10/B	24-30		7/10	2,000	C2F
*48/30/3/B	30	100	3	2,000	C3M
48/30/5/B	30	166	5	2,000	C3M
*48/30/7/B	30	233	7	2,000	C3M
*48/36/5/B	36	138	5	2,000	C3M
*48/42/3/B	42	71	3	3,000	C3M
*48/42/5/B	42	119	5	2,000	C3M
*48/42/7/B	42	166	7	2,000	C3M
*48/48/3/B	48	62	3	3,000	C3M
48/48/5/B	48	104	5	2,000	C3M
*48/48/7/B	48	146	7	2,000	C3M
48/48/10/B	48-60	166	7/10	2,000	C3A
*48/60/3/B	60	50	3	2,000	C3M
*48/60/4/B	60	66	4	2,500	C3M
48/60/5/B	60	83	5	2,000	C3M
*48/60/7/B	60	116	7	2,000	CC2F
*48/80/5/B	80	62	5	2,000	CC3M
*48/80/7/B	80	87	7	2,000	CC3M
48/130/5/B	110-130	38	3/5	2,000	C7S
48/130/7/B	110-130	53	5/7	2,000	C7S
48/130/10/B	110-130	76	7/10	2,000	CC5S
48/130/15/B	130	115	15	2,000	C5A
48/140/10/B	110-140	71	7/10	2,000	C5A
*48/150/5/B	150	33	5	2,000	CC5
*48/150/7/B	150	46	7	2,000	CC5
48/260/6/B	220-260	23	4/6	2,000	CC7S
48/260/7/B	220-260	26	5/7	2,000	CC7S
48/260/10/B	220-260	38	7/10	2,000	CC7S
48/260/15/B	260	58	15	2,000	C7A
48/380/10/B	380	26	10	2,000	C7A

SMALL INDICATOR & PILOT LAMPS

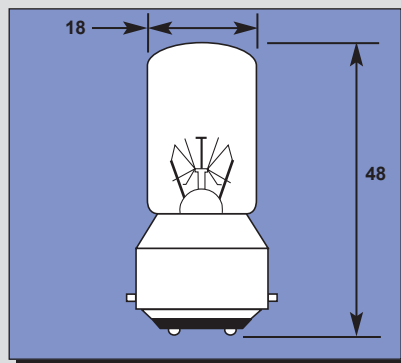
TYPE 1844 TUBULAR 18 x 44mm CAP. B22d (BC)

Order Code	Volts	mA	Watts	Average Life Hours	Fil Form
B2232	12	500	6	1,000	C2F
B2234	24	250	6	1,000	C2F
B2236	255	25	5	2,000	C7A



TYPE 1848 TUBULAR 18 x 48mm CAP. B22d (BC)

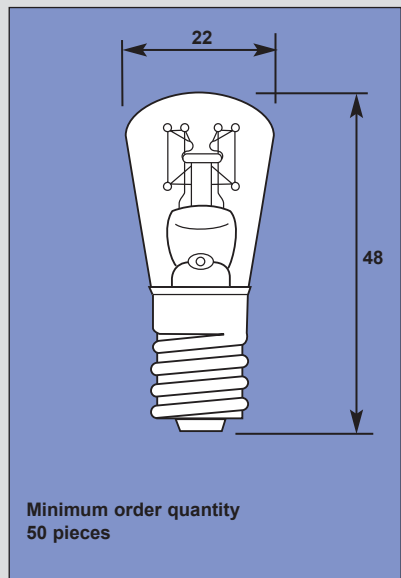
Order Code	Volts	mA	Watts	Average Life Hours	Fil Form
B2224	24	625	15	1,000	C2F
B2248	48	310	15	1,000	C3A
B2249	120	40	5	1,000	C5A
B2235	130	115	15	1,000	C5A
B2255	240	62	15	1,000	C7A
B2250	260	38	10	1,000	C7A
B2251	260	57	15	1,000	C7A



TYPE 2248 22 x 48mm CAP. E14 (SES)

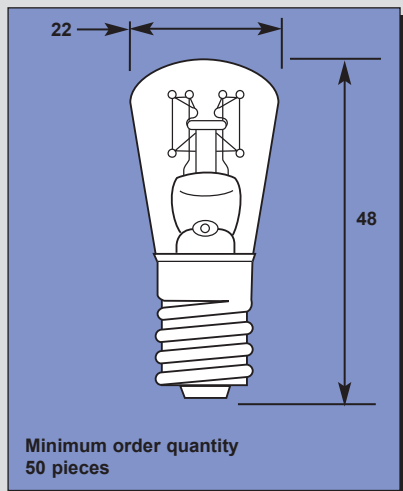
Order Code	Volts	mA	Watts	Average Life Hours	Fil Form
22/4/5/E	4	1250	5	1,000	C2R
22/6/5/E	6	830	5	1,500	C2R
22/6/10/E	6	1660	10	1,000	C2R
22/6/15/E	6	2500	15	500	C2R
22/12/5/E	12	420	5	1,500	C2V
22/12/7/E	12	583	7	2,000	C2R
22/12/10/E	12	830	10	1,000	C2V
22/12/15/E	12	1250	15	500	C2V
22/24/3/E	24	125	3	5,000	C2F
22/24/5/E	24	200	5	2,500	C2F
22/24/10/E	24	420	10	1,000	C2F
22/24/15/E	24	625	15	2,000	C2V
22/24/25/E	24	1.05A	25	2,000	C2V
22/30/15/E	24-30	500	15	1,000	C2F
22/30/5/E	30	166	5	2,500	C2F
22/30/10/E	30	330	10	1,000	C2F
22/36/5/E	36	140	5	5,000	C2F
22/48/5/E	42-48	104	5	5,000	CC2F
22/48/10/E	42-48	200	10	1,000	CC2F
22/48/15/E	42-48	310	15	800	CC2F

Continued on next page



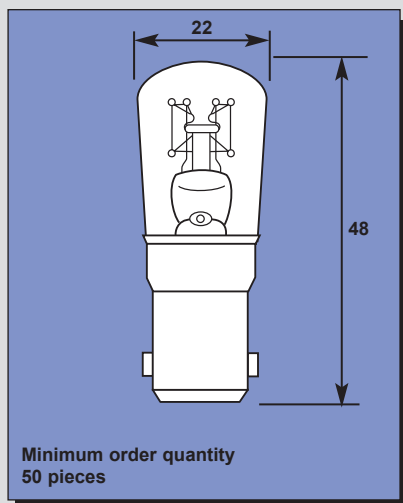
SMALL INDICATOR & PILOT LAMPS

TYPE 2248 22 x 48mm CAP. E14 (SES)



Order Code	Volts	mA	Watts	Average Life Hours	Fil Form
22/60/5/E	60	83	5	2,500	CC2F
22/60/7/E	60	116	7	2,000	C3A
22/60/10/E	60	166	10	1,000	CC2F
22/60/15/E	60	250	15	2,000	C3A
22/80/5/E	70-80	62	5	2,500	CC2F
22/80/10/E	70-80	125	10	1,000	CC2F
22/130/5/E	130	38	5	2,000	C5A
22/130/10/E	130	77	10	2,000	C5A
22/130/15/E	130	115	15	2,000	C5A
22/140/7/E	110-140	50	4/7	2,500	Multi
22/160/5/E	160	31	5	2,500	Multi
22/240/25/E	220-240	104	25	2,000	C7A
22/260/5/E	220-260	19	5	2,500	Multi
22/260/7/E	220-260	27	5/7	2,500	Multi
22/260/10/E	220-260	38	7/10	2,500	Multi
22/260/15/E	220-260	58	10/15	1,000	Multi

TYPE 2248 22 x 48mm CAP. Ba15d (SBC)

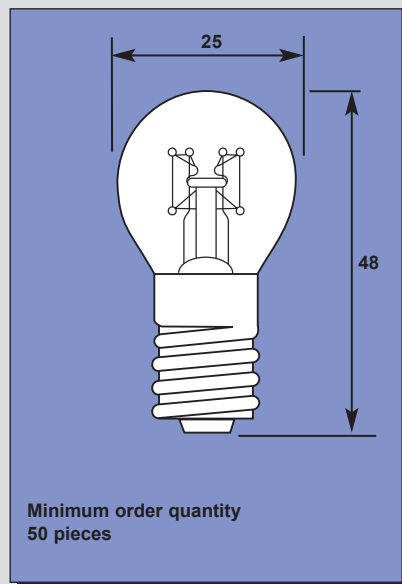


Order Code	Volts	mA	Watts	Average Life Hours	Fil Form
22/4/5/B	4	1250	5	1,000	C2R
22/6/5/B	6	830	5	1,500	C2R
22/6/10/B	6	1660	10	1,000	C2R
22/6/15/B	6	2500	15	500	C2R
22/12/5/B	12	420	5	1,500	C2V
22/12/7/B	12	583	7	2,000	C2R
22/12/10/B	12	830	10	1,000	C2V
22/12/15/B	12	1250	15	500	C2V
22/24/3/B	24	125	3	5,000	C2F
22/24/5/B	24	200	5	2,500	C2F
22/24/10/B	24	420	10	1,000	C2F
22/24/15/B	24	625	15	2,000	C2V
22/24/25/B	24	1.05A	25	2,000	C2V
22/30/15/B	24-30	500	15	1,000	C2F
22/30/5/B	30	166	5	2,500	C2F
22/30/10/B	30	330	10	1,000	C2F
22/36/5/B	36	140	5	5,000	C2F
22/42/5/B	42	119	5	2,000	C2V
22/48/5/B	42-48	104	5	5,000	CC2F
22/48/10/B	42-48	200	10	1,000	CC2F
22/48/15/B	42-48	310	15	800	CC2F
22/50/10/B	50	200	10	2,000	C3A
22/60/5/B	60	83	5	2,500	CC2F
22/60/7/B	60	116	7	2,000	C3A
22/60/10/B	60	166	10	1,000	CC2F
22/60/15/B	60	250	15	2,000	C3A
22/80/5/B	80	62	5	2,500	CC2F
22/80/10/B	80	125	10	1,000	CC2F
22/130/5/B	130	38	5	2,000	C3A
22/130/10/B	130	77	10	2,000	C3A
22/130/15/B	130	115	15	2,000	C3A
22/140/7/B	140	50	4/7	2,500	Multi
22/160/5/B	160	31	5	2,500	Multi
22/240/25/B	220-240	104	25	2,000	C7A
22/260/5/B	260	19	5	2,500	Multi
22/260/7/B	220-260	27	5/7	2,500	Multi
22/260/10/B	220-260	38	7/10	2,500	Multi
22/260/15/B	220-260	58	10/15	1,000	Multi

SMALL INDICATOR & PILOT LAMPS

TYPE K25 25 x 48mm CAP. E14 (SES)

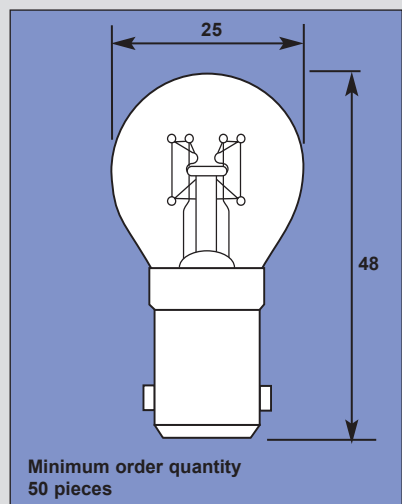
Order Code	Volts	mA	Watts	Average Life Hours	Fil Form
25/4/5/E	4	1250	5	1,000	C2R
25/6/5/E	6	830	5	1,500	C2R
25/6/10/E	6	1660	10	1,000	C2R
25/6/15/E	6	2500	15	500	C2R
25/12/5/E	12	420	5	1,500	C2V
25/12/10/E	12	830	10	1,000	C2V
25/12/15/E	12	1250	15	500	C2V
25/24/3/E	24	125	3	5,000	C2F
25/24/5/E	24	200	5	2,500	C2F
25/24/10/E	24	420	10	1,000	C2F
25/30/15/E	24-30	500	15	1,000	C2F
25/30/5/E	30	166	5	2,500	C2F
25/30/10/E	30	330	10	1,000	C2F
25/36/5/E	36	140	5	5,000	C2F
25/48/5/E	42-48	104	5	5,000	CC2F
25/48/10/E	42-48	200	10	1,000	CC2F
25/48/15/E	42-48	310	15	800	CC2F
25/60/5/E	60	83	5	2,500	CC2F
25/60/10/E	60	166	10	1,000	CC2F
25/80/5/E	70-80	62	5	2,500	CC2F
25/80/10/E	70-80	125	10	1,000	CC2F
25/125/15/E	125	100	15	2,000	Multi
25/140/7/E	110-140	50	4/7	2,500	Multi
25/160/5/E	160	31	5	2,500	Multi
25/260/5/E	260	19	5	2,500	Multi
25/260/7/E	220-260	27	5/7	2,500	Multi
25/260/10/E	220-260	38	7/10	2,500	Multi
25/260/15/E	220-260	58	10/15	1,000	Multi



TYPE K25 25 x 48mm CAP. Ba15d (SBC)

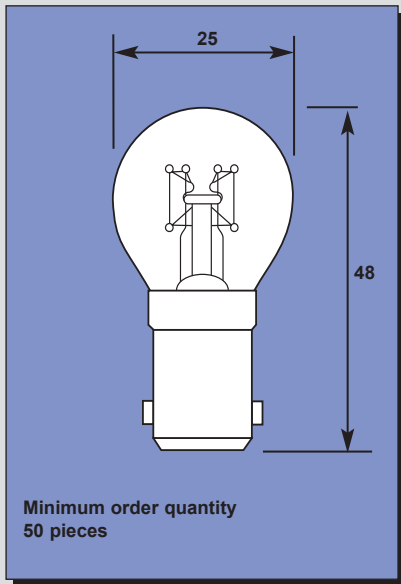
Order Code	Volts	mA	Watts	Average Life Hours	Fil Form
25/4/5/B	4	1250	5	1,000	C2R
25/6/5/B	6	830	5	1,500	C2R
25/6/10/B	6	1660	10	1,000	C2R
25/6/15/B	6	2500	15	500	C2R
25/12/5/B	12	420	5	1,500	C2V
25/12/10/B	12	830	10	1,000	C2V
25/12/15/B	12	1250	15	500	C2V
25/24/3/B	24	125	3	5,000	C2F
25/24/5/B	24	200	5	2,500	C2F
25/24/10/B	24	420	10	1,000	C2F
25/30/15/B	24-30	500	15	1,000	C2F
25/30/5/B	30	166	5	2,500	C2F
25/30/10/B	30	330	10	1,000	C2F
25/36/5/B	36	140	5	5,000	C2F

Continued on next page



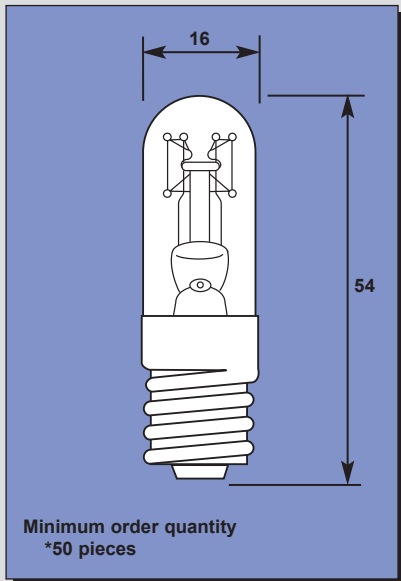
SMALL INDICATOR & PILOT LAMPS

TYPE K25 25 x 48mm CAP. Ba15d (SBC)



Order Code	Volts	mA	Watts	Average Life Hours	Fil Form
25/48/5/B	42-48	104	5	5,000	CC2F
25/48/10/B	42-48	200	10	1,000	CC2F
25/48/15/B	42-48	310	15	800	CC2F
25/60/5/B	60	83	5	2,500	CC2F
25/60/10/B	60	166	10	1,000	CC2F
25/80/5/B	70-80	62	5	2,500	CC2F
25/80/10/B	70-80	125	10	1,000	CC2F
25/85/10/B	85	130	10	2,000	Multi
25/95/10/B	95	140	10	2,000	Multi
25/125/15/B	125	100	15	2,000	Multi
25/140/7/B	110-140	50	4/7	2,500	Multi
25/160/5/B	160	31	5	2,500	Multi
25/260/5/B	260	19	5	2,500	Multi
25/260/7/B	220-260	27	5/7	2,500	Multi
25/260/10/B	220-260	38	7/10	2,500	Multi
25/260/15/B	220-260	58	10/15	1,000	Multi

TYPE 1654 TUBULAR 16 x 54mm CAP. E14 (SES)

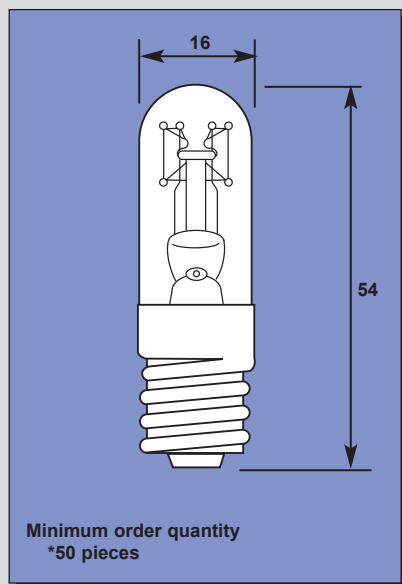


Order Code	Volts	mA	Watts	Average Life Hours	Fil Form
*54/4/3/E	4	750	3	2,000	C2F
*54/4/4/E	4	1000	4	2,000	C2F
*54/6/3/E	6	500	3	2,000	C6
*54/6/4/E	6	660	4	1,500	C6
54/6/5/E	6	830	5	2,000	C6
*54/6/7/E	6	1160	7	10,000	C6
*54/6/10/E	6	1660	10	1,000	C2V
*54/6/15/E	6	2500	15	500	C2V
*54/12/3/E	12	250	3	3,000	CC6
*54/12/4/E	12	330	4	1,500	C2F
54/12/5/E	12	420	5	4,000	C2F
*54/12/7/E	12	583	7	3,000	C2F
*54/12/10/E	12	830	10	1,000	C2F
*54/12/15/E	12	1250	15	500	C2F
*54/14/4/E	12-14	285	4	1,000	C6
*54/24/2/E	24	80	2	3,000	C2F
54/24/3/E	24	125	3	2,000	C3M
54/24/4/E	24	166	4	2,000	C3M
54/24/5/E	24	208	5	2,000	C2F
54/24/7/E	24	290	7	2,000	C3M
54/24/10/E	24	416	10	1,000	C3M
54/24/15/E	24	625	15	1,000	C2F
*54/30/10/E	24-30		7/10	2,000	C2F
*54/30/15/E	24-30		10/15	1,000	C2F
*54/28/4/E	28	140	4	5,000	C2F
*54/30/2/E	30	66	2	3,000	C3M
*54/30/3/E	30	100	3	2,500	C3M
*54/30/4/E	30	130	4	2,500	C2F
54/30/5/E	30	166	5	2,000	C2F
*54/30/7/E	30	230	7	2,000	C3M
Continued on next page					

SMALL INDICATOR & PILOT LAMPS

TYPE 1654 TUBULAR 16 x 54mm CAP. E14 (SES)

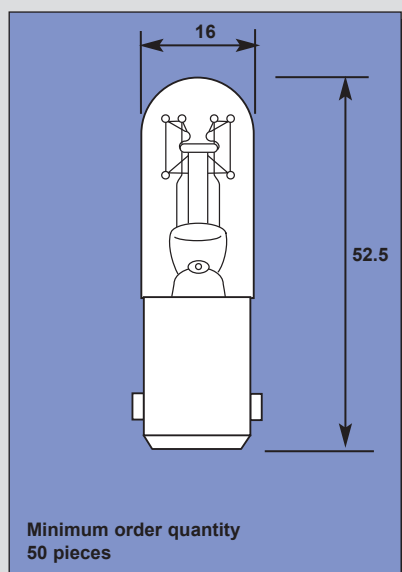
Order Code	Volts	mA	Watts	Average Life Hours	Fil Form
*54/36/3/E	36	83	3	2,500	C3M
*54/36/4/E	36	110	4	2,500	C2F
54/36/5/E	36	140	5	2,000	C3M
*54/36/7/E	36	194	7	2,000	C3M
*54/36/10/E	36	277	6/10	1,000	C2F
*54/42/3/E	42	71	3	3,000	C3M
*54/42/5/E	42	119	5	2,000	C3M
*54/42/7/E	42	160	7	2,500	C3M
*54/42/10/E	42	238	10	1,000	C3M
*54/48/3/E	48	63	3	3,000	C3M
54/48/5/E	48	104	5	2,000	C3M
*54/48/7/E	48	146	7	2,000	C3M
54/48/10/E	48	200	10	1,000	C3M
*54/48/15/E	48	310	15	1,000	CC5
*54/60/3/E	60	50	3	2,000	C3M
*54/60/4/E	60	66	4	2,500	CC2F
54/60/5/E	60	83	5	2,000	CC2F
*54/60/7/E	60	116	7	2,000	C3M
54/60/10/E	60	166	10	1,000	CC3M
*54/70/4/E	70	57	4	2,500	CC2F
*54/70/5/E	70	70	5	2,000	CC3M
*54/80/5/E	80	62	5	2,000	CC3M
*54/80/7/E	80	87	7	2,000	CC3M
54/130/5/E	110-130	38	3/5	2,000	C7S
54/130/7/E	110-130	53	5/7	2,000	C7S
54/130/10/E	110-130	77	7/10	2,000	C7S
54/150/5/E	150	33	5	2,000	C7S
54/150/7/E	150	46	7	3,000	C7S
54/260/6/E	220-260	23	4/6	2,000	CC7S
54/260/7/E	220-260	26	5/7	2,000	CC7S
54/260/10/E	220-260	38	7/10	2,000	CC7S
54/260/15/E	220-260	57	10/15	1,000	CC7S
54/380/10/E	380	26	10	1,000	CC7S



TYPE 1654 TUBULAR 16 x 54mm CAP. Ba15d (SBC)

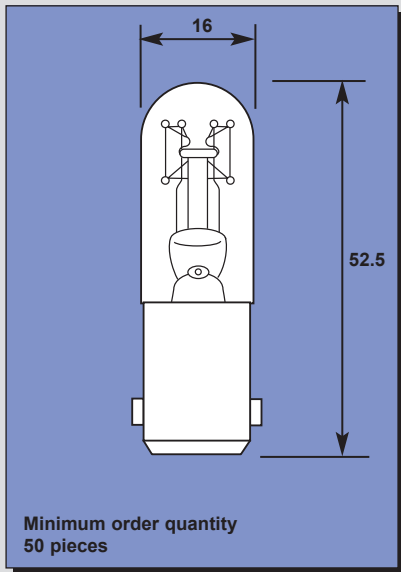
Order Code	Volts	mA	Watts	Average Life Hours	Fil Form
*54/4/3/B	4	750	3	2,000	C2F
*54/4/4/B	4	1000	4	2,000	C2F
*54/6/3/B	6	500	3	2,000	C6
*54/6/4/B	6	660	4	1,500	C6
54/6/5/B	6	830	5	2,000	C6
*54/6/7/B	6	1160	7	10,000	C6
54/6/10/B	6	1660	10	1,000	C2V
*54/6/15/B	6	2500	15	500	C2V
*54/12/3/B	12	250	3	3,000	CC6
*54/12/4/B	12	330	4	1,500	C2F
54/12/5/B	12	420	5	4,000	C2F
*54/12/7/B	12	583	7	3,000	C2F
*54/12/10/B	12	830	10	1,000	C2F
*54/12/15/B	12	1250	15	500	C2F
*54/14/4/B	12-14	285	4	1,000	C6

Continued on next page



SMALL INDICATOR & PILOT LAMPS

TYPE 1654 TUBULAR 16 x 54mm CAP. Ba15d (SBC)

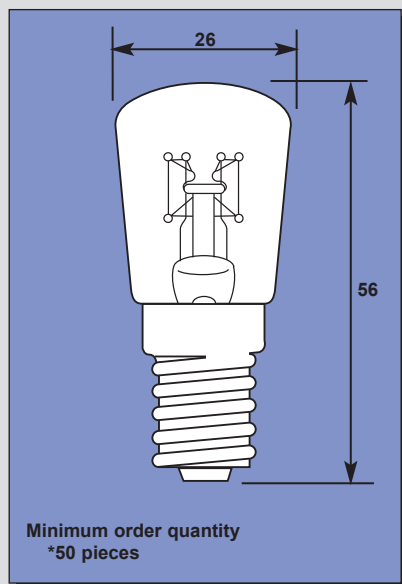


Order Code	Volts	mA	Watts	Average Life Hours	Fil Form
*54/24/2/B	24	80	2	3,000	C2F
54/24/3/B	24	125	3	2,000	C3M
54/24/4/B	24	166	4	2,000	C3M
54/24/5/B	24	208	5	2,000	C3M
54/24/7/B	24	290	7	2,000	C3M
54/24/10/B	24	416	10	1,000	C3M
54/24/15/B	24	625	15	1,000	C2F
*54/30/10/B	24-30		7/10	2,000	C2F
*54/30/15/B	24-30		10/15	1,000	C2F
*54/28/4/B	28	140	4	5,000	C2F
*54/30/2/B	30	66	2	3,000	C3M
*54/30/3/B	30	100	3	2,500	C3M
*54/30/4/B	30	13	4	2,500	C2F
54/30/5/B	30	166	5	2,000	C2F
54/30/7/B	30	230	7	2,000	C3M
*54/36/3/B	36	83	3	2,500	C3M
*54/36/4/B	36	110	4	2,500	C2F
54/36/5/B	36	140	5	2,000	C3M
*54/36/7/B	36	194	7	2,000	C3M
*54/36/10/B	36	277	6/10	1,000	C2F
*54/42/3/B	42	71	3	3,000	C3M
*54/42/5/B	42	119	5	2,000	C3M
*54/42/7/B	42	160	7	2,500	C3M
*54/42/10/B	42	238	10	1,000	C3M
*54/48/3/B	48	63	3	3,000	C3M
54/48/5/B	48	104	5	2,000	C3M
*54/48/7/B	48	146	7	2,000	C3M
54/48/10/B	48	200	10	1,000	C3M
*54/48/15/B	48	310	15	1,000	CC5
*54/60/3/B	60	50	3	2,000	C3M
*54/60/4/B	60	66	4	2,500	CC2F
54/60/5/B	60	83	5	2,000	CC2F
*54/60/7/B	60	116	7	2,000	C3M
54/60/10/B	60	166	10	1,000	CC3M
*54/70/4/B	70	57	4	2,500	CC2F
*54/70/5/B	70	70	5	2,000	CC3M
*54/80/5/B	80	62	5	2,000	CC3M
*54/80/7/B	80	87	7	2,000	CC3M
54/130/5/B	110-130	38	3/5	2,000	C7S
54/130/7/B	110-130	53	5/7	2,000	C7S
54/130/10/B	110-130	77	7/10	2,000	C7S
54/150/5/B	150	33	5	2,000	C7S
54/150/7/B	150	46	7	3,000	C7S
54/260/6/B	220-260	23	4/6	2,000	CC7S
54/260/7/B	220-260	26	5/7	2,000	CC7S
54/260/10/B	220-260	38	7/10	2,000	CC7S
54/260/15/B	220-260	57	10/15	1,000	CC7S
54/380/10/B	380	26	10	1,000	CC7S

SMALL INDICATOR & PILOT LAMPS

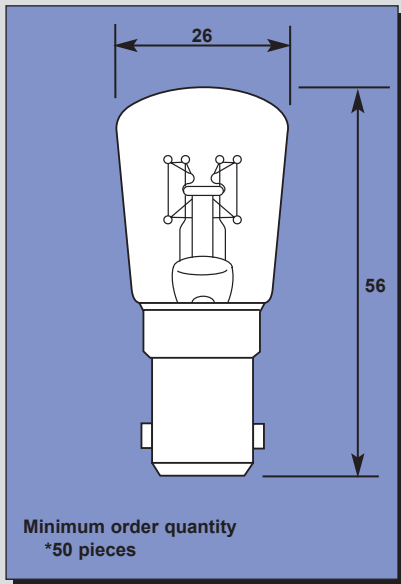
TYPE B26 26 x 56mm CAP. E14 (SES)

Order Code	Volts	mA	Watts	Average Life Hours	Fil Form
26/4/5/E	4	1250	5	1,000	C2F
26/6/5/E	6	830	5	1,000	C6
26/6/10/E	6	1660	10	1,000	C2V
26/6/15/E	6	2500	15	500	C2V
26/12/5/E	12	420	5	2,000	C2F
26/12/10/E	12	830	10	1,000	C2F
26/12/15/E	12	1250	15	800	C2F
26/12/25/E	12	2080	25	1,000	C2F
26/24/5/E	24	200	5	2,500	C3M
26/24/7/E	24	290	7	1,500	C3M
26/24/10/E	24	420	10	1,000	C3M
26/30/15/E	24-30	500	10/15	1,000	C2F
26/24/25/E	24	1040	25	1,000	C2F
26/30/5/E	30	16	65	2,500	C2F
26/30/7/E	30	230	7	1,500	C3M
26/30/10/E	30	330	10	1,000	C2F
26/30/15/E	30	500	15	1,000	C2F
26/42/5/E	42	120	5	2,500	C3M
26/42/7/E	42	166	7	1,500	C3M
26/42/10/E	42	240	10	1,000	C3M
26/42/25/E	42	600	25	1,000	C3M
26/48/5/E	42-48	104	5	2,500	C3M
26/48/10/E	42-48	200	10	1,000	C3M
26/48/15/E	42-48	310	15	500	CC5
26/48/25/E	48	520	25	1,000	CC5
26/60/5/E	60	83	5	2,500	CC2F
26/60/7/E	60	116	7	1,500	C3M
26/60/10/E	60	166	10	1,000	CC3M
26/60/15/E	60	250	15	500	CC3M
26/60/25/E	60	420	25	1,000	CC3M
26/140/7/E	110-140	50	4/7	2,500	C7S
26/140/10/E	110-140	70	7/10	1,500	C7S
26/130/15/E	125-130	115	15	1,000	C7S
26/130/25/E	125-130	192	25	1,000	C7S
26/260/7/E	220-260	27	5/7	2,500	CC7S
26/260/10/E	220-260	38	7/10	2,500	CC7S
26/235/15/E	220-235	58	10/15	1,000	CC7S
26/235/25/E	220-235	106	25	1,000	CC7S



SMALL INDICATOR & PILOT LAMPS

TYPE B26 26 x 56mm CAP. Ba15d (SBC)

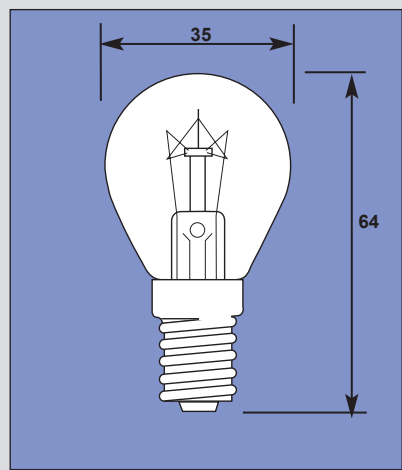


Order Code	Volts	mA	Watts	Average Life Hours	Fil Form
26/4/5/B	4	1250	5	1,000	C2F
26/6/5/B	6	830	5	1,000	C6
26/6/10/B	6	1660	10	1,000	C2V
26/6/15/B	6	2500	15	500	C2V
26/12/5/B	12	420	5	2,000	C2F
26/12/10/B	12	830	10	1,000	C2F
26/12/15/B	12	1250	15	800	C2F
26/12/25/B	12	2080	25	1,000	C2F
26/24/5/B	24	200	5	2,500	C3M
26/24/7/B	24	290	7	1,500	C3M
26/24/10/B	24	420	10	1,000	C3M
26/30/15/B	24-30	500	10/15	1,000	C2F
26/24/25/B	24	1040	25	1,000	C2F
26/30/5/B	30	166	5	2,500	C2F
26/30/7/B	30	230	7	1,500	C3M
26/30/10/B	30	330	10	1,000	C2F
26/30/15/B	30	500	15	1,000	C2F
26/42/5/B	42	120	5	2,500	C3M
26/42/7/B	42	166	7	1,500	C3M
26/42/10/B	42	240	10	1,000	C3M
26/42/25/B	42	600	25	1,000	C3M
26/48/5/B	42-48	104	5	2,500	C3M
26/48/10/B	42-48	200	10	1,000	C3M
26/48/15/B	42-48	310	15	500	CC5
26/48/25/B	48	520	25	1,000	CC5
26/50/25/B	48-50	520	25	1,000	
26/60/5/B	60	83	5	2,500	C3M
26/60/7/B	60	116	7	1,500	CC3M
26/60/10/B	60	166	10	1,000	CC3M
26/60/15/B	60	250	15	500	CC3M
26/60/25/B	60	420	25	1,000	CC3M
26/140/7/B	110-140	50	4/7	2,500	C7S
26/140/10/B	110-140	70	7/10	1,500	C7S
26/130/15/B	125-130	115	15	1,000	C7S
26/130/25/B	125-130	160	25	1,000	C7S
26/260/7/B	220-260	27	5/7	2,500	CC7S
26/260/10/B	220-260	38	7/10	2,500	CC7S
26/235/15/B	220-235	58	15	1,000	CC7S
26/235/25/B	220-235	106	25	1,000	CC7S

SMALL INDICATOR & PILOT LAMPS

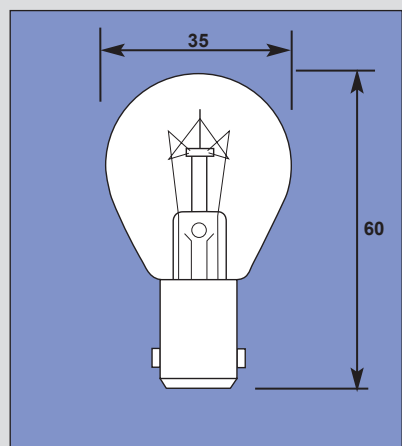
TYPE G35 35 x 64mm CAP. E14 (SES)

Order Code	Volts	mA	Watts	Average Life Hours	Fil Form
E5510	12	1250	15	1,000	C2V
E5512	12	2080	25	1,000	C2V
E5514	12	3320	40	1,000	C2F
E5516	24	1040	25	1,000	C2V
E5518	24	1680	40	1,000	C2F
E5520	48	520	25	1,000	C2F



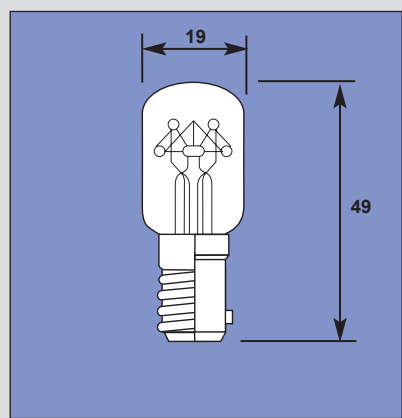
TYPE G35 35 x 64mm CAP. Ba15d (SBC)

Order Code	Volts	mA	Watts	Average Life Hours	Fil Form
B5510	12	1250	15	1,000	C2V
B5512	12	2080	25	1,000	C2V
B5514	12	3320	40	1,000	C2F
B5516	24	1040	25	1,000	C2V
B5518	24	1680	40	1,000	C2F
B5520	48	520	25	1,000	C2F



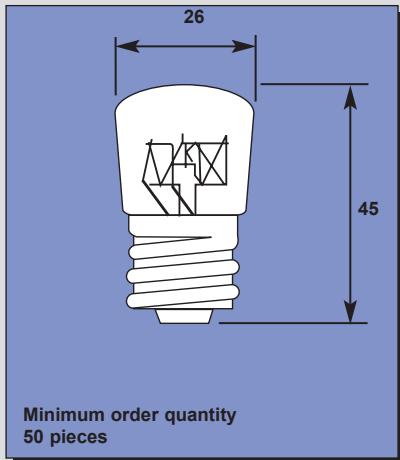
MINIATURE PILOT LAMP SBC 19 x 43mm, SES 19 x 49mm, CANDELABRA 19 x 48mm

Order Code	Volts	mA	Watts	Average Life Hours	Fil Form
MP/50/10/B	50		10	1,000	Multi
MP/130/10/B	100-130		6/10	1,000	Multi
MP/250/10/B	200-250		6/10	1,000	Multi
MP/130/10/E	100-130		6/10	1,000	Multi
MP/250/10/E	200-250		6/10	1,000	Multi
MP/130/10/C	100-130		6/10	1,000	Multi
MP/250/10/C	200-250		6/10	1,000	Multi



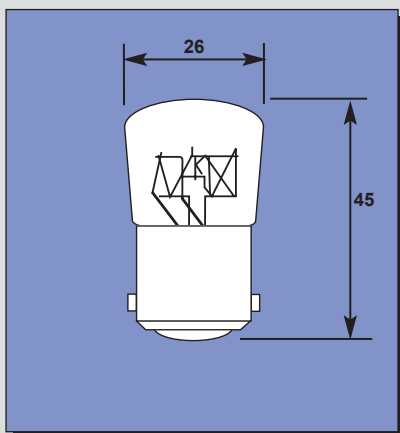
SMALL INDICATOR & PILOT LAMPS

TYPE B26/2 26 x 45mm CAP. E27 (ES)



Order Code	Volts	mA	Watts	Average Life Hours	Fill Form
45/24/25/E	24	1040	25	1,000	
45/30/15/E	24-30	500	15	2,500	
45/42/25/E	42	600	25	1,000	
45/48/15/E	42-48	310	10/15	1,500	
45/48/25/E	42-48	520	25	1,000	
45/60/15/E	48-60	250	10/15	500	
45/60/25/E	60	420	25	1,000	
45/80/15/E	60-80	190	10/15	500	
45/150/15/E	110-150	100	10/15	1,500	
45/260/10/E	220-260	38	7/10	5,000	
45/260/15/E	220-260	58	10/15	4,000	

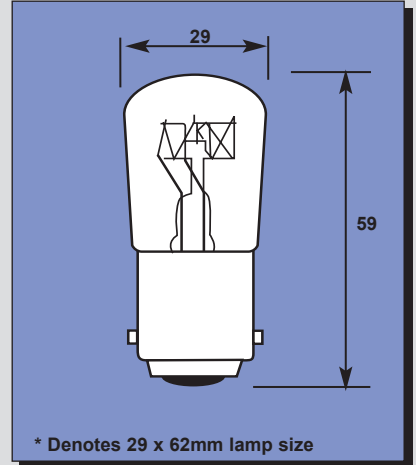
TYPE B26/1 26 x 45mm CAP. B22d (BC)



Order Code	Volts	mA	Watts	Average Life Hours	Fill Form
45/24/5/B	24	200	5	1,000	
45/24/10/B	24	420	10	1,000	
45/24/15/B	24	500	15	1,000	
45/24/25/B	24	1040	25	1,000	
45/30/5/B	30	166	5	1,000	
45/30/10/B	30	330	10	1,000	
45/30/15/B	24-30	500	10/15	2,500	
45/48/5/B	48	104	5	1,000	
45/48/10/B	48	200	10	1,000	
45/48/15/B	42-48	310	10/15	1,500	
45/60/5/B	60	83	5	1,000	
45/60/15/B	48-60	250	10/15	1,000	
45/80/15/B	60-80	190	10/15	1,500	
45/130/15/B	130	115	15	1,000	
45/140/7B	110-140	50	4/7	1,000	
45/140/10/B	140	70	7/10	1,000	
45/150/15/B	110/150	100	10/15	1,500	
45/225/15/B	225	66	15	1,000	
45/240/10/B	240	42	7/10	1,000	
45/240/15/B	240	62	15	1,000	
45/260/5/B	260	20	5	1,000	
45/260/10/B	220-260	38	7/10	2,000	
45/260/15/B	220-260	58	10/15	1,500	

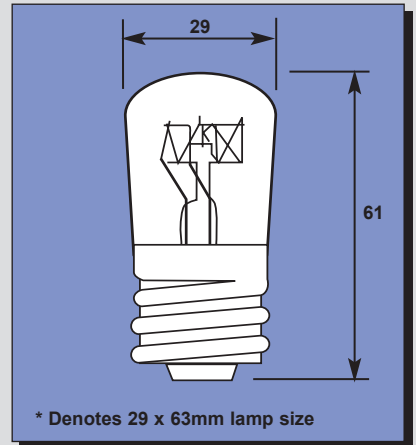
TYPE PYGMY SIGN 29 x 59mm CAP. B22d (BC)

Order Code	Volts	Finish	Watts	Average Life Hours	Fil Form
*59/12/15/B	12	Clear	15	1,000	Multi
*59/12/25/B	12	Clear	25	1,000	Multi
*59/24/25/B	24	Clear	25	1,000	Multi
59/25/15/B	25	Clear	15	1,000	Multi
59/50/15/B	50	Clear	15	1,000	Multi
*59/65/15/B	65	Clear	25	1,000	Multi
59/130/15/B	100-130	Clear	15	1,000	Multi
*59/130//25/B	100-130	Clear	25	1,000	Multi
59/250/15/B	200-250	Clear	15	1,000	Multi
59/250/25/B	200-250	Clear	25	1,000	Multi
59/250/15/A	250	Amber	15	1,000	Multi
59/250/15/B	250	Blue	15	1,000	Multi
59/250/15/G	250	Green	15	1,000	Multi
59/250/15/P	250	Pink	15	1,000	Multi
59/250/15/R	250	Red	15	1,000	Multi
59/250/15/Y	250	Yellow	15	1,000	Multi
59/300/2/15/B	260-300	Clear	15	1,000	Multi



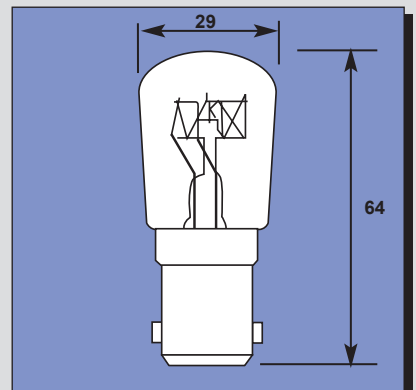
TYPE PYGMY SIGN 29 x 61mm CAP. E27 (ES)

Order Code	Volts	Finish	Watts	Average Life Hours	Fil Form
*61/12/15/E	12	Clear	15	1,000	Multi
*61/12/25/E	12	Clear	25	1,000	Multi
*61/24/25/E	24	Clear	25	1,000	Multi
61/25/15/E	25	Clear	15	1,000	Multi
61/50/15/E	50	Clear	15	1,000	Multi
*61/65/15/E	65	Clear	15	1,000	Multi
61/130/15/E	100-130	Clear	15	1,000	Multi
*61/130/25/E	100-130	Clear	25	1,000	Multi
61/250/15/E	200-250	Clear	15	1,000	Multi
61/250/25/E	200-250	Clear	25	1,000	Multi
61/250/15/A	250	Amber	15	1,000	Multi
61/250/15/B	250	Blue	15	1,000	Multi
61/250/15/G	250	Green	15	1,000	Multi
61/250/15/P	250	Pink	15	1,000	Multi
61/250/15/R	250	Red	15	1,000	Multi
61/250/15/Y	250	Yellow	15	1,000	Multi



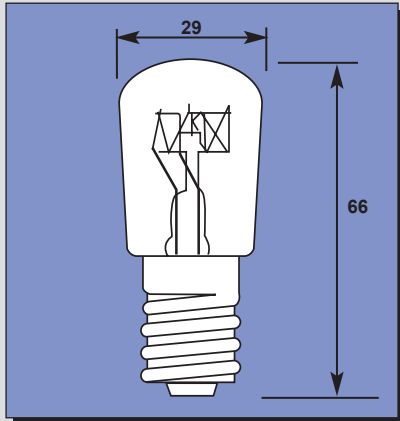
TYPE PYGMY SIGN 29 x 64mm CAP. Ba15d (SBC)

Order Code	Volts	Finish	Watts	Average Life Hours	Fil Form
64/25/15/B	25	Clear	15	1,000	Multi
64/50/15/B	50	Clear	15	1,000	Multi
64/130/15/B	100-130	Clear	15	1,000	Multi
64/250/15/B	200-250	Clear	15	1,000	Multi
64/250/25/B	200-250	Clear	25	1,000	Multi
64/250/15/A	250	Amber	15	1,000	Multi
64/250/15/B	250	Blue	15	1,000	Multi
64/250/15/G	250	Green	15	1,000	Multi
64/250/15/P	250	Pink	15	1,000	Multi
64/250/15/R	250	Red	15	1,000	Multi
64/250/15/Y	250	Yellow	15	1,000	Multi



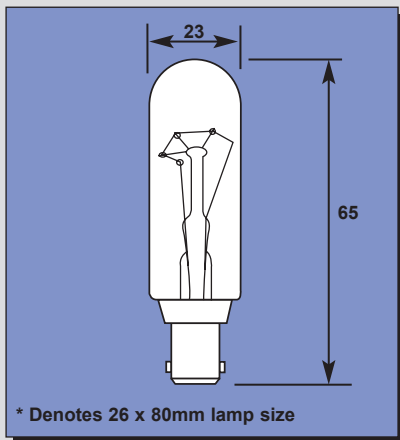
SMALL INDICATOR & PILOT LAMPS

TYPE PYGMY SIGN 29 x 66mm CAP. E14 (SES)



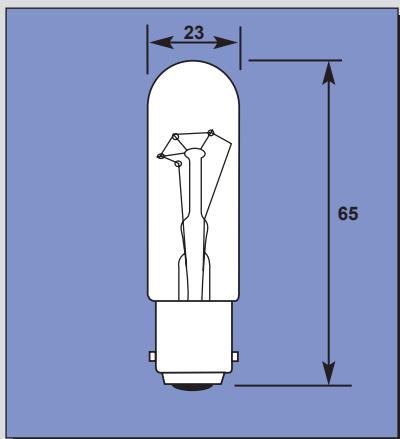
Order Code	Volts	Finish	Watts	Average Life Hours	Fil Form
66/25/15/E	25	Clear	15	1,000	Multi
66/50/15/E	50	Clear	15	1,000	Multi
66/130/15/E	100-130	Clear	15	1,000	Multi
66/250/15/E	200-250	Clear	15	1,000	Multi
66/250/25/E	200-250	Clear	25	1,000	Multi
66/250/15/A	250	Amber	15	1,000	Multi
66/250/15/B	250	Blue	15	1,000	Multi
66/250/15/G	250	Green	15	1,000	Multi
66/250/15/P	250	Pink	15	1,000	Multi
66/250/15/R	250	Red	15	1,000	Multi
66/250/15/Y	250	Yellow	15	1,000	Multi

TYPE 2365 TUBULAR 23 x 65mm CAP. Ba15d (SBC)



Order Code	Volts	Finish	Watts	Average Life Hours	Fil Form
65/130/15/B	130	Clear	15	1,000	Multi
65/130/25/B	130	Clear	25	1,000	Multi
65/230/15/B	230	Clear	15	1,000	Multi
65/230/25/B	230	Clear	25	1,000	Multi
65/230/20/B	220-230	Clear	20	1,000	Multi
65/230/20/BF	220-230	Frosted	20	1,000	Multi
65/230/25/BF	220-230	Frosted	25	1,000	Multi
*B6640	230-240	Clear	40	1,000	Multi

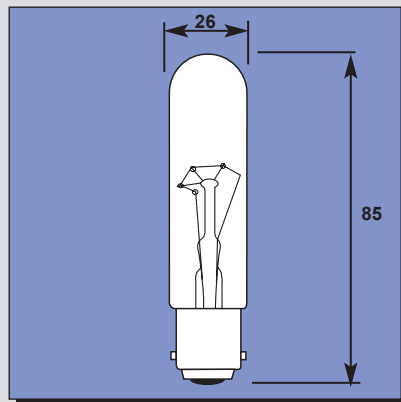
TYPE 2365 TUBULAR 23 x 65mm CAP. B22d (BC)



Order Code	Volts	Finish	Watts	Average Life Hours	Fil Form
60/6/25/B	6	Clear	25	1,000	C2R
60/12/25/B	12	Clear	25	1,000	C2R
60/24/6/B	24	Clear	6	1,000	C2V
60/24/15/B	24	Clear	15	1,000	C2V
60/24/25/B	24	Clear	25	1,000	C2V
60/30/6/B	30	Clear	6	1,000	C2V
60/30/15/B	30	Clear	15	1,000	C2V
60/48/15/B	48	Clear	15	1,000	C2F
60/60/10/B	60	Clear	10	1,000	C2F
60/60/15/B	60	Clear	15	1,000	C2F
60/130/15/B	130	Clear	15	1,000	Multi
60/130/25/B	130	Clear	25	1,000	Multi
60/240/15/B	240	Clear	15	1,000	Multi
60/240/25/B	240	Clear	25	1,000	Multi
60/260/25/B	260	Clear	25	1,000	Multi

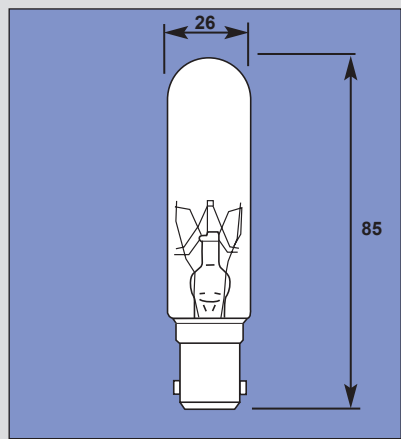
TYPE 2685 TUBULAR 26 x 85mm CAP. B22d (BC)

Order Code	Volts	Finish	Watts	Average Life Hours	Fil Form
80/24/25/B	24	Clear	25	1,000	C2V
80/24/40/B	24	Clear	40	1,000	
80/130/25/B	130	Clear	25	1,000	Multi
80/130/40/B	130	Clear	40	1,000	Multi
80/240/25/B	240	Clear	25	1,000	Multi
80/240/40/B	240	Clear	40	1,000	Multi



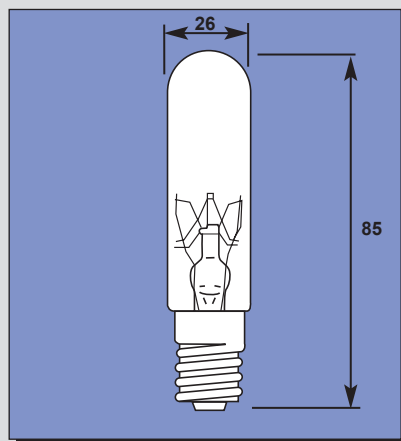
TYPE 2685 TUBULAR 26 x 85mm CAP. B15d (SBC)

Order Code	Volts	mA	Watts	Average Life Hours	Fil Form
85/12/25/B	12	2083	25	1,000	
85/24/15/B	24	625	15	2,000	
85/24/25/B	24	1041	25	1,000	
85/24/40/B	24	1666	40	1,000	
85/30/25/B	30	833	25	1,000	
85/48/15/B	42-48	312	15	2,000	
85/48/25/B	42-48	520	25	1,000	
85/65/15/B	60-65	230	15	2,000	
85/65/25/B	60-65	385	25	1,000	
85/80/15/B	80	187	15	2,000	
85/80/25/B	80	312	25	1,000	
85/130/15/B	110-130	115	15	2,000	Multi
85/130/25/B	110-130	192	25	1,000	Multi
85/140/40/B	110-130	285	40	1,000	Multi
85/260/15/B	220-260	57	15	2,000	Multi
85/260/25/B	220-260	96	25	1,000	Multi
85/260/40/B	220-260	154	40	1,000	Multi



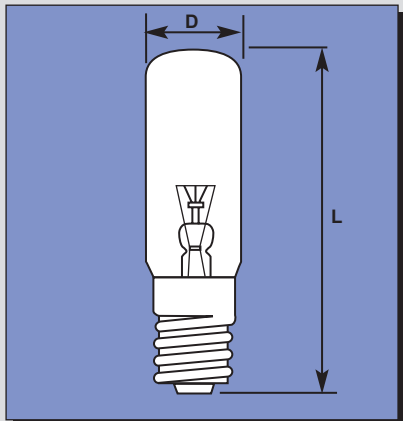
TYPE 2685 TUBULAR 26 x 85mm CAP. E14 (SES)

Order Code	Volts	mA	Watts	Average Life Hours	Fil Form
85/12/25/E	12	2083	25	1,000	
85/24/15/E	24	625	15	2,000	
85/24/25/E	24	1041	25	1,000	
85/24/40/E	24	1666	40	1,000	
85/30/25/E	30	833	25	1,000	
85/48/15/E	42-48	312	15	2,000	
85/48/25/E	42-48	520	25	1,000	
85/65/15/E	60-65	230	15	2,000	
85/65/25/E	60-65	385	25	1,000	
85/80/15/E	80	187	15	2,000	
85/80/25/E	80	312	25	1,000	
85/130/15/E	110-130	115	15	2,000	Multi
85/130/25/E	110-130	192	25	1,000	Multi
85/130/40/E	110-130	285	40	1,000	Multi
85/260/15/E	220-260	57	15	2,000	Multi
85/260/25/E	220-260	96	25	1,000	Multi
85/260/40/E	220-260	154	40	1,000	Multi



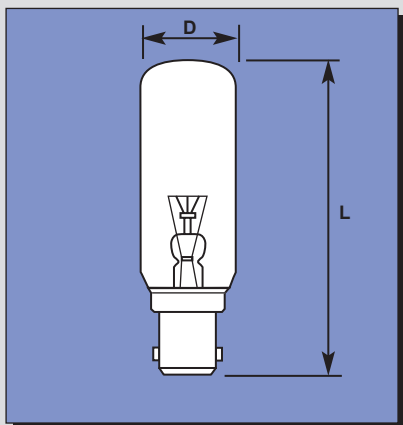
SMALL INDICATOR & PILOT LAMPS

PICTURE LAMPS TUBULAR 17 x 55mm CLEAR CAP. E14 (SES)



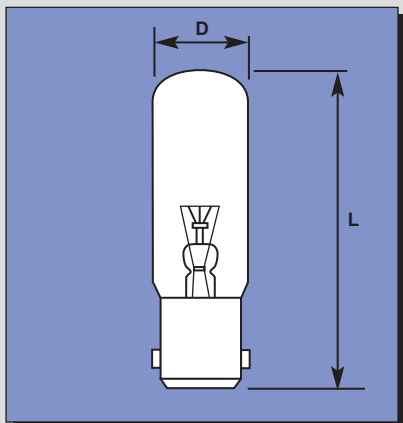
Order Code	Volts	Watts	Dia	Length	Average Life Hours	Fil Form
TB1769	230	15	17	55	1,000	Multi
TB1770	230	25	25	84	1,000	Multi
TB1771	230	40	25	84	1,000	Multi
TB1772	230	60	29	94	1,000	Multi

PICTURE LAMPS TUBULAR 25 x 80mm CLEAR CAP. Ba15d (SBC)



Order Code	Volts	Watts	Dia	Length	Average Life Hours	Fil Form
TB1960	230	15	25	80	1,000	Multi
TB1961	230	40	25	90	1,000	Multi

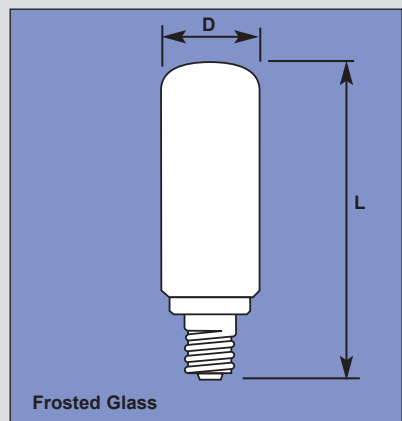
PICTURE LAMPS TUBULAR 25 x 84mm CLEAR CAP. B22d (BC)



Order Code	Volts	Watts	Dia	Length	Average Life Hours	Fil Form
TB1970	230	25	25	84	1,000	Multi
TB1971	230	40	25	84	1,000	Multi
TB1972	230	60	29	94	1,000	Multi

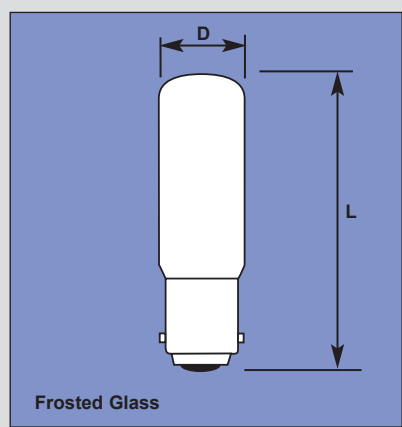
PICTURE LAMPS TUBULAR 25 x 84mm KRYPTON CAP. E14 (SES)

Order Code	Volts	Watts	Dia	Length	Average Life Hours	Fil Form
TB1370	230	20	25	84	1,000	Multi
TB1371	230	40	25	84	1,000	Multi
TB1372	230	60	29	94	1,000	Multi



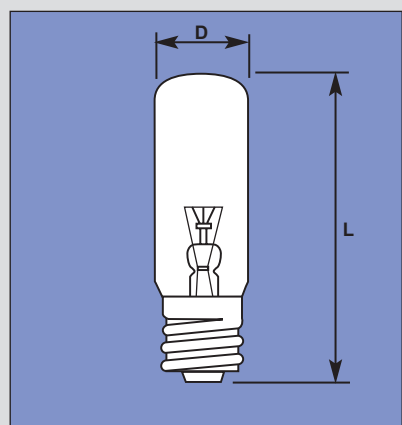
PICTURE LAMPS TUBULAR 25 x 84mm KRYPTON CAP. B22d (BC)

Order Code	Volts	Watts	Dia	Length	Average Life Hours	Fil Form
TB1570	230	25	25	84	1,000	Multi
TB1571	230	40	25	84	1,000	Multi
TB1572	230	60	29	94	1,000	Multi



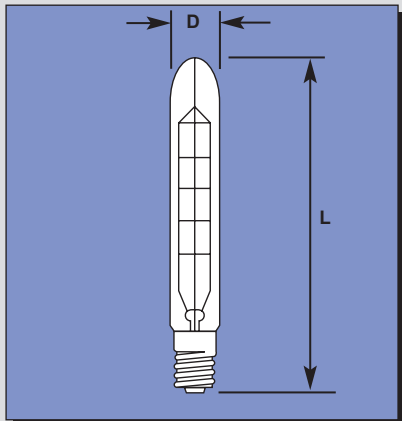
PICTURE LAMPS TUBULAR 29 x 90mm CLEAR CAP. E27 (ES)

Order Code	Volts	Watts	Dia	Length	Average Life Hours	Fil Form
TB1271	230	40	29	90	1,000	Multi
TB1272	230	60	29	90	1,000	Multi



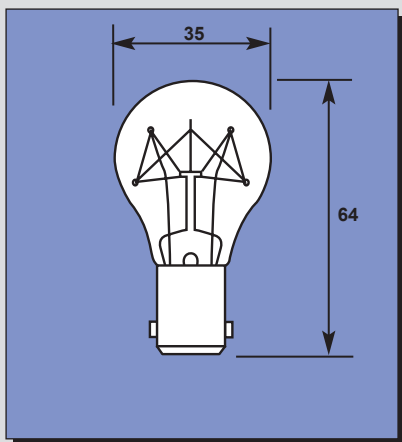
SMALL INDICATOR & PILOT LAMPS

TYPE PICTURE LAMPS TUBULAR 20 x 100mm CLEAR CAP. E14 (SES)



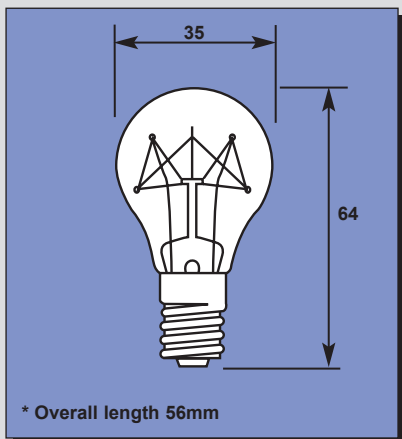
Order Code	Volts	Watts	Dia	Length	Average Life Hours	Fil Form
TB2070	230	25	20	100	1,000	Special
TB2170	230	25	20	115	1,000	Special
TB2072	230	40	20	125	1,000	Special
TB2172	230	40	20	140	1,000	Special

TYPE K3564 PEAR SHAPE 35 x 64mm CAP. Ba15d (SBC)



Order Code	Volts	Finish	Watts	Average Life Hours	Fil Form
3564/12/15/B	12	Clear	15	1,000	C2V
3564/12/25/B	12	Clear	25	1,000	C2V
3564/12/40/B	12	Clear	40	1,000	Multi
3564/24/25/B	24	Clear	25	1,000	C2V
3564/24/40/B	24	Clear	40	1,000	C2V
3564/48/25/B	48	Clear	40	1,000	Multi

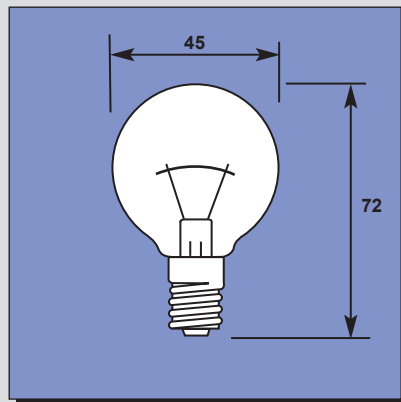
TYPE K3564 PEAR SHAPE 35 x 64mm CAP. E14 (SES)



Order Code	Volts	Finish	Watts	Average Life Hours	Fil Form
*3556/12/5/E	12	Clear	5	2,000	C2V
3564/12/15/E	12	Clear	15	1,000	C2V
3564/12/25/E	12	Clear	25	1,000	C2V
3564/12/40/E	12	Clear	40	1,000	Multi
*3556/24/5/E	24	Clear	5	2,000	C2F
3564/24/25/E	24	Clear	25	1,000	C2V
3564/24/40/E	24	Clear	40	1,000	Multi
3564/48/25/E	48	Clear	25	1,000	C2F
*3556/60/5/E	60	Clear	5	2,000	CC2F
*3556/130/5/E	130	Clear	5	2,000	Multi
*3556/220/5/E	220	Clear	5	2,000	Multi

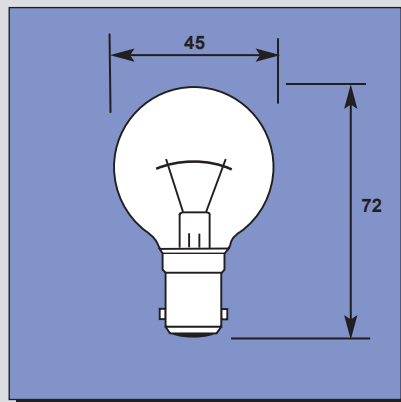
TYPE 4575 ROUND 45 x 72mm CLEAR CAP. E14 (SES)

Order Code	Volts	Finish	Watts	Average Life Hours	Fil Form
SR3010	6	Clear	15	1,000	C2V
C5/12/10/14	12	Clear	10	1,500	C2V
SR3015	12	Clear	15	1,000	C2V
C5/12/25/14	12	Clear	25	1,500	C2V
C5/24/10/14	24	Clear	10	1,500	C2F
C5/24/15/14	24	Clear	15	1,500	C2V
SR3020	24	Clear	25	1,000	C2V
SR3022	24	Clear	40	1,000	C2F
C5/60/15/14	60	Clear	15	1,500	C2F
C5/60/25/14	60	Clear	25	1,500	C2F
SR3024	130	Clear	15	1,000	Multi
SR3026	130	Clear	25	1,000	Multi
SR3051	130	Clear	40	1,000	Multi
DC7448	230	Clear	15	1,000	Multi
SR3070	230	Clear	25	1,000	Multi
SR3071	230	Clear	40	1,000	Multi
SR3072	230	Clear	60	1,000	Multi



TYPE 4575 ROUND 45 x 72mm CLEAR CAP. Ba15d (SBC)

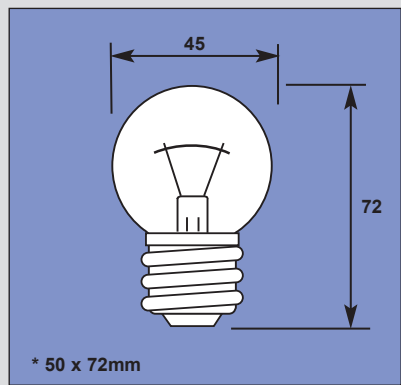
Order Code	Volts	Finish	Watts	Average Life Hours	Fil Form
C5/12/10/B	12	Clear	10	1,500	C2V
C5/12/15/B	12	Clear	15	1,500	C2V
C5/12/25/B	12	Clear	25	1,500	C2V
C5/24/10/B	24	Clear	10	1,500	C2F
C5/24/15/B	24	Clear	15	1,000	C2F
C5/24/25/B	24	Clear	25	1,500	C2F
C5/48/15/B	42-48	Clear	10/15	2,000	C2F
C5/60/15/B	60	Clear	15	1,500	C2F
C5/60/25/B	60	Clear	25	1,500	C2F
C5/130/15/B	130	Clear	15	1,000	Multi
C5/240/25/B	240	Clear	25	1,000	Multi
C5/240/40/B	240	Clear	40	1,000	Multi
C5/240/60/B	240	Clear	60	1,000	Multi
C5/260/15/B	260	Clear	15	5,000	Multi



TYPE 4575 ROUND 45 x 72mm CLEAR CAP. E27 (ES)

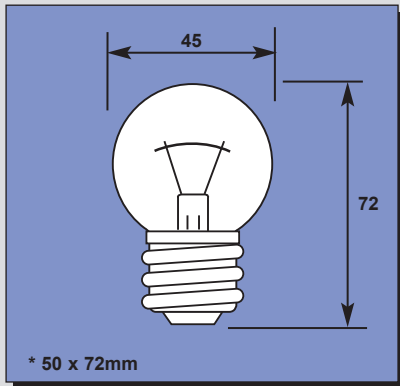
Order Code	Volts	Finish	Watts	Average Life Hours	Fil Form
C5/12/10/27	12	Clear	10	1,500	C2V
SR3209	12	Clear	15	1,000	C2V
SR3210	12	Clear	25	1,000	C2V
*SR3211	12	Clear	40	1,000	C2V
C5/24/10/27	24	Clear	10	1,500	C2F
SR3213	24	Clear	15	1,000	C2F
SR3220	24	Clear	25	1,000	C2F
*SR3221	24	Clear	40	1,000	C2F
*SR3222	24	Clear	60	1,000	C2F
SR1223	27	Clear	15	1,000	C2F
SR1227	27	Clear	40	1,000	C2F
SR1229	27	Clear	60	1,000	C2F

Continued on next page



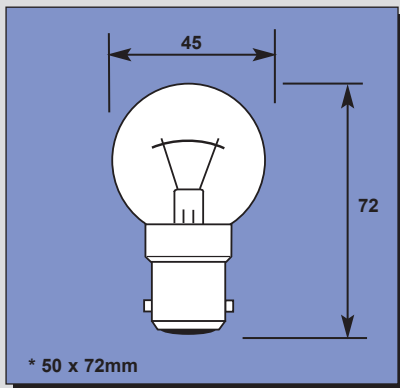
SMALL INDICATOR & PILOT LAMPS

TYPE 4575 ROUND 45 x 72mm CLEAR CAP. E27 (ES)



Order Code	Volts	Finish	Watts	Average Life Hours	Fil Form
SR3225	48	Clear	15	1,000	C2F
*SR3230	48	Clear	25	1,000	C2F
*SR3248	48	Clear	40	1,000	C2F
SR3112	60	Clear	15	1,000	C2F
SR3260	60	Clear	25	1,000	C2F
SR3249	125-130	Clear	15	1,000	Multi
SR3250	125-130	Clear	25	1,000	Multi
SR3251	125-130	Clear	40	1,000	Multi
SR3252	125-130	Clear	60	1,000	Multi
SR3269	230	Clear	15	1,000	Multi
SR3270	230	Clear	25	1,000	Multi
SR3271	230	Clear	40	1,000	Multi
SR3272	230	Clear	60	1,000	Multi

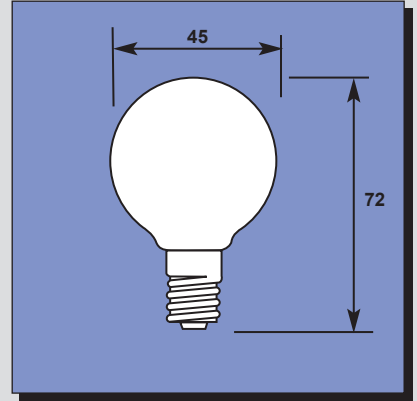
TYPE 4575 ROUND 45 x 72mm CLEAR CAP. B22d (BC)



Order Code	Volts	Finish	Watts	Average Life Hours	Fil Form
B7419	6	Clear	15	1,000	C2V
B7420	6	Clear	25	1,000	C2V
C5/12/10/22	12	Clear	10	1,500	C2V
B7424	12	Clear	25	1,000	C2V
*B7426	12	Clear	40	1,000	C2V
B7427	24	Clear	5	1,000	C2F
C5/24/10/22	24	Clear	10	1,500	C2F
B7428	24	Clear	15	1,000	C2F
B7430	24	Clear	25	1,000	C2F
*B7432	24	Clear	40	1,000	C2F
B7434	24	Clear	60	1,000	C2F
B1080	27	Clear	15	1,000	C2F
B1084	27	Clear	40	1,000	C2F
B1086	27	Clear	60	1,000	C2F
B7435	32	Clear	25	1,000	C2F
B7455	32	Clear	40	1,000	C2F
B7456	48	Clear	15	1,000	C2F
*B7436	48	Clear	25	1,000	C2F
*B7438	48	Clear	40	1,000	C2F
B7439	60	Clear	15	1,000	C2F
B7457	60	Clear	25	1,000	C2F
B7458	60	Clear	40	1,000	C2F
B7459	125-130	Clear	15	1,000	Multi
B7442	125-130	Clear	25	1,000	Multi
B7444	125-130	Clear	40	1,000	Multi
B7446	125-130	Clear	60	1,000	Multi
B7448	230-240	Clear	15	1,000	Multi
B7450	230-240	Clear	25	1,000	Multi
B7452	230-240	Clear	40	1,000	Multi
B7454	230-240	Clear	60	1,000	Multi

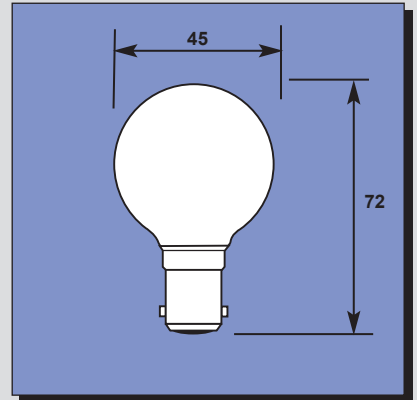
TYPE 4575 ROUND 45 x 72mm INSIDE FROSTED CAP. E14 (SES)

Order Code	Volts	Finish	Watts	Average Life Hours	Fil Form
F5/12/10/14	12	Frosted	10	1,500	C2V
F5/12/15/14	12	Frosted	15	1,500	C2V
SR3549	12	Frosted	20	1,000	C2V
SR3550	12	Frosted	25	1,000	C2V
F5/24/10/14	24	Frosted	10	1,500	C2F
F5/24/15/14	24	Frosted	15	1,500	C2F
F5/24/25/14	24	Frosted	25	1,500	C2F
F5/60/15/14	60	Frosted	15	1,500	C2F
F5/60/25/14	60	Frosted	25	1,500	C2F
SR3351	125-130	Frosted	40	1,000	Multi
SR3369	230-240	Frosted	15	1,000	Multi
SR3370	230-240	Frosted	25	1,000	Multi
SR3371	230-240	Frosted	40	1,000	Multi
SR3372	230-240	Frosted	60	1,000	Multi



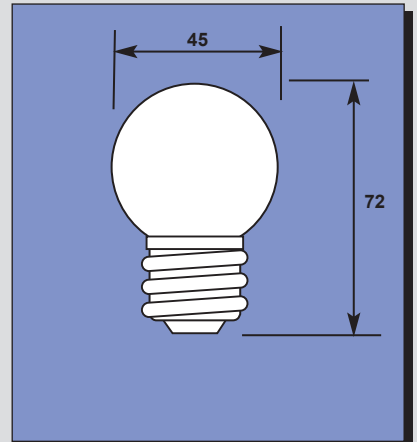
TYPE 4575 ROUND 45 x 72mm INSIDE FROSTED CAP. Ba15d (SBC)

Order Code	Volts	Finish	Watts	Average Life Hours	Fil Form
F5/12/10/15	12	Frosted	10	1,500	C2V
F5/12/15/15	12	Frosted	15	1,500	C2V
F5/12/25/15	12	Frosted	25	1,500	C2V
F5/24/10/15	24	Frosted	10	1,500	C2F
F5/24/15/15	24	Frosted	15	1,500	C2F
F5/24/25/15	24	Frosted	25	1,500	C2F
F5/60/15/15	60	Frosted	15	1,500	C2F
F5/60/25/15	60	Frosted	25	1,500	C2F
F5/235/15/15	235	Frosted	15	2,500	Multi
F5/240/25/B	240	Frosted	25	1,000	Multi
F5/240/40/B	240	Frosted	40	1,000	Multi
F5/240/60/B	240	Frosted	60	1,000	Multi



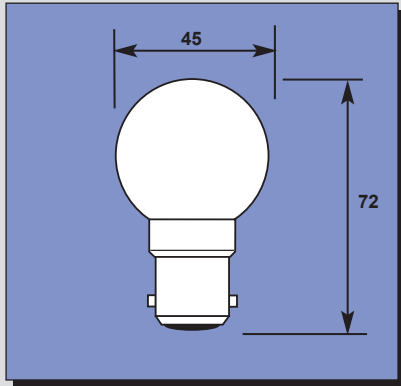
TYPE 4575 ROUND 45 x 72mm INSIDE FROSTED CAP. E27 (ES)

Order Code	Volts	Finish	Watts	Average Life Hours	Fil Form
F5/12/10/27	12	Frosted	10	1,500	C2V
F5/12/15/27	12	Frosted	15	1,500	C2V
F5/12/25/27	12	Frosted	25	1,500	C2V
F5/24/10/27	24	Frosted	10	1,500	C2F
F5/24/15/27	24	Frosted	15	1,500	C2F
F5/24/25/27	24	Frosted	25	1,500	C2F
SR3522	24	Frosted	40	1,000	C2F
F5/60/15/27	60	Frosted	15	1,500	C2F
F5/60/25/27	60	Frosted	25	1,500	C2F
SR3551	125-130	Frosted	40	1,000	Multi
SR3569	230-240	Frosted	15	1,000	Multi
SR3570	230-240	Frosted	25	1,000	Multi
SR3571	230-240	Frosted	40	1,000	Multi
SR3572	230-240	Frosted	60	1,000	Multi



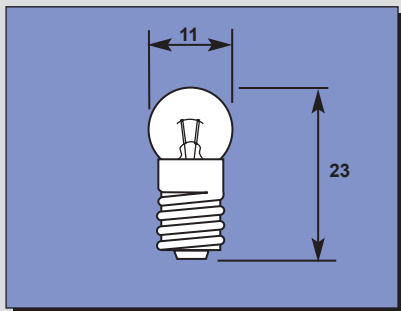
SMALL INDICATOR & PILOT LAMPS

TYPE 4575 ROUND 45 x 72mm INSIDE FROSTED CAP. B22d (BC)



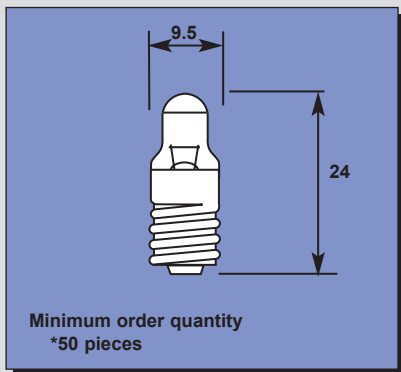
Order Code	Volts	Finish	Watts	Average Life Hours	Fil Form
F5/12/10/22	12	Frosted	10	1,500	C2V
F5/12/15/22	12	Frosted	15	1,500	C2V
F5/12/25/22	12	Frosted	25	1,500	C2V
F5/24/10/22	24	Frosted	10	1,500	C2F
F5/24/15/22	24	Frosted	15	1,500	C2F
F5/24/25/22	24	Frosted	25	1,500	C2F
SR3422	24	Frosted	40	1,000	C2F
F5/60/15/22	60	Frosted	15	1,500	C2F
F5/60/25/22	60	Frosted	25	1,500	C2F
SR3449	125-130	Frosted	15	1,000	Multi
SR3450	125-130	Frosted	25	1,000	Multi
SR3451	125-130	Frosted	40	1,000	Multi
SR3452	125-130	Frosted	60	1,000	Multi
SR3469	230-240	Frosted	15	1,000	Multi
SR3470	230-240	Frosted	25	1,000	Multi
SR3471	230-240	Frosted	40	1,000	Multi
SR3472	230-240	Frosted	60	1,000	Multi

TORCH & FLASH LIGHT 11 x 23mm CAP. E10 (MES)



Order Code	Volts	mA	Watts	Average Life Hours	Fil Form
G638	1.25	250	.31	10	S2
474	2.5	100	.25	15	C2R
G627	2.5	200	.5	10	C2R
G972	2.5	300	.75	100	C2R
477	3.5	200	.7	15	C2R
G647	3.5	300	1.05	1,000	C2R
478	3.8	70	.26	15	C2R
479	3.8	300	1.14	15	C2R

LENS END LAMP 9.5 x 24mm CAP. E10 (MES)

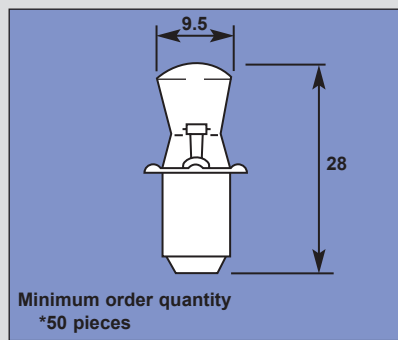


Order Code	Volts	mA	Watts	Average Life Hours	Fil Form
NF/1.2/22/E	1.2	220	.21	5	S2
NF/2.2/18/E	2.2	180	.39	5	C2R
NF/2.2/25/E	2.2	250	.55	5	C2R
*NF/2.2/3/E	2.2	300	.66	7.5	C2R
NF/2.2/4/E	2.2	400	.88	15	C2R
NF/2.25/25	2.25	250	.625	50	C2R
NF/2.3/27/E	2.3	270	.62	10	C2R
NF/2.4/3/E	2.4	300	.72	15	C2R
NF/2.5/2/E	2.5	200	.5	10	C2R
NF/2.5/3/E	2.5	300	.75	10	C2R
*NF/3.3/3/E	3.3	300	.99	10	C2R
*NF/3.5/2/E	3.5	200	.7	10	C2R
NF/3.7/3/E	3.7	300	1.11	10	C2R
NF/3.8/3/E	3.8	300	1.14	50	C2R

SMALL INDICATOR & PILOT LAMPS

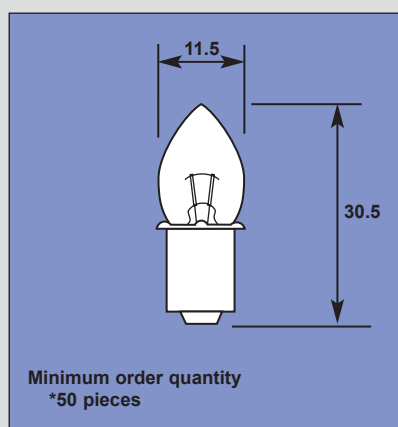
LENS END LAMP 9.5 x 28mm CAP. P13.5s

Order Code	Volts	mA	Watts	Average Life Hours	Fil Form
*NF/1.2/2/P	1.2	220	.21	5	S2
*NF/2.2/18/P	2.2	180	.39	5	C2R
*NF/2.2/25/P	2.2	250	.55	5	C2R
NF/2.2/3/P	2.2	300	.66	7.5	C2R
NF/2.4/3/P	2.4	300	.72	10	C2R
NF/2.4/4/P	2.4	400	.96	10	C2R
*NF/2.5/2/P	2.5	200	.5	10	C2R
NF/2.5/3/P	2.5	300	.75	10	C2R
*NF/3.3/3/P	3.3	300	.99	10	C2R
*NF/3.5/2/P	3.5	200	.7	10	C2R
NF/3.7/3/P	3.7	300	1.11	10	C2R



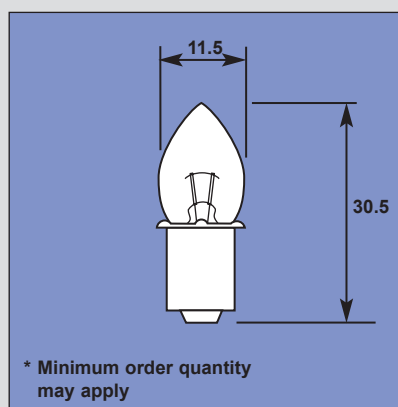
PRE FOCUS STANDARD 11.5 x 30.5mm CAP. P13.5s

Order Code	Volts	mA	Watts	Average Life Hours	Fil Form
PF/1.9/6/P	1.9	600	1.15	10	C2R
PF/2.3/27/P	2.33	270	0.63	10	C2R
PF/2.35/35/P	2.35	350	0.82	35	C2R
PF/2.4/5/P	2.4	500	1.2	5	C2R
PF/2.5/2/P	2.5	200	0.5	10	C2R
PF/2.5/3/P	2.5	300	0.75	10	C2R
*PF/2.7/15/P	2.7	150	0.40	10	C2R
PF/3/07/P	3	70	0.21	50	C2R
PF/3.5/2/P	3.5	200	0.7	15	C2R
PF/3.6/5/P	3.6	500	1.8	10	C2R
PF/3.7/3/P	3.7	300	1.1	15	C2R
PF/3.8/3/P	3.8	300	1.14	30	C2R
PF/4.8/5/P	4.8	500	1.44	15	C2R
PF/4.9/3/P	4.9	300	1.4	15	C2R
PF/6/5/P	6	500	3	15	C2R
PF/7.2/5/P	7.2	500	3.6	5	C2R
PF/8/5/P	8.63	500	4.32	15	C2R
*PF/9/5/P	9	500	4.5	5	C2R
PF/12/25/P	12.5	250	3.13	50	C2R
PF/12/5/P	12	500	6	5	C2R



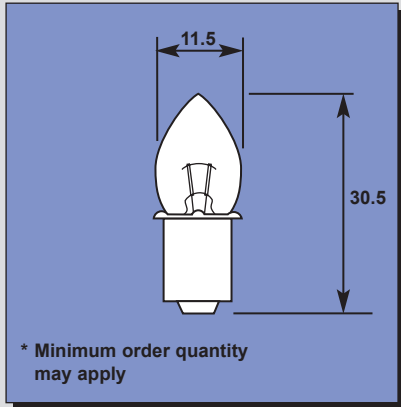
PRE FOCUS XENON 11.5 x 30.5mm CAP. P13.5s

Order Code	Volts	mA	Watts	Average Life Hours	Fil Form
XPF/2.4/83/P	2.4	830	2.0	15	C2R
XPF/2.4/125/P	2.4	1250	2.0	20	C2R
XPF/3.6/9/P	3.6	900	3.2	20	C2R
XPF/4/8/P	4	800	3.2	20	C2R
XPF/4.8/5/P	4.8	530	2.5	20	C2R
XPF/4.8/7/P	4.8	700	3.4	20	C2R
XPF/7/5/P	7	500	3.5	20	C2R
XPF/7.2/7/P	7.2	700	5.0	20	C2R
*XPF/9.8/5/P	9.8	520	5.1	20	C2R
XPF/12/33/P	12	330	4	20	C2R



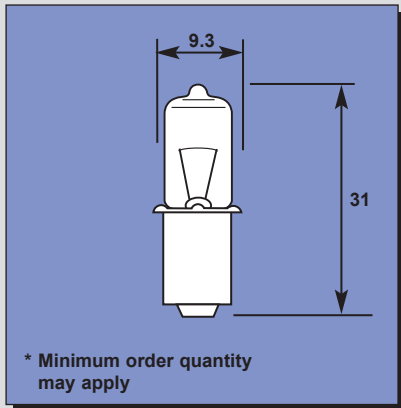
SMALL INDICATOR & PILOT LAMPS

PRE FOCUS KRYPTON 11.5 x 30.5mm CAP. P13.5s



Order Code	Volts	mA	Watts	Average Life Hours	Fil Form
*KPF/2/1.2/P	2	1200	2.4	15	C2R
*KPF/2.2/48/P	2.2	480	1.06	15	C2R
*KPF/2.4/49/P	2.4	490	1.18	10	C2R
KPF/2.4/79/P	2.4	700	1.68	15	C2R
KPF/2.4/83/P	2.4	835	2.0	15	C2R
*KPF/2.4/1.2/P	2.4	1.2A	2.88	15	C2R
*KPF/2.5/37/P	2.5	370	0.93	20	C2R
*KPF/2.5/52/P	2.5	520	1.30	15	C2R
*KPF/2.5/62/P	2.5	620	1.49	10	C2R
*KPF/3.6/32/P	3.6	320	1.15	30	C2R
KPF/3.6/7/P	3.6	700	2.5	20	C2R
KPF/3.6/8/P	3.6	800	1.88	15	C2R
*KPF/3.6/9/P	3.6	910	3.28	20	C2R
*KPF/3.6/1A/P	3.6	1000	3.60	20	C2R
KPF/3.8/1.2/P	3.85	1200	4.60	20	C2R
KPF/3.8/1.3/P	3.85	1320	5.1	20	C2R
*KPF/4/9/P	4	900	3.6	15	C2R
*KPF/4.8/32/P	4.8	320	1.54	30	C2R
*KPF/4.8/52/P	4.8	520	2.5	20	C2R
*KPF/4.8/65/P	4.8	650	3.12	20	C2R
*KPF/4.8/7/P	4.8	700	3.40	20	C2R
*KPF/4.8/75/P	4.8	750	3.60	20	C2R
*KPF/6/34/P	6	340	2.00	100	C2R
*KPF/6/42/P	6	420	2.40	100	C2R
*KPF/6/5/P	6	500	3.00	60	C2R
*KPF/6/75/P	6	750	4.50	15	C2R
*KPF/7/2/55/P	7.2	550	3.96	20	C2R
*KPF/7/75/P	7.2	750	5.40	15	C2R
*KPF/9/5/P	9.35	500	4.7	20	C2R
*KPF/12/7/P	12	700	8.4		C2R

PRE FOCUS HALOGEN 9.3 x 31mm CAP. P13.5s

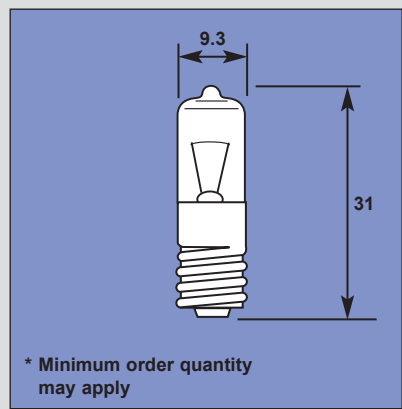


Order Code	Volts	mA	Watts	Average Life Hours	Fil Form
*HPF/2.5/5/P	2.5	500	1.25	25	C6
*HPF/2.5/83/P	2.5	830	2.08	25	C6
*HPF/2.8/5/P	2.8	500	1.40	10	C6
HPF/2.8/85/P	2.8	850	2.38	10	C6
HPF/3.6/6/P	3.6	1067	6		C6
*HPF/3.75/75/P	3.75	750	2.81	100	C6
HPF/4/5/P	4	500	2.00	15	C6
HPF/4/75/P	4	750	3.00	800	C6
HPF/4/85/P	4	850	3.40	25	C6
HPF/4/1A/P	4	1000	4	850	C6
*HPF/4.8/5/P	4.8	500	2.4	20	C6
HPF/4.8/85/P	4.8	850	3.4	25	C6
HPF/5/2/5/P	5.2	500	2.6	15	C6
HPF/5/2/85/P	5.2	850	4.4	25	C6
*HPF/5.5/1A/P	5.5	1000	5.5	40	C6
HPF/6/4/P	6	400	2.4	100	C6
HPF/6/5/P	6	500	3	100	C6
HPF/6/7/P	6	700	4.2	25	C6
*HPF/6/1A/P	6	1000	6	25	C6
*HPF/6/10/P	6	1666	10	25	C6
HPF/65/7/P	6.5	700	4.55	25	C6
*HPF/7/2/85/P	7.2	850	6.12	15	C6

SMALL INDICATOR & PILOT LAMPS

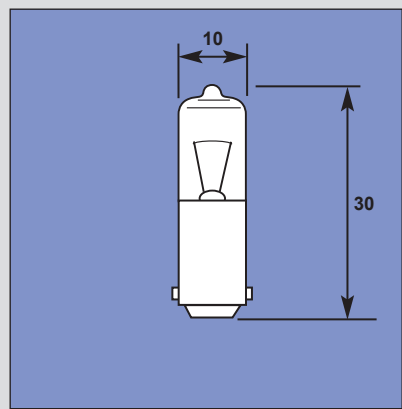
HALOGEN LAMP 9.3 x 31mm CAP. E10

Order Code	Volts	mA	Watts	Average Life Hours	Fil Form
*H10/2.5/.5/E	2.5	500	1.25	25	C6
H10/2.8/.85/E	2.8	850	2.38	10	C6
H10/4/.5/E	4	500	2	15	C6
H10/4/.75/E	4	750	3	600	C6
H10/4/.85/E	4	850	3.4	25	C6
H10/4/1A/E	4	1000	4	850	C6
H10/4.8/.5/E	4.8	500	2.4	15	C6
H10/4.8/.85/E	4.8	850	3.4	25	C6
H10/5.2/.5/E	5.2	500	2.6	15	C6
H10/5.2/.85/E	5.2	850	4.4	25	C6
H10/6/.4/E	6	400	2.4	100	C6
H10/6/.5/E	6	500	3	100	C6
H10/6/.7/E	6	700	4.2	25	C6
*H10/6/1A/E	6	1000	6	100	C6
*H10/6/10/E	6	1667	10	100	C6



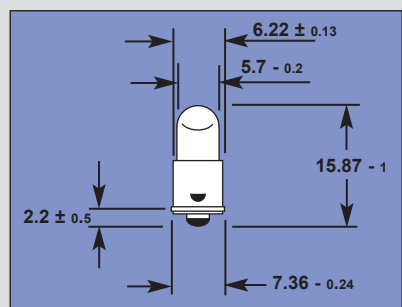
HALOGEN LAMP 10 x 30mm CAP. Ba9s (MCC)

Order Code	Volts	mA	Watts	Average Life Hours	Fil Form
H10/2.8/.85/B	2.8	850	2.4	10	C6
H10/4/.5/B	4	500	2	15	C6
H10/4/.75/B	4	750	3	600	C6
H10/4/1A/B	4	1000	4	850	C6
H10/4.8/.85/B	4.8	850	3.4	25	C6
H10/5.2/.5/B	5.2	500	2.6	15	C6
H10/5.2/.85/B	5.2	850	4.4	25	C6
H10/6/.4/B	6	400	2.4	100	C6
H10/6/.5/B	6	500	3	100	C6
H10/6/.7/B	6	700	4.2	25	C6
A21961	6	1666	10	100	C6
A21962	6	3334	20	100	C6
64111	12	416	5	200	C6
64113	12	833	10	200	C6
H10/12/15/B	12	1250	15	100	C6
A12452	12	1667	20	100	C6
A435	12	1916	23	100	C6



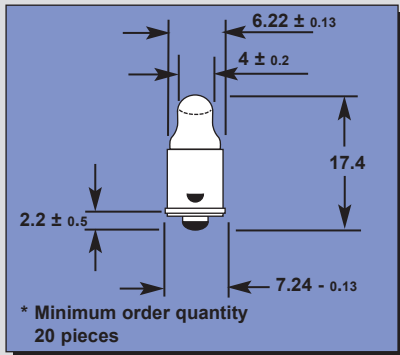
LENS END LAMP MIDGET FLANGE (6s/8) 6.35 x 15.9mm TL-1³/₄

Order Code	Volts	mA	Watts	Average Life Hours	Fil Form
7868/14	2.5	200	.25	3,000	C6
7840/14	2.5	350	.20	10,000	C2R
OR9254	5	60		100,000	C2R
7830/14	5	190	.46	5,000	C6
OR9255	5	115		40,000	C2R
7047/14	6	200	.60	2,000	C2R
OR9256	6	270		1,000	C2R



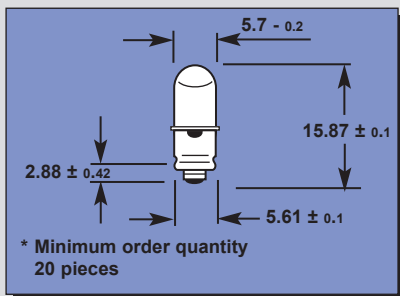
SMALL INDICATOR & PILOT LAMPS

LENS END LAMP MIDGET FLANGE (6s/8) 6.35 x 17.4mm GTL-1³/₄



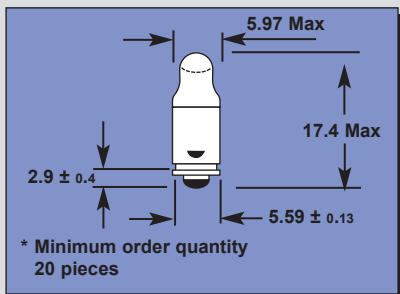
Order Code	Volts	mA	Watts	Average Life Hours	Fil Form
252	2.5	350	.20	10,000	C2R
7982/14	2.5	400	.32	3,000	C2R

LENS END LAMP MIDGET GROOVE 5.85 x 15.9mm TL-1³/₄



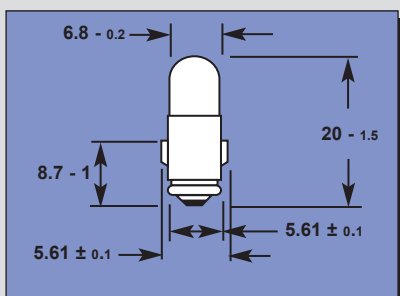
Order Code	Volts	mA	Watts	Average Life Hours	Fil Form
7868/17	2.5	200	.25	3,000	C6
8-373	2.5	350	.20	10,000	C2R
OR9264	5	60		100,000	C2R
7847/17	5	190	.46	5,000	C6
OR9265	5	115		40,000	C2R
7108/17	6	200	.60	2,000	C2R
OR9266	6	270		1,000	C2R

LENS END LAMP MIDGET GROOVE 5.85 x 17.4mm GTL-1³/₄



Order Code	Volts	mA	Watts	Average Life Hours	Fil Form
253	2.5	350	.20	10,000	C2R
253X	2.5	350	.20	10,000	C2R
261	2.5	350	.20	10,000	C2R
7982/14	2.5	400	.32	3,000	C2R

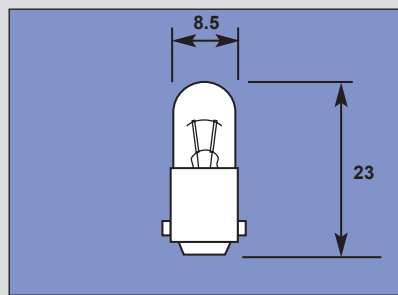
LENS END LAMP 7 x 20mm CAP.Ba7s



Order Code	Volts	mA	Watts	Average Life Hours	Fil Form
L/6/1.2/B	6	200		1,000	C2R

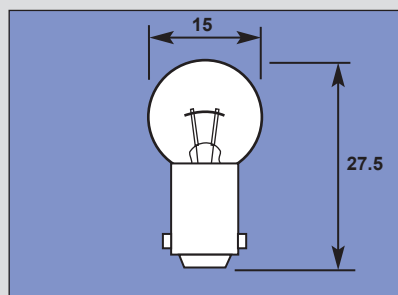
GK/R9 PRECISION FILAMENT LAMP 9 x 23mm CAP. Ba9s (MCC)

Order Code	Volts	mA	Watts	Average Life Hours	Fil Form
GK/R9/6/4	6	660		1,000	
GK/R9/6/5	6	830		1,000	
GK/R9/6/6	6	1000		1,000	



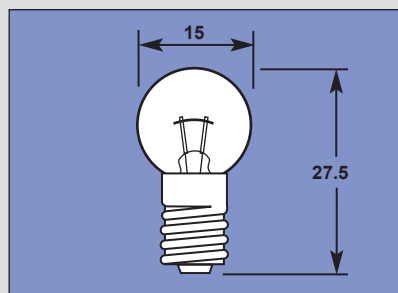
GK/K15 PRECISION FILAMENT LAMP 15 x 28mm CAP. Ba9s (MCC)

Order Code	Volts	mA	Watts	Average Life Hours	Fil Form
GK15/4/4/B	4	1000		1,000	
GK15/6/5/B	6	830		1,000	
GK15/6/6/B	6	1000		1,000	



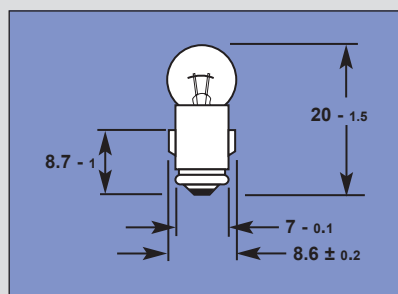
GK/K15 PRECISION FILAMENT LAMP 15 x 28mm CAP. E10 (MES)

Order Code	Volts	mA	Watts	Average Life Hours	Fil Form
GK15/4/4/E	4	1000		1,000	
GK15/6/5/E	6	830		1,000	
GK15/6/6/E	6	1000		1,000	



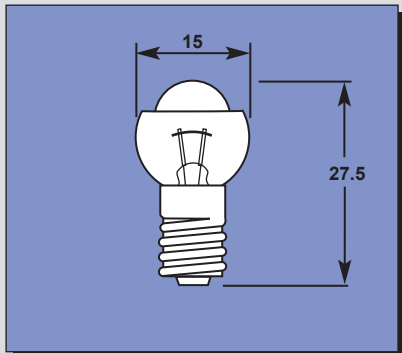
GK/K9 PRECISION FILAMENT LAMP 9 x 21mm CAP. Ba7s

Order Code	Volts	mA	Watts	Average Life Hours	Fil Form
GK/K9	5/6	500		1,000	



SMALL INDICATOR & PILOT LAMPS

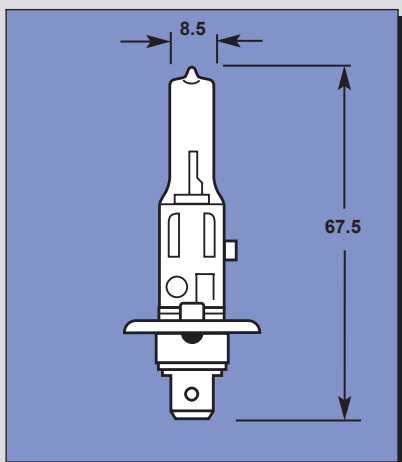
ARROW LAMP 15 x 28mm CAP. E10 (MES)



Order Code	Volts	mA	Watts	Average Life Hours	Fil Form
PS/250	2.5-3	70		3	V Form Light Point
KB/500	2.5-3	800			PRE-FOCUS
PS/500	5.1	1100			PRE-FOCUS

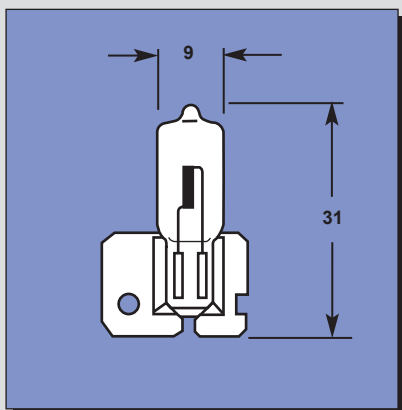
AUTOMOTIVE LAMPS

AUTO (HALOGEN) H1 8.5 x 67.5mm CAP. P14.5s



Order Code	Volts	mA	Watts	Average Life Hours	Fil Form
A465	6		55		Vert
A448	12		55		Vert
A448Sup	12		55	Xenon	Vert
A648	12		55	Blue	vert
A481	12		100		Vert
A481Blue	12		100	Blue	Vert
A487	12		130	Off Road	Vert
A466	24		70		Vert
A491	24		100	Off Road	Vert
A494	24		130	Off Road	Vert

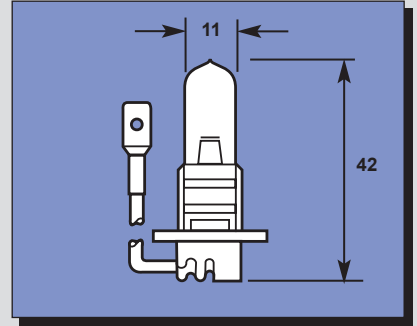
AUTO (HALOGEN) H2 9 x 31mm CAP. X511



Order Code	Volts	mA	Watts	Average Life Hours	Fil Form
A479	12		55		Vert
A480	12		100		Vert
A488	12		130		Vert
A482	24		70		Vert
A490	24		100		Vert

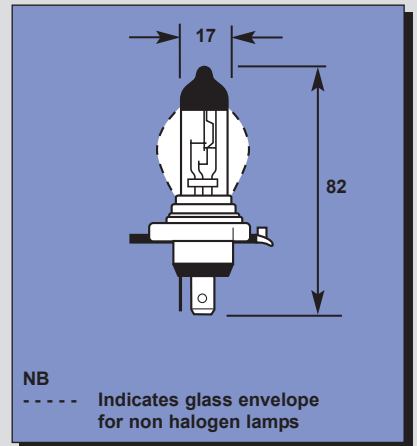
AUTO (HALOGEN) H3 11.5 x 42mm CAP. Pk22s

Order Code	Volts	mA	Watts	Average Life Hours	Fil Form
A455	6		55		Axial
A454	12		35		Axial
A453	12		55		Axial
A453Sup	12		55	Xenon	Axial
A453Blue	12		55	Blue	Axial
A483	12		100		Axial
A483Blue	12		100	Blue	Axial
A489	12		130	Off Road	Axial
A460	24		70		Axial
A495	24		100	Off Road	Axial
A496	24	130		Off Road	Axial
A442	48	45			Axial



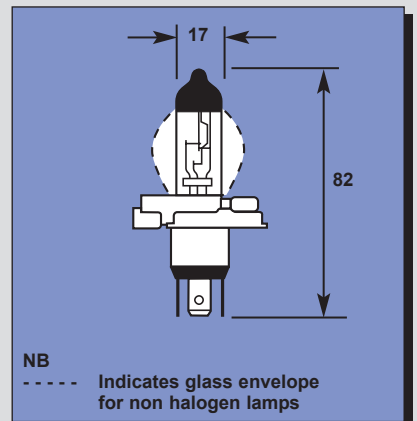
AUTO (HALOGEN) H4 17 x 82mm CAP. P43t

Order Code	Volts	mA	Watts	Average Life Hours	Fil Form
6342	6		60/55		Vert
A444	12		35/35	Non Halogen	Vert
A140117	12		45/45	Non Halogen	Vert
A140180	12		60/35		Vert
A472	12		60/55		Vert
A472HD	12		60/55	Heavy Duty	Vert
A472Sup	12		60/55	Xenon	Vert
A672	12		60/55	Blue	Vert
A473	12		100/55	Off Road	Vert
A484	12		100/80	Off Road	Vert
A484Blue	12		100/80	Blue	Vert
A477	12		130/90	Off Road	Vert
A475	24		75/70		Vert
A475Sup	24		100/90	Off Road	Vert
A498	24		130/90	Off Road	Vert



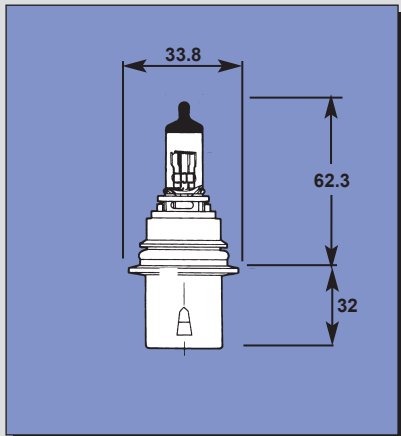
AUTO (HALOGEN) H4 17 x 82mm CAP. P45t

Order Code	Volts	mA	Watts	Average Life Hours	Fil Form
A635	6		35/35	Non Halogen	Vert
A423	6		45/40	Non Halogen	Vert
A424/T500G	6	Non Halogen	45/40	Amber	Vert
HB6	6		60/55		Vert
3130	6		75/75		Vert
A410	12		45/40	Non Halogen	Vert
AH410	12		60/55		Vert
A485	12		100/80	Off Road	Vert
A478	12		130/90	Off Road	Vert
A429	24		55/50	Non Halogen	Vert
AH429	24		75/70		Vert
T81667	24		75/75	Amber	Vert
HB24S	24		100/90	Off Road	Vert



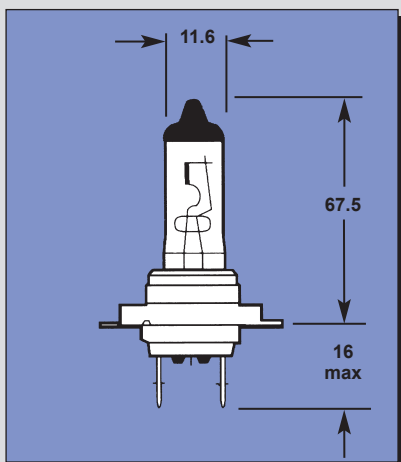
AUTOMOTIVE LAMPS

AUTO (HALOGEN) (HB1) H6 11.5 x 95mm CAP. P29t



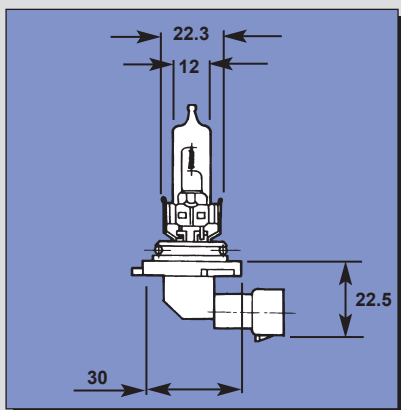
Order Code	Volts	mA	Watts	Average Life Hours	Fil Form
9004	12		65/45		Axial

AUTO (HALOGEN) H7 11.5 x 57 mm CAP. Px26d



Order Code	Volts	mA	Watts	Average Life Hours	Fil Form
A377	12		55		Vert
A377Sup	12		55		Vert
A377Blue	12		55		Vert
A12972VP	12		55	+50%	Vert
A464	12		80	Off Road	Vert
A64211	12		100	Off Road	Vert
A64211Blue	12		100	Blue	Vert
A64215	24		55		Vert
A474	24		70		Vert

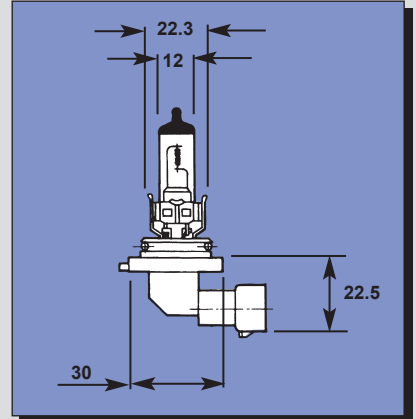
AUTO (HALOGEN) HB3 11.5 x 62mm CAP. P20d



Order Code	Volts	mA	Watts	Average Life Hours	Fil Form
A9005	12		60		Vert

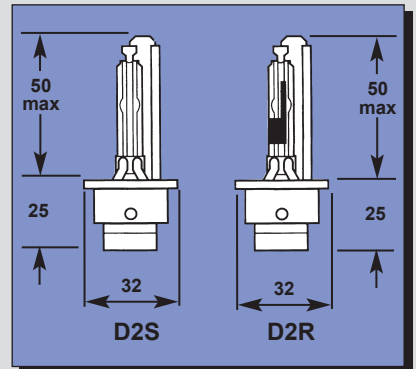
AUTO (HALOGEN) HB4 11.5 x 67mm CAP. P22d

Order Code	Volts	mA	Watts	Average Life Hours	Fil Form
A9006	12		51		Vert



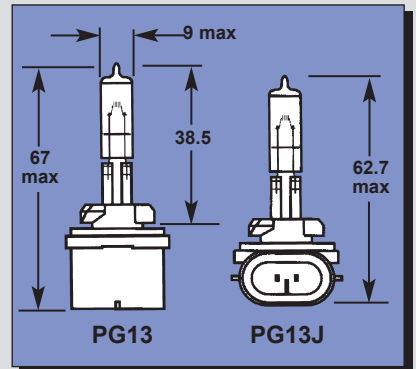
AUTO (DISCHARGE) 9 x 75mm CAPS. D2S & D2R

Order Code	Volts	mA	Watts	Average Life Hours	Fil Form
A85122	85		35		Special
A85126	85		35		Special



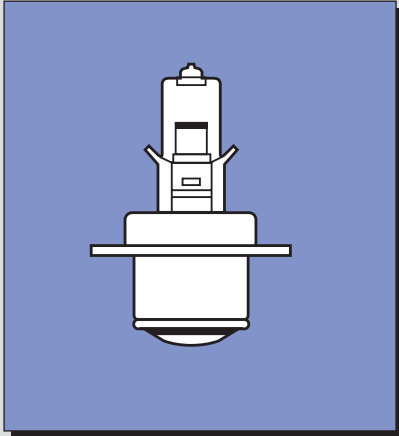
AUTO (HALOGEN) 9 x 67mm CAPS. PG13 & PG13J

Order Code	Volts	mA	Watts	Average Life Hours	Fil Form
A880	12			27	Axial
A881	12			27	Axial



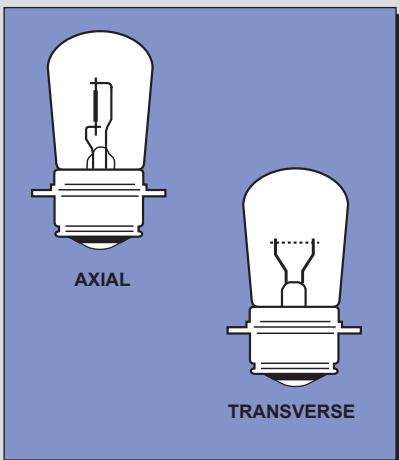
AUTOMOTIVE LAMPS

AUTO (HALOGEN) 11 x 54mm CAP. P36sBPF



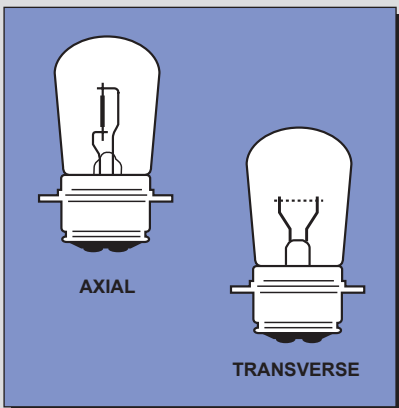
Order Code	Volts	mA	Watts	Average Life Hours	Fil Form
A450	12		55		Axial
A459	24		70		Axial

AUTO BRITISH PRE - FOCUS 28 x 64 mm CAP. P36s



Order Code	Volts	mA	Watts	Average Life Hours	Fil Form
A172	6		36		Axial
A185	12		48		Axial
A323	12		48		Transverse
A606	24		44		Transverse

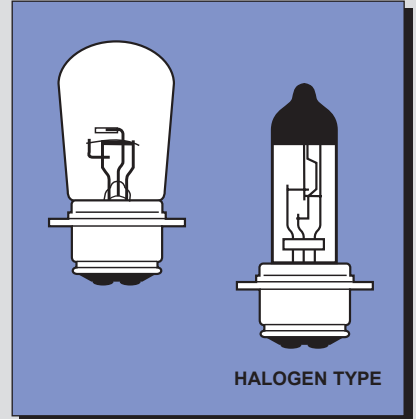
AUTO BRITISH PRE - FOCUS 28 x 64 mm CAP. P36d



Order Code	Volts	mA	Watts	Average Life Hours	Fil Form
A326	12		38		Transverse
A330	24		44		Transverse
A331	24		44		Axial

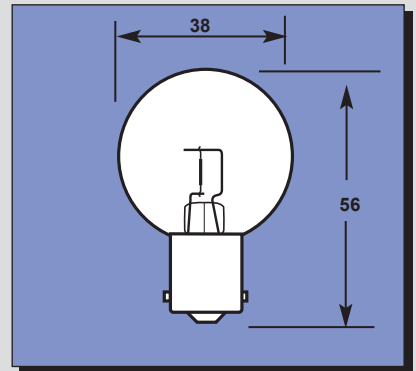
AUTO BRITISH PRE - FOCUS 28 x 64mm CAP. P36d

Order Code	Volts	mA	Watts	Average Life Hours	Fil Form
A312	6		30/24		Dual Fil
A4528	12		45/40		Dual Fil
A414	12		50/40		Dual Fil
A463	12		60/55	Halogen	Dual Fil
A437	24		54/44		Dual Fil



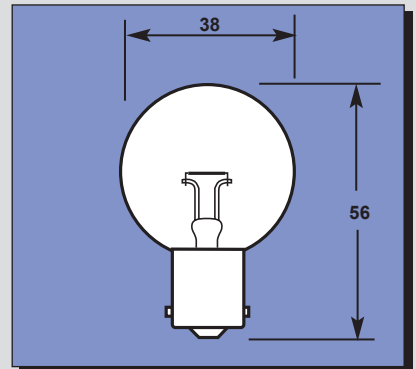
38mm HEADLAMP 38 x 56mm CAP. Ba15s (SCC) CLEAR

Order Code	Volts	mA	Watts	Average Life Hours	Fil Form
A106	6		24		Axial
A108	6		36		Axial
A1	12		24		Axial
A2	12		36		Axial
A23	12		48		Axial
A621	24		36		Axial
A623	24		48		Axial



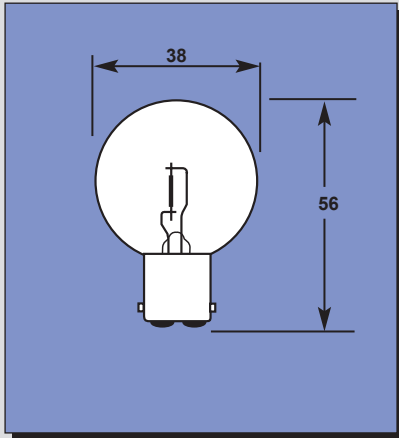
38mm HEADLAMP 38 x 56mm CAP. Ba15s (SCC) CLEAR

Order Code	Volts	mA	Watts	Average Life Hours	Fil Form
A5422	6			50	Transverse
A4190	12			35	Transverse



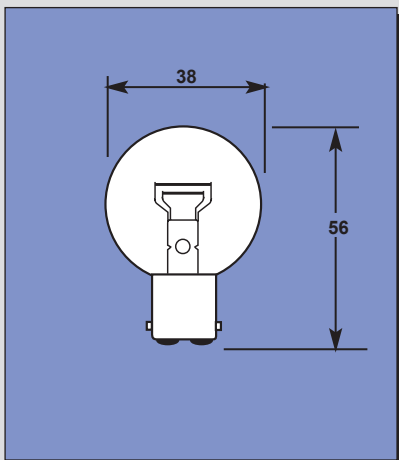
AUTOMOTIVE LAMPS

38mm HEADLAMP 38 x 56mm CAP. Ba15d (SBC) CLEAR



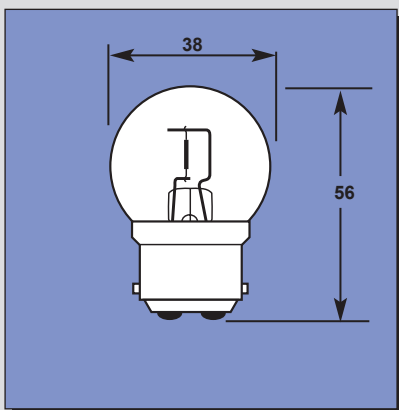
Order Code	Volts	mA	Watts	Average Life Hours	Fil Form
A111	6		36		Axial
A4	12		24		Axial
A5	12		36		Axial
A27	12		48		Axial
A123	24		36		Axial
A140	24		48		Axial

38mm HEADLAMP DOUBLE FILAMENT 38 x 56mm CAP, BA15d (SBC) CLEAR



Order Code	Volts	mA	Watts	Average Life Hours	Fil Form
A634	6		24/24		Transverse
A636	6		36/36		Transverse
A171	12		36/36		Transverse

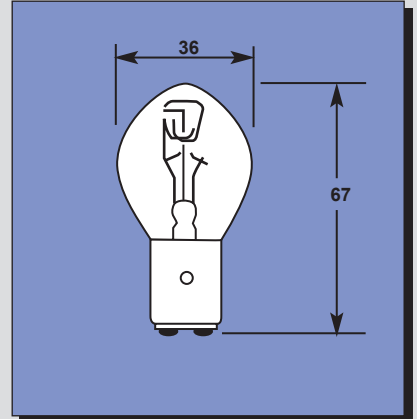
38mm HEADLAMP 38 x 56mm CAP. B22d (BC) CLEAR



Order Code	Volts	mA	Watts	Average Life Hours	Fil Form
A701	12		24		Axial
A702	12		36		Axial
A703	12		48		Axial
A620	24		24		Axial
A624	24		48		Axial
A1181	40		36		Axial

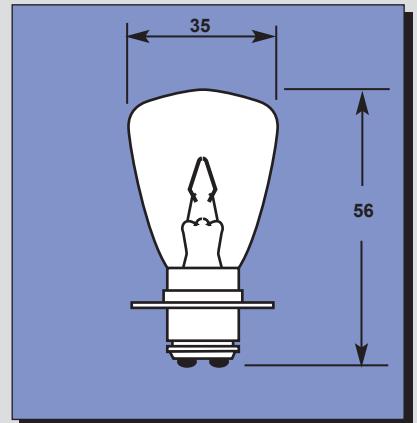
BOSCH AUTO HEADLAMP DOUBLE FILAMENT 36 x 67mm CAP. Ba20d

Order Code	Volts	mA	Watts	Average Life Hours	Fil Form
A518	6		15/15		Vert
A519	6		20/20		Vert
A392	6		25/25		Vert
A393	6		35/35		Vert
A527	6		45/40		Vert
A394	12		25/25		Vert
A395	12		35/35		Vert
A395HAL	12		35/35	Halogen	Vert
A396	12		45/40		Vert
A1524	24		35/35		Vert
A398	24		45/40		Vert



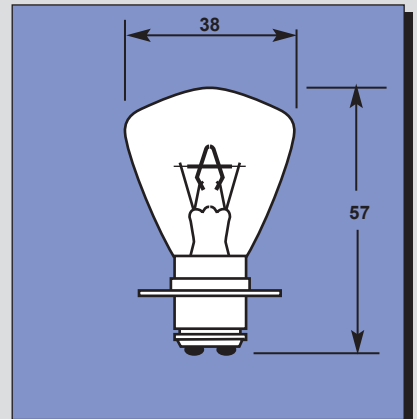
AUTO HEADLAMP 35 x 56mm CAP. P15d-25.3

Order Code	Volts	mA	Watts	Average Life Hours	Fil Form
A7007	6		25/25		Vert
A7004	6		30/25		Vert
A7005	6		35/25		Vert
A7008	6		35/36		Vert
A7025	12		35/25		Vert
A7027	12		35/35		Vert
A7028	12		45/40		Vert



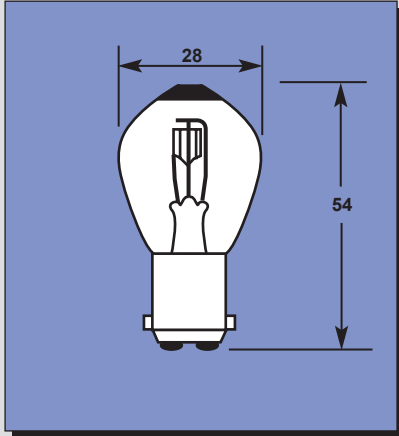
AUTO HEADLAMP 35 x 57mm CAP. P15d-30 (APF)

Order Code	Volts	mA	Watts	Average Life Hours	Fil Form
A5655	6			25/25	
A5659	6			35/35	
A5676	12			35/30	
A5677	12			35/35	
A5679	12			45/45	
A5600	12			50/45	



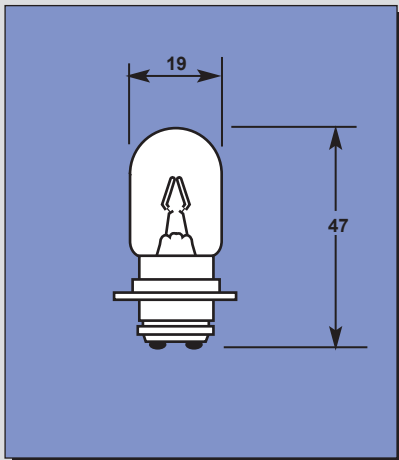
AUTOMOTIVE LAMPS

AUTO HEADLAMP 28 x 54mm CAP. BAX15d (LSP)



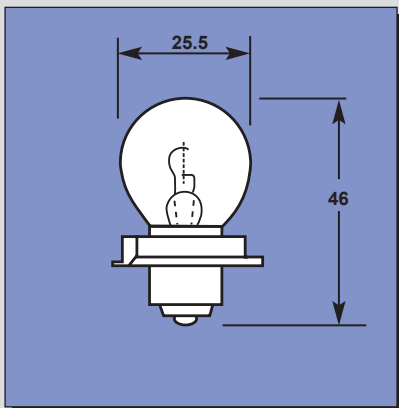
Order Code	Volts	mA	Watts	Average Life Hours	Fil Form
A7115	6		15/15		Hooded
A7116	6		18/18		
A7117	6		20/20		
A7100	6		25/25		

AUTO HEADLAMP 19 x 47mm CAP. P15d - 25 -1 (MPF)



Order Code	Volts	mA	Watts	Average Life Hours	Fil Form
A3598	6		15/15	Halogen	
A3596	6		18/18		
A3599	6		20/20		
A3625	6		25/25		
A140305	6		30/30		
A3598B	7		18/18		
A3608	12		15/15	Halogen	
A3603	12		25/25		
A140330	12		30/30		

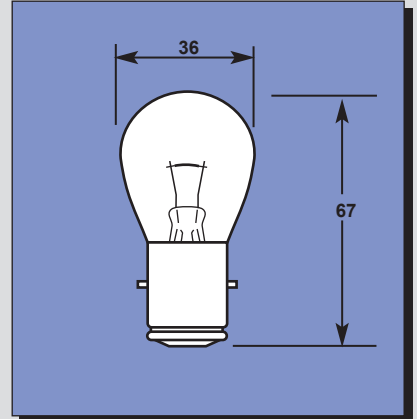
AUTO HEADLAMP 25.5 x 46mm CAP. P26s



Order Code	Volts	mA	Watts	Average Life Hours	Fil Form
A401	6		15		Vert
A400	6		20		Vert
AT410	12		15	Halogen	Vert
A412	12		15		Vert
A413	12		20		Vert

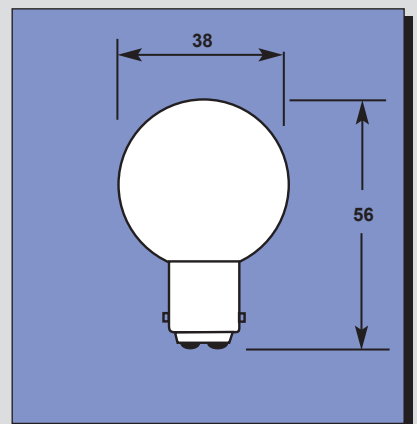
BOSCH 36 x 67mm CAP. Ba20s

Order Code	Volts	mA	Watts	Average Life Hours	Fil Form
A12234	6	5.83A	35		CC6
A7300	6	7.5A	45-50		CC6
A12264	12	2.9A	35		CC6
A12268	12	3.75A	45/50		CC6
A12294	24	1.45A	35		CC6
A7438	24	2.08A	45/50		CC6



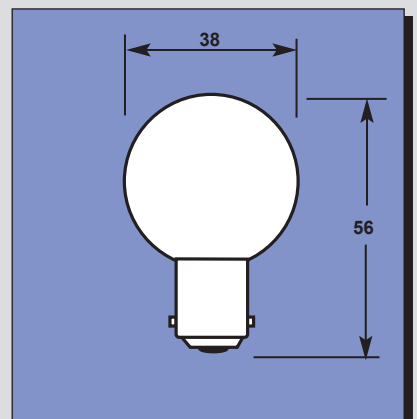
BUS BULBS 38 x 56mm CAP. Ba15d (SBC) PEARL

Order Code	Volts	mA	Watts	Average Life Hours	Fil Form
A805	12		12		Transverse
A810	12		20/24		Transverse
A810S	12		36		Transverse
A817	24		12		Transverse
A822	24		20/24		Transverse



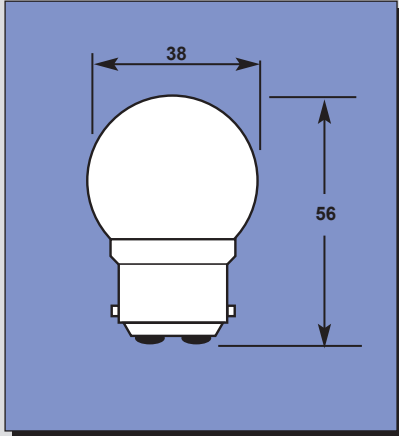
BUS BULBS 38 x 56mm CAP. Ba15s (SCC) PEARL

Order Code	Volts	mA	Watts	Average Life Hours	Fil Form
AB11	12		24		



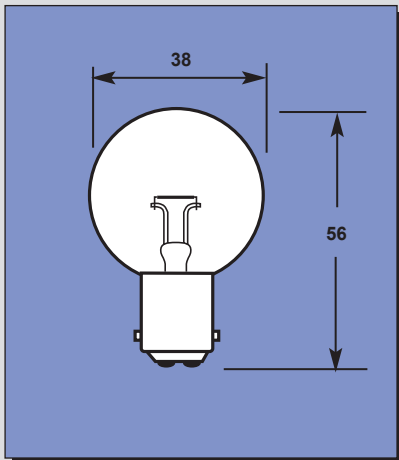
AUTOMOTIVE LAMPS

BUS BULBS 38 x 56mm CAP. B22d (BC) PEARL



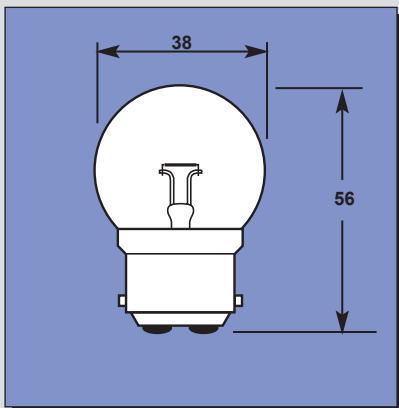
Order Code	Volts	mA	Watts	Average Life Hours	Fil Form
A804	12		12		Transverse
A809	12		20/24		Transverse
A638	24		6		Transverse
A816	24		12		Transverse
A821	24		20/24		Transverse
A823	24		36		Transverse

BUS BULBS 38 x 56mm CAP. Ba15d (SBC) CLEAR



Order Code	Volts	mA	Watts	Average Life Hours	Fil Form
A802	12		12		Transverse
A808	12		20/24		Transverse
A812	24		12		Transverse
A814	24		20/24		Transverse

BUS BULBS 38 x 56mm CAP. B22d (BC) CLEAR

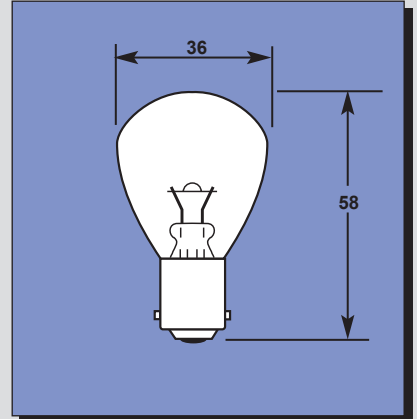


Order Code	Volts	mA	Watts	Average Life Hours	Fil Form
A801	12		12		Transverse
A807	12		20/24		Transverse
A811	24		12		Transverse
A813	24		20/24		Transverse
A815	24		36		Transverse

AUTOMOTIVE LAMPS

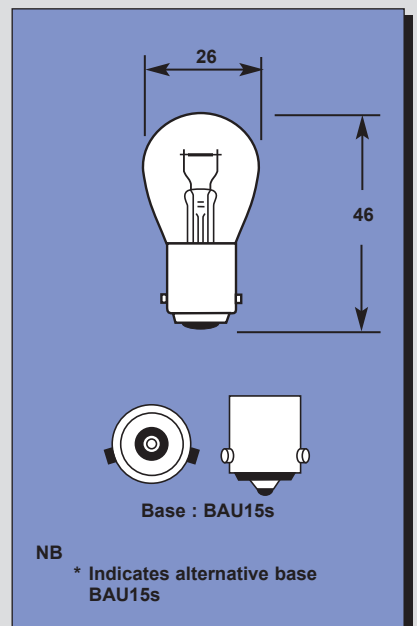
AUTO 36 x 58mm CAP. Ba15s (SCC)

Order Code	Volts	mA	Watts	Average Life Hours	Fil Form
A12036	6	7.5A	45		CC6
A12066	12	3.75A	45		CC6
A12096	24	1.87A	45		CC6



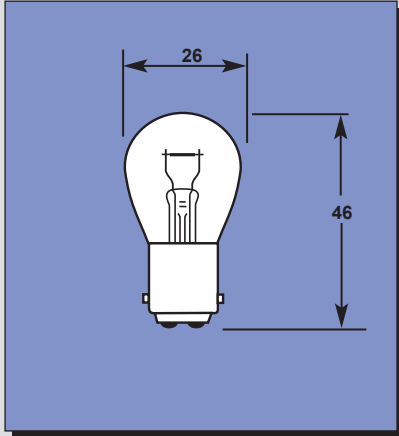
AUTO 26 x 46mm CAP. Ba15s (SCC)

Order Code	Volts	mA	Watts	Average Life Hours	Fil Form
A700G	6	2.5A	15		CC6
A720B	6	3A	18		CC6
A317	6	3.5A	21		CC6
AT351	12	1.25A	15		CC6
A221	12	1.5A	18		CC6
A382ALARM	12	1.7A	20	Reverse	CC6
A382	12	1.75A	21		CC6
A343	12	1.75A	21	Amber	CC6
*A581	12	1.75A	21	Amber	CC6
A4577	12	1.92	23		CC6
A352A	24	0.5A	12		CC6
A352	24	0.62	15		CC6
A241	24	0.875	21		CC6
A290	24	0.875	21	Heavy Duty	CC6
A588	24	0.875	21	Amber	CC6
A339	24	1A	24		CC6
A345	28	1A	28		CC6
A4090	48	0.166	8		CC6
*A4187	48	0.2A	10		CC6
*A4598	48	0.520	25		CC6
*A4690	48	0.94	45		CC6



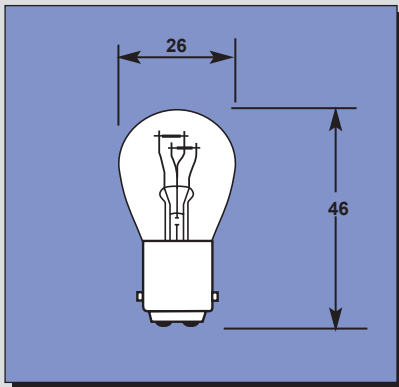
AUTOMOTIVE LAMPS

AUTO 26 x 46mm CAP. Ba15d (SBC)



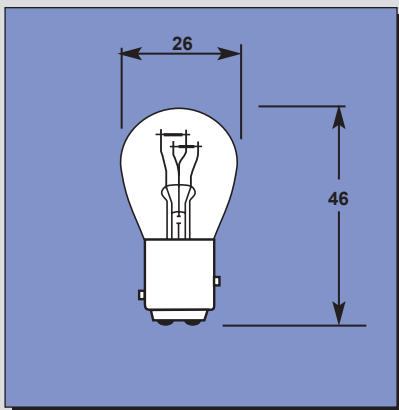
Order Code	Volts	mA	Watts	Average Life Hours	Fil Form
A319S	6	3A	18	Heavy Duty	CC6
A319	6	3.5A	21		CC6
A360	12	1.25A	15		CC6
A335	12	1.75A	21		CC6
A348	24	0.5A	12		CC6
A338	24	0.75A	18		CC6
A346	24	0.875	21		CC6
A291	24	0.875	21		CC6
A333	24	1A	24		CC6
A344	28	0.92	26		CC6

AUTO 26 x 46mm CAP. Ba15d



Order Code	Volts	mA	Watts	Average Life Hours	Fil Form
A383	6		18/5	Halogen	C6
A381	12		21/5		C6
A692	24		24/6		C6

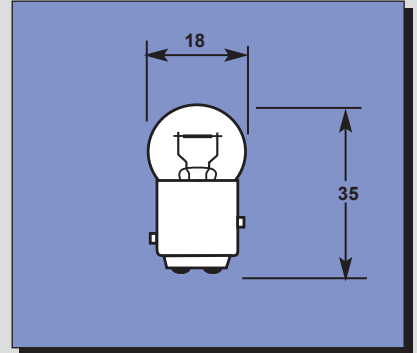
AUTO 26 x 46mm CAP. Bay15d (Off - Set Pin)



Order Code	Volts	mA	Watts	Average Life Hours	Fil Form
A4813	6		17/5.3	Heavy Duty	C6
A384B	6		18/6		C6
A384	6		21/5		C6
A384HD	6		21/5		C6
A380	12		21/5	Heavy Duty	C6
A380HD	12		21/5		C6
A4879	12		23/8		C6
A4875	12		24/6		C6
A4880	12		27/8		C6
A4829	12		32/3CP		C6
A294	24		21/5		C6
A334	24		24/6	C6	
A5700	48		45/40		C6
A4896	48		25/40		C6

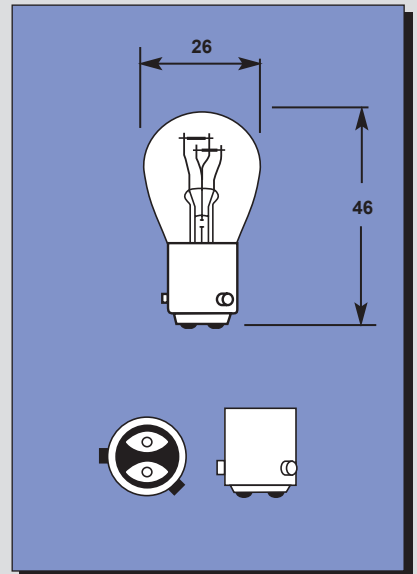
AUTO 18 x 35mm CAP. Bay15d (Off - Set Pin)

Order Code	Volts	mA	Watts	Average Life Hours	Fil Form
A4190	48	166	8		C6
A4192	48	208	10		C6
A4597	48	520	25		C6



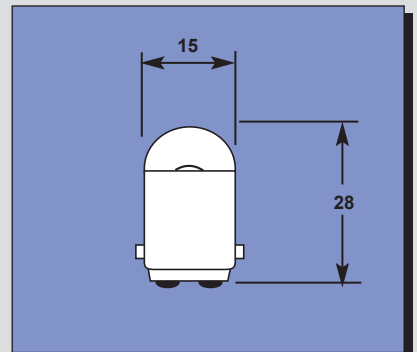
AUTO 26 x 46mm CAP. Baz15d

Order Code	Volts	mA	Watts	Average Life Hours	Fil Form
A566	12	1.75A	21/4		CC6



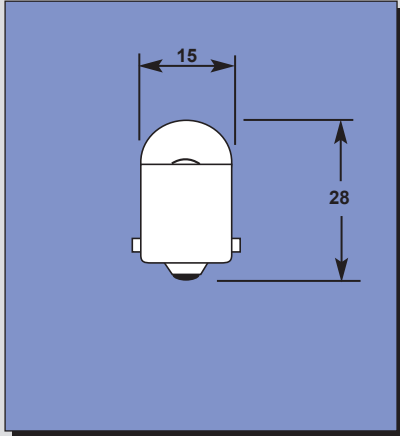
AUTO 15 x 28mm CAP. Ba15d (SBC)

Order Code	Volts	mA	Watts	Average Life Hours	Fil Form
A652	24	116	2.8		CC2F



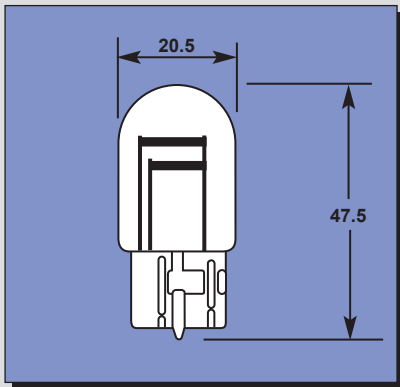
AUTOMOTIVE LAMPS

AUTO 15 x 28mm CAP. Ba15s (SCC)



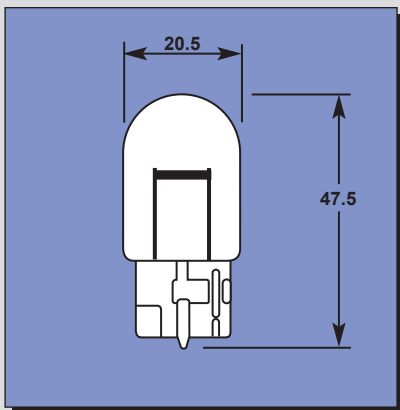
Order Code	Volts	mA	Watts	Average Life Hours	Fil Form
866	24	116	2.8		CC2F

AUTO 20 x 39mm CAP. W3 x 16q T20 WEDGE BASE



Order Code	Volts	mA	Watts	Average Life Hours	Fil Form
A580	12	1.75A	21/5		Horiz

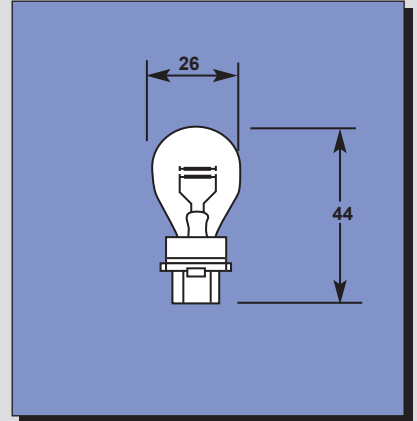
AUTO 20 x 43mm CAP. W3 x 16d T20 WEDGE BASE



Order Code	Volts	mA	Watts	Average Life Hours	Fil Form
A582	12	1.75A	21	Clear	Horz
A585	12	1.75A	21	Amber	Horz

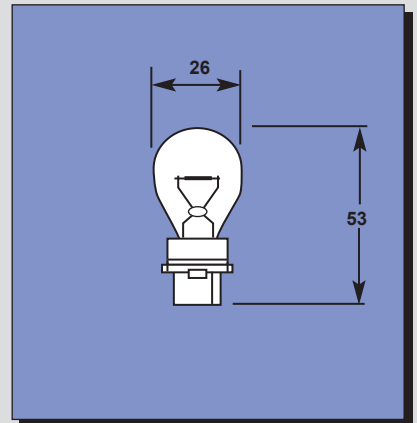
AUTO 26 x 44mm CAP. W2.5 x 16q WEDGE BASE

Order Code	Volts	mA	Watts	Base Colour	Fil Form
A3157	12	2.25/.58A	27/7	Black	Horz



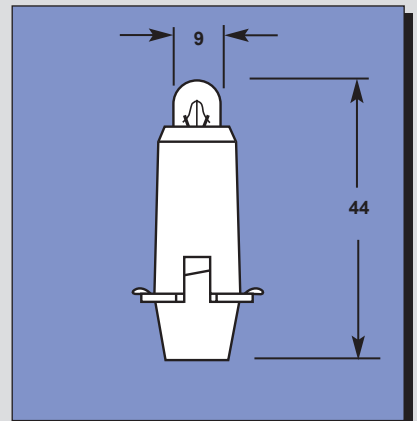
AUTO 25 x 53mm CAP. W2.5 x 16d WEDGE BASE

Order Code	Volts	mA	Watts	Base Colour	Fil Form
A3156	12	2.25A	27	Black	Horz



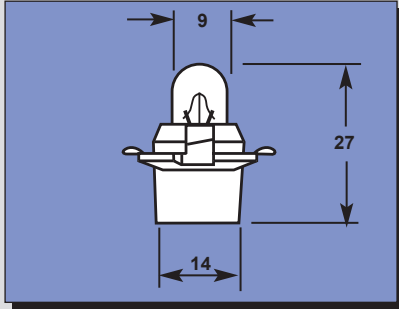
PRINTED CIRCUIT BASE 9 x 44mm

Order Code	Volts	mA	Watts	Average Life Hours	Fil Form
A512 PCB	12		2CP		C2F



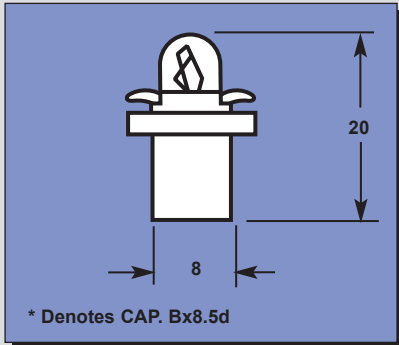
AUTOMOTIVE LAMPS

PRINTED CIRCUIT BASE 9 x 27mm CAP.B12.3d



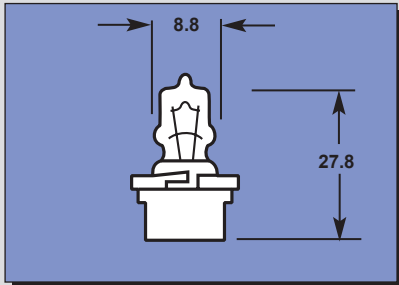
Order Code	Volts	mA	Watts	Average Life Hours	Fil Form
A512TR	12		2CP		C2F

PRINTED CIRCUIT BASE 8 x 20mm CAP. B8.5d & CAP. Bx8.5d



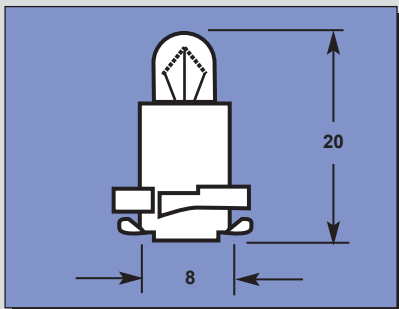
Order Code	Volts	mA	Watts	Base Colour	Fil Form
A509T	12	100	1.2	Black	C2F
*A509TOR	12	100	1.2	Orange	C2F
A508TBE	12	125	1.5	White	C2F
A509TGR	12	166	2	Green	C2F
A508T	24	50	1.2	Grey	CC2F
*A508TBR	24	50	1.2	Brown	CC2F

PRINTED CIRCUIT BASE 8.8 x 27.8mm CAP. B10d



Order Code	Volts	mA	Watts	Average Life Hours	Fil Form
A64124	12	416	5	Halogen	Special

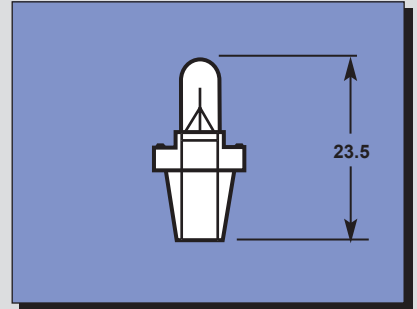
PRINTED CIRCUIT BASE 8 x 20mm CAP. B8.0d



Order Code	Volts	mA	Watts	Base Colour	Fil Form
A1471	24	50	1.2	Brown	CC2F
A1791	24	50	1.2	Yellow	CC2F
A6929	24	50	1.2	Light Green	CC2F

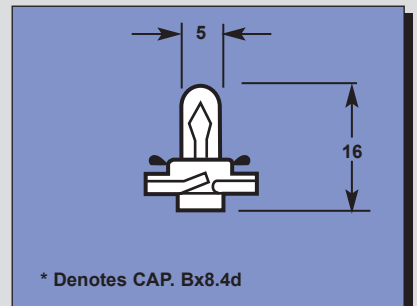
PRINTED CIRCUIT BASE 23.5mm CAP. B8.3d

Order Code	Volts	mA	Watts	Base Colour	Fil Form
A509TBBK	12	100	1.2	Black	C2F
A509TBWH	12	100	2	White	C2F
A508TBGY	24	50	1.2	Grey	CC2F



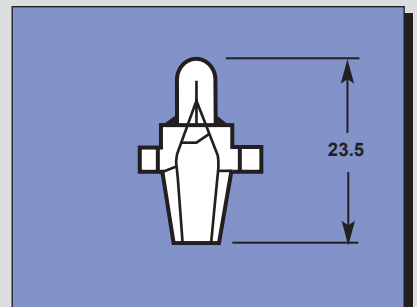
PRINTED CIRCUIT BASE 5 x 16mm CAP. B8.4d & CAP. Bx8.4d

Order Code	Volts	mA	Watts	Base Colour	Fil Form
A509TMBL	12	100	1.2	Blue	C2F
*A509TMOR	12	100	1.2	Orange	C2F
*A509TMBE	12	125	1.5	Beige	C2F
*A509TMGR	12	166	2	Green	C2F
*A508TMBK	24	50	1.2	Black	CC2F



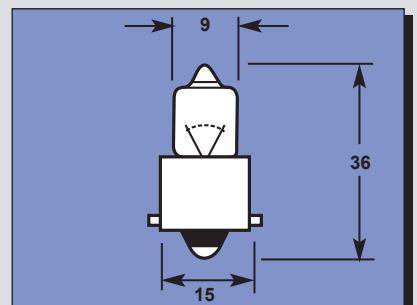
PRINTED CIRCUIT BASE 23.5mm CAP. B8.7d

Order Code	Volts	mA	Watts	Base Colour	Fil Form
A509TWGY	12	100	1.2	Grey	C2F
A509TWGR	12	166	2	Green	C2F



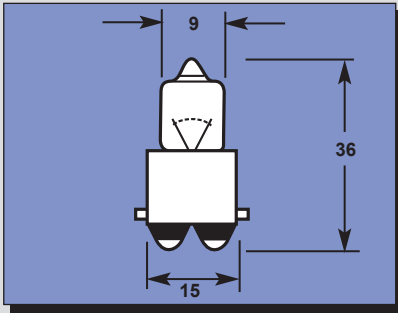
PRINTED CIRCUIT BASE 9 x 36mm CAP. Ba15s (SCC)

Order Code	Volts	mA	Watts	Average Life Hours	Fil Form
A467	12	416	5		Special
A468	12	833	10		Special
A741	24	833	20		Special



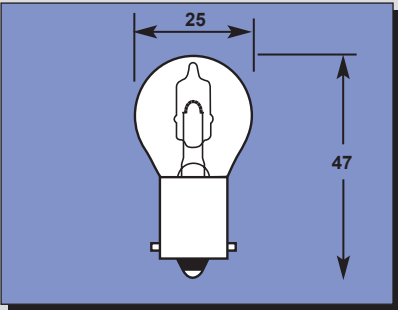
AUTOMOTIVE LAMPS

PRINTED CIRCUIT BASE 9 x 36mm CAP. B15d (SBC)



Order Code	Volts	mA	Watts	Average Life Hours	Fil Form
A471	12	833	10		Special

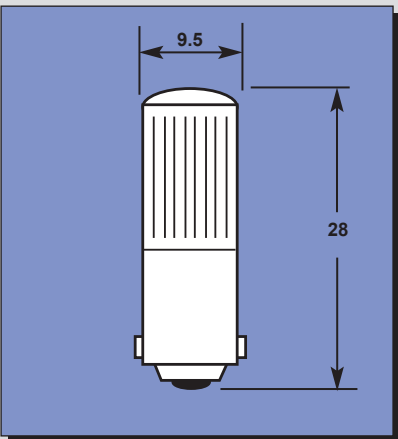
PRINTED CIRCUIT BASE 25 x 47mm CAP. B15s (SCC)



Order Code	Volts	mA	Watts	Average Life Hours	Fil Form
A568	12	833	10		Special

NEON LAMPS

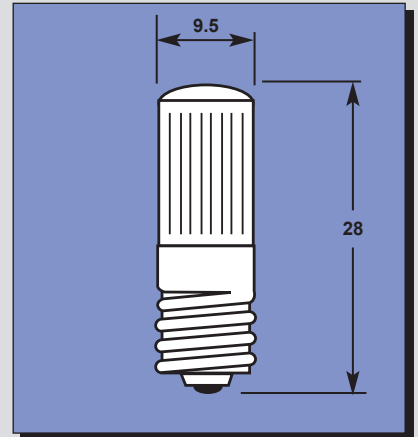
PLASTIC NEON WITHOUT RESISTOR 10 x 30mm CAP. Ba9s (MCC)



Order Code	Volts	mA	Watts	Average Life Hours	Fil Form
7L	65	0.6	STD. BRIGHT	15,000	Neon
7M	65	1.0	Med. Bright	15,000	Neon
7H	65	1.8	High Bright	15,000	Neon
7G	95	1.5	Green	15,000	Neon

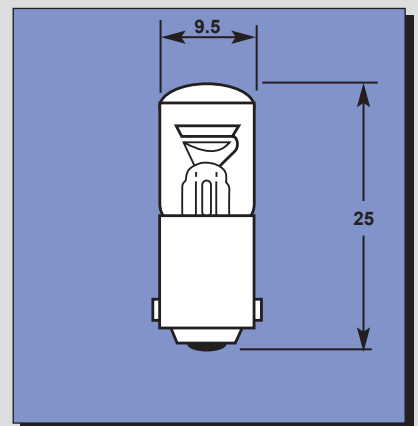
PLASTIC NEON WITHOUT RESISTOR 10 x 30mm CAP. E10 (MES)

Order Code	Volts	mA	Watts	Average Life Hours	Fil Form
8L	65	0.6	STD. BRIGHT	15,000	Neon
8M	65	1.0	Med. Bright	15,000	Neon
8H	65	1.8	High Bright	15,000	Neon
8G	95	1.5	Green	15,000	Neon



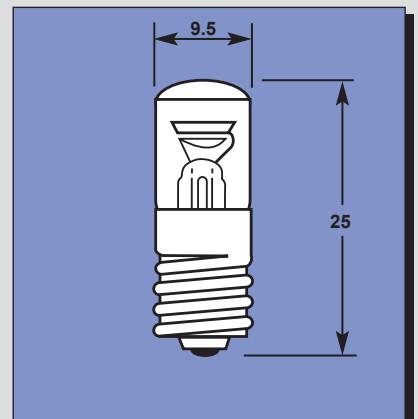
LGL NEON WITH BUILT - IN RESISTOR 9.5 x 25mm CAP. Ba9s (MCC)

Order Code	Volts	mA	Watts	Average Life Hours	Fil Form
LGL/110/B	110	0.8		15,000	Neon
LGL/220/B	220	1.5		15,000	Neon
LGL/380/B	380	1.5		15,000	Neon



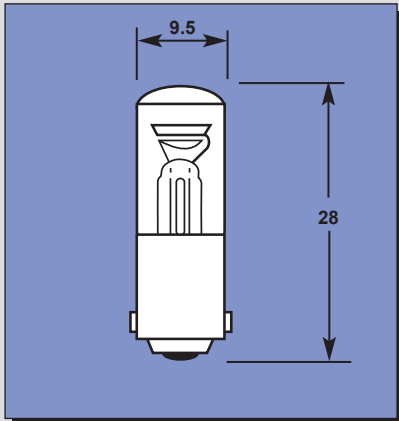
LGL NEON WITH BUILT - IN RESISTOR 9.5 x 25mm CAP.E10 (MES)

Order Code	Volts	mA	Watt	Average Life Hours	Fil Form
LGL/110/E	110	0.8		15,000	Neon
LGL/220/E	220	1.5		15,000	Neon
LGL/380/E	380	1.5		15,000	Neon



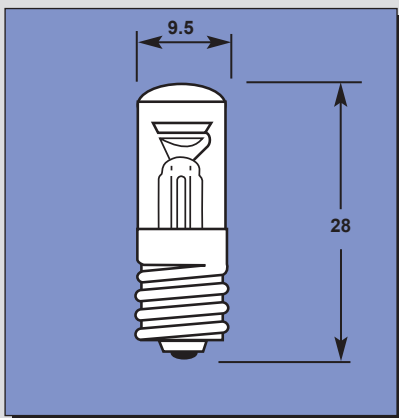
NEON LAMPS

ZGL NEON WITH BUILT - IN RESISTOR 9.5 x 28mm CAP. Ba9s (MCC)



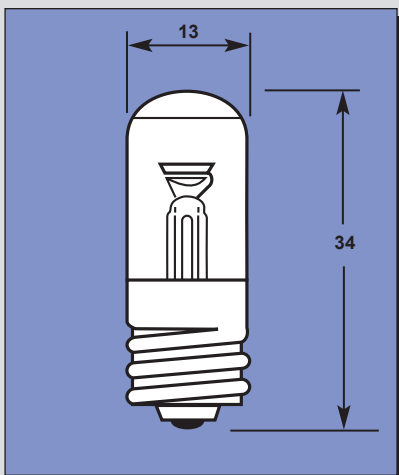
Order Code	Volts	mA	Watts	Average Life Hours	Fil Form
ZGL/65/B	65	0.8	Without Resistor	10,000	Neon
ZGL/110/B	110	1.5		15,000	Neon
ZGL/110/BF	110	1.1	Green	5,000	Neon
SP130/BNEON	110-130	1.5	Plastic	10,000	Neon
ZGL/220/B	220	1.5		15,000	Neon
ZGL/220/BF	220	1.9	Green	5,000	Neon
SP230/BNEON	220-230	1.5	Plastic	10,000	Neon
ZGL/380/B	380	1.5		15,000	Neon
ZGL/380/BF	380	0.9	Green	5,000	Neon
SP380/BNEON	380	1.2	Plastic	10,000	Neon

ZGL NEON WITH BUILT - IN RESISTOR 9.5 x 28mm CAP. E10 (MES)



Order Code	Volts	mA	Watts	Average Life Hours	Fil Form
ZGL/65/E	65	0.8	Without Resistor	10,000	Neon
ZGL/110/E	110	1.5		15,000	Neon
ZGL/110/EF	110	1.1	Green	5,000	Neon
SP130/BNEON	110-130	1.5	Plastic	10,000	Neon
ZGL/220/E	220	1.5		15,000	Neon
ZGL/220/EF	220	1.9	Green	5,000	Neon
SP230/BNEON	220-230	1.5	Plastic	10,000	Neon
ZGL/220/ER	220	1.9	Red - Glass	10,000	Neon
ZGL/220/EY	220	1.9	Yellow - Glass	10,000	Neon
ZGL/220/EG	220	1.9	Green - Glass	10,000	Neon
ZGL/380/E	380	1.5		15,000	Neon
ZGL/380/EF	380	0.9	Green	5,000	Neon
SP380/BNEON	380	1.2	Plastic	10,000	Neon

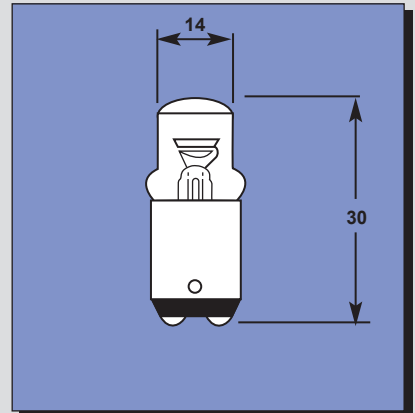
GL NEON WITH BUILT - IN RESISTOR 13 x 34mm CAP. E12 CANDELABRA



Order Code	Volts	mA	Watt	Average Life Hours	Fil Form
GL/110/E	110	1.5		10,000	Neon
GL/220/E	220	1.6		10,000	Neon

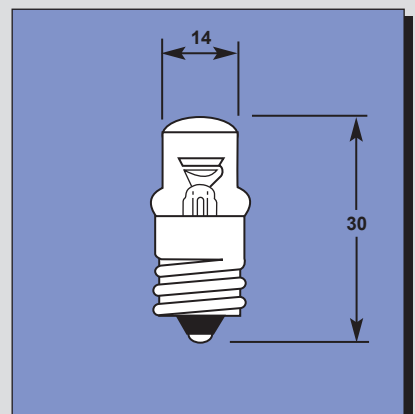
VGL NEON WITH BUILT - IN RESISTOR 14 x 30mm CAP. Ba15d (SBC)

Order Code	Volts	mA	Watts	Average Life Hours	Fil Form
VGL/65/B	65	1.5	Without Resistor	10,000	Neon
VGL/110/B	110	1.4		15,000	Neon
VGL/110BF	110	2.5	Green	5,000	Neon
VGL/110BP	110	1.5	Plastic	10,000	Neon
VGL/220/B	220	3.0		15,000	Neon
VGL/220/BF	220	2.5	Green	5,000	Neon
VGL/220/BP	220	1.5	Plastic	10,000	Neon
VGL/380/B	380	3.0		15,000	Neon
VGL/380/BF	380	1.2	Green	5,000	Neon
VGL/380/BP	380	1.2	Plastic	10,000	Neon



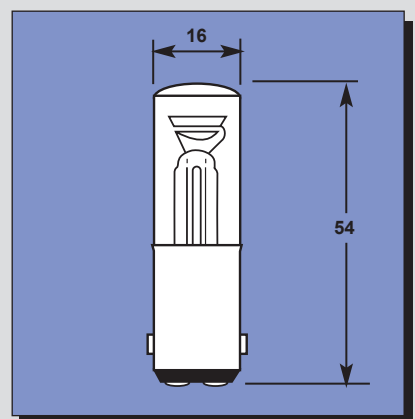
VGL NEON WITH BUILT - IN RESISTOR 14 x 30mm CAP. E14 (SES)

Order Code	Volts	mA	Watts	Average Life Hours	Fil Form
VGL/65/E	65	1.3	Without Resistor	10,000	Neon
VGL/110/E	110	1.4		15,000	Neon
VGL/110EF	110	2.0	Green	5,000	Neon
VGL/110EP	110	1.5	Plastic	10,000	Neon
VGL/220/E	220	3.0		15,000	Neon
VGL/220/EF	220	2.5	Green	5,000	Neon
VGL/220/EP	220	1.5	Plastic	10,000	Neon
VGL/380/E	380	3.0		15,000	Neon
VGL/380/EF	380	1.2	Green	5,000	Neon
VGL/380/EP	380	1.2	Plastic	10,000	Neon



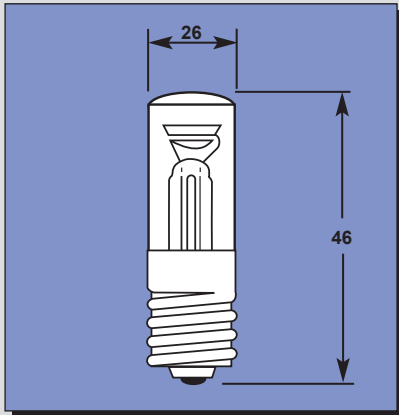
SGL NEON WITH BUILT - IN RESISTOR 16 x 54mm CAP. B15d (SBC)

Order Code	Volts	mA	Watts	Average Life Hours	Fil Form
SGL/65/B	65	2.0	Without Resistor	10,000	Neon
SGL/110/B	110	1.8		15,000	Neon
SGL/110/BP	110	1.5	Plastic	10,000	Neon
SGL/110/BF	110	3.5	Green	10,000	Neon
SGL/220/B	220	3.0		15,000	Neon
SGL/220/BP	220	1.5	Plastic	10,000	Neon
SGL/220/BF	220	3.5	Green	10,000	Neon
SGL/380/B	380	3.0		15,000	Neon
SGL/380/BP	380	1.2	Plastic	10,000	Neon
SGL/380/BF	380	1.8	Green	10,000	Neon



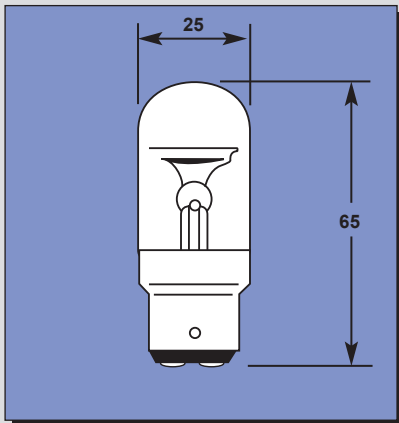
NEON LAMPS

SGL NEON WITH BUILT - IN RESISTOR 16 x 54mm CAP. E14 (SES)



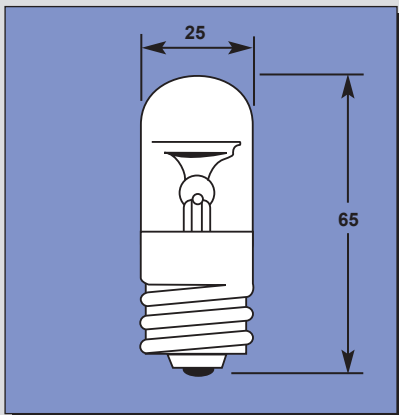
Order Code	Volts	mA	Watts	Average Life Hours	Fil Form
SGL/65/E	65	2.0	Without Resistor	10,000	Neon
SGL/110/E	110	1.8	Plastic Green	15,000	Neon
SGL/110/EP	110	1.5		10,000	Neon
SGL/110/EF	110	3.5		5,000	Neon
SGL/220/E	220	3.0	Plastic Green Red - Glass Yellow - Glass Green - Glass	15,000	Neon
SGL/220/EP	220	1.5		10,000	Neon
SGL/220/EF	220	3.5		5,000	Neon
SGL/220/ER	220	3.5		Neon	
SGL/220/EY	220	3.5		Neon	
SGL/220/EG	220	3.5		Neon	
SGL/380/E	380	3.0	Plastic Green	15,000	Neon
SGL/380/EP	380	1.2		10,000	Neon
SGL/380/EF	380	1.8		5,000	Neon

GGL NEON WITH BUILT- IN RESISTOR 27 x 60mm CAP. B22d (BC)



Order Code	Volts	mA	Watts	Average Life Hours	Fil Form
GGL/110/B	110	4		7,500	Neon
GGL/220/B	220	5		7,500	Neon
GGL/380/B	380	4		7,500	Neon

GGL NEON WITH BUILT- IN RESISTOR 27 x 60mm CAP. E27 (ES)



Order Code	Volts	mA	Watts	Average Life Hours	Fil Form
GGL/110/E	110	4		7,500	Neon
GGL/220/E	220	5		7,500	Neon
GGL/380/E	380	4		7,500	Neon

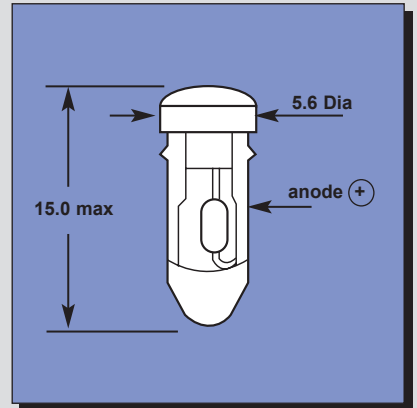
MULTI CHIP LIGHT EMITTING DIODES

LIGHT EMITTING DIODES

The details contained within the following tables are for guidance only, because of the manufacturers ongoing development programme to improve the LED range, lamp specification details may vary from time to time. Please consult our sales department for any specific lamp requirement

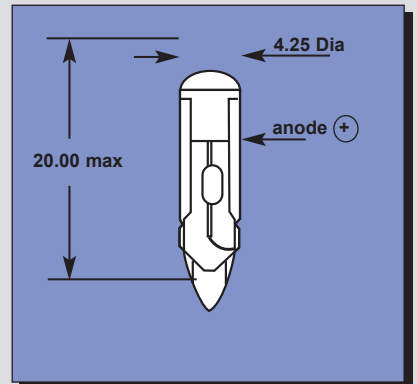
LAMPS MULTI - LED MINIATURE 5.6 x 15mm CAP. T4.5 6 CHIPS - DC

Order Code	Volts ±5°	mA DC	mcd DC	Peak Wave Length nm	Viewing Angle	Colour
6T45R12	12	30	29	630	180°	Red
6T45G12	12	30	73	565	180°	Green
6T45Y12	12	30	51	585	180°	Yellow
6T45R24	24	14	28	630	180°	Red
6T45G24	24	14	71	565	180°	Green
6T45Y24	24	14	49	585	180°	Yellow
6T45R28	28	12	25	630	180°	Red
6T45G28	28	12	64	565	180°	Green
6T45Y28	28	12	45	585	180°	Yellow



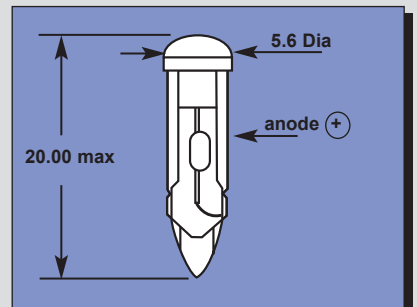
LAMPS MULTI - LED SUB LILLIPUT 4.25 x 20mm CAP. T4.6 4 CHIPS - DC

Order Code	Volts ±5°	mA DC	mcd DC	Peak Wave Length nm	Viewing Angle	Colour
4T46R6	6	32	19	630	180°	Red
4T46G6	6	32	45	565	180°	Green
4T46Y6	6	32	33	585	180°	Yellow
4T46R12	12	16	19	630	180°	Red
4T46G12	12	16	45	565	180°	Green
4T46Y12	12	16	33	585	180°	Yellow
4T46R24	24	14	18	630	180°	Red
4T46G24	24	14	44	565	180°	Green
4T46Y24	24	14	32	585	180°	Yellow



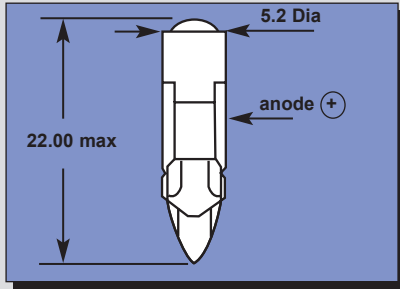
LAMPS MULTI - LED SUB LILLIPUT 5.6 x 20mm CAP. T4.6 6 CHIPS - DC

Order Code	Volts ±5°	mA DC	mcd DC	Peak Wave Length nm	Viewing Angle	Colour
6T46R12	12	30	29	630	180°	Red
6T46G12	12	30	73	565	180°	Green
6T46Y12	12	30	51	585	180°	Yellow
6T46R24	24	14	28	630	180°	Red
6T46G24	24	14	71	565	180°	Green
6T46Y24	24	14	49	585	180°	Yellow



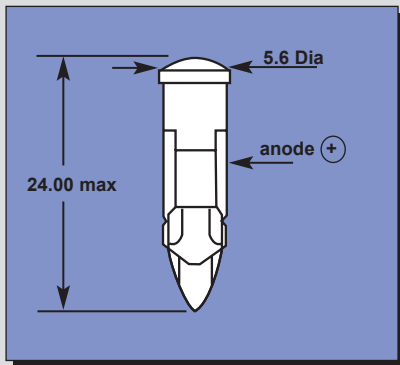
MULTI CHIP LIGHT EMITTING DIODES

LAMPS MULTI - LED SHORT LILLIPUT 5.2 x 22mm CAP. T5.5K 4 CHIPS - DC



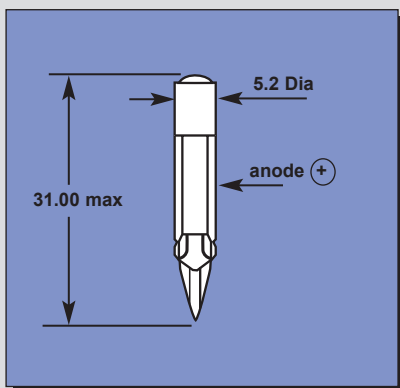
Order Code	Volts ±5°	mA DC	mcd DC	Peak Wave Length nm	Viewing Angle	Colour
4T55KR6	6	32	19	630	180	Red
4T55KG6	6	32	45	565	180	Green
4T55KY6	6	32	33	585	180	Yellow
4T55KR12	12	16	19	630	180	Red
4T55KG12	12	16	45	565	180	Green
4T55KY12	12	16	33	585	180	Yellow
4T55KR24	24	16	19	630	180	Red
4T55KG24	24	16	45	565	180	Green
4T55KY24	24	16	33	585	180	Yellow
4T55KR28	28	16	19	630	180°	Red
4T55KG28	28	16	45	565	180°	Green
4T55KY28	28	16	33	585	180°	Yellow
4T55KR48	48	9	14	630	180°	Red
4T55KG48	48	9	36	565	180°	Green
4T55KY48	48	9	26	585	180°	Yellow

LAMPS MULTI - LED SHORT LILLIPUT 5.6 x 24mm CAP. T5.5K 6 CHIPS - DC



Order Code	Volts ±5°	mA DC	mcd DC	Peak Wave Length nm	Viewing Angle	Colour
6T55KR12	12	30	29	630	180°	Red
6T55KG12	12	30	73	565	180°	Green
6T55KY12	12	30	51	585	180°	Yellow
6T55KR24	24	15	29	630	180°	Red
6T55KG24	24	15	73	565	180°	Green
6T55KY24	24	15	51	585	180°	Yellow
6T55KR48	48	9	29	630	180°	Red
6T55KG48	48	9	58	565	180°	Green
6T55KY48	48	9	40	585	180°	Yellow

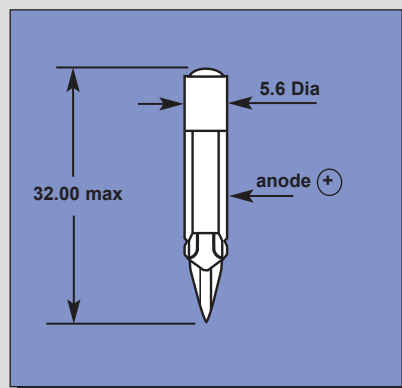
LAMPS MULTI - LED LILLIPUT 5.2 x 31mm CAP. T5.5 4 CHIPS - DC



Order Code	Volts ±5°	mA DC	mcd DC	Peak Wave Length nm	Viewing Angle	Colour
4T55R6	6	32	19	630	180°	Red
4T55G6	6	32	45	565	180°	Green
4T55Y6	6	32	33	585	180°	Yellow
4T55R12	12	16	19	630	180°	Red
4T55G12	12	16	45	565	180°	Green
4T55Y12	12	16	33	585	180°	Yellow
4T55R24	24	16	19	630	180°	Red
4T55G24	24	16	45	565	180°	Green
4T55Y24	24	16	33	585	180°	Yellow
4T55R28	28	16	19	630	180°	Red
4T55G28	28	16	45	565	180°	Green
4T55Y28	28	16	33	585	180°	Yellow
4T55R48	48	14	18	630	180°	Red
4T55G48	48	14	44	565	180°	Green
4T55Y48	48	14	32	585	180°	Yellow

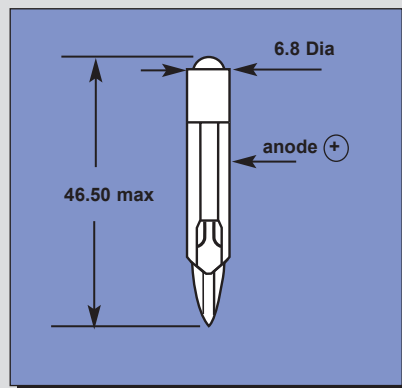
LAMPS MULTI - LED LILLIPUT MINIATURE 5.6 x 32mm CAP. T5.5 6 CHIPS - DC

Order Code	Volts ±5°	mA DC	mcd DC	Peak Wave Length nm	Viewing Angle	Colour
6T55R6	6	45	29	630	180°	Red
6T55G6	6	45	73	565	180°	Green
6T55Y6	6	45	51	585	180°	Yellow
6T55R12	12	30	29	630	180°	Red
6T55G12	12	30	73	565	180°	Green
6T55Y12	12	30	51	585	180°	Yellow
6T55B12	12	-	-	470	180°	Blue
6T55R24	24	15	29	630	180°	Red
6T55G24	24	15	73	565	180°	Green
6T55Y24	24	15	51	585	180°	Yellow
6T55B24	24	-	-	470	180°	Blue
6T55R28	28	15	29	630	180°	Red
6T55G28	28	15	73	565	180°	Green
6T55Y28	28	15	51	585	180°	Yellow
6T55B28	28	-	-	470	180°	Blue
6T55R36	36	11	24	630	180°	Red
6T55G36	36	11	60	565	180°	Green
6T55Y36	36	11	42	585	180°	Yellow
6T55R48	48	13	26	630	180°	Red
6T55G48	48	13	67	565	180°	Green
6T55Y48	48	13	47	585	180°	Yellow
6T55B48	48	-	-	470	180°	Blue
6T55R60	60	10	24	630	180°	Red
6T55G60	60	10	60	565	180°	Green
6T55Y60	60	10	42	585	180°	Yellow



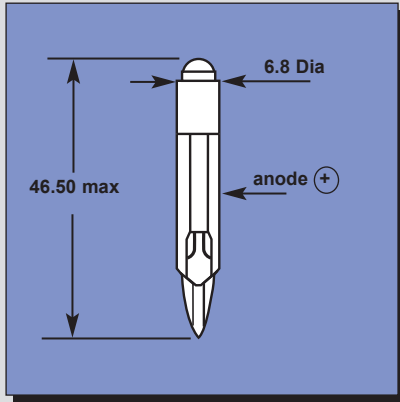
LAMPS MULTI - LED STANDARD TELEPHONE GERMAN TYPE 6.8 x 46.5mm CAP. T6.8 4 CHIPS - DC

Order Code	Volts ±5°	mA DC	mcd DC	Peak Wave Length nm	Viewing Angle	Colour
4T68GR6	6	32	19	630	180°	Red
4T68GG6	6	32	45	565	180°	Green
4T68GY6	6	32	33	585	180°	Yellow
4T68GR12	12	16	19	630	180°	Red
4T68GG12	12	16	45	565	180°	Green
4T68GY12	12	16	33	585	180°	Yellow
4T68GR24	24	16	19	630	180°	Red
4T68GG24	24	16	45	565	180°	Green
4T68GY24	24	16	23	585	180°	Yellow
4T68GR48	48	14	18	630	180°	Red
4T68GG48	48	14	44	565	180°	Green
4T68GY48	48	14	32	585	180°	Yellow



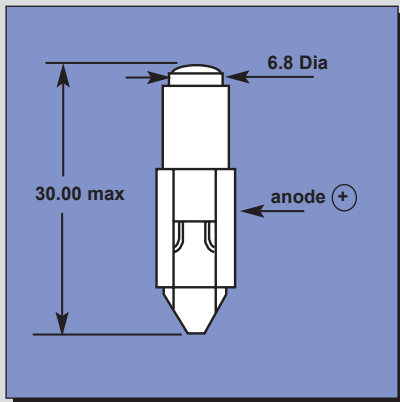
MULTI CHIP LIGHT EMITTING DIODES

LAMPS MULTI - LED STANDARD TELEPHONE GERMAN TYPE 6.8 x 46.5mm CAP. T6.8 6 CHIPS - DC



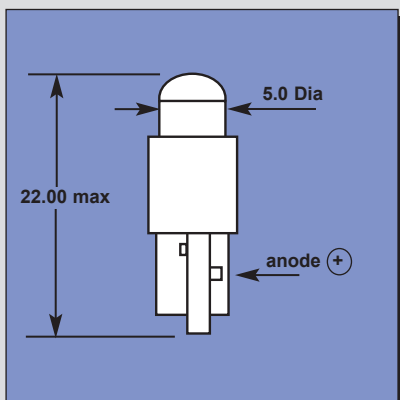
Order Code	Volts ±5°	mA DC	mcd DC	Peak Wave Length nm	Viewing Angle	Colour
6T68GR6	6	45	29	630	180°	Red
6T68GG6	6	45	73	565	180°	Green
6T68GY6	6	45	51	585	180°	Yellow
6T68GR12	12	30	29	630	180°	Red
6T68GG12	12	30	73	565	180°	Green
6T68GY12	12	30	51	585	180°	Yellow
6T68GR24	24	15	29	630	180°	Red
6T68GG24	24	15	73	565	180°	Green
6T68GY24	24	15	51	585	180°	Yellow
6T68GR48	48	13	26	630	180°	Red
6T68GG48	48	13	67	565	180°	Green
6T68GY48	48	13	47	585	180°	Yellow

LAMPS MULTI - LED AMERICAN TYPE SLIDE BASE (PSB) 6.8 x 30mm CAP. T2 6 CHIPS - DC



Order Code	Volts ±5°	mA DC	mcd DC	Peak Wave Length nm	Viewing Angle	Colour
6T6PSBR12	12	30	29	630	180°	Red
6T6PSBG12	12	30	73	565	180°	Green
6T6PSBY12	12	30	51	585	180°	Yellow
6T6PSBR24	24	15	29	630	180°	Red
6T6PSBG24	24	15	73	565	180°	Green
6T6PSBY24	24	15	51	585	180°	Yellow
6T6PSBR48	48	13	26	630	180°	Red
6T6PSBG48	48	13	67	565	180°	Green
6T6PSBY48	48	13	47	585	180°	Yellow
6T6PSBR120	120 (AC)	7	14	630	180°	Red
6T6PSBG120	120 (AC)	7	24	585	180°	Green
6T6PSBY120	120 (AC)	7	35	565	180°	Yellow

LAMPS MULTI - LED T1³/₄ WEDGE BASE 5 x 20mm CAP. W2 x 4.6d 4 CHIPS - DC

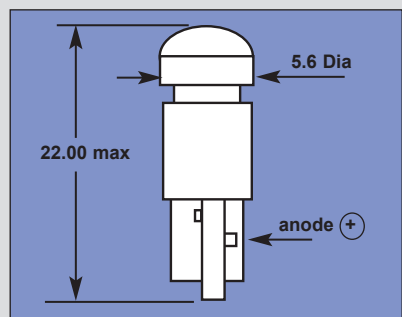


Order Code	Volts ±5°	mA DC	mcd DC	Peak Wave Length nm	Viewing Angle	Colour
4WBR6	6	32	19	630	180°	Red
4WBG6	6	32	45	565	180°	Green
4WBY6	6	32	33	585	180°	Yellow
4WBR12	12	16	19	630	180°	Red
4WBG12	12	16	45	565	180°	Green
4WBY12	12	16	33	585	180°	Yellow
4WBB12	12	-	-	470	180°	Blue
4WBR24	24	12	17	630	180°	Red
4WBG24	24	12	41	565	180°	Green
4WBY24	24	12	30	585	180°	Yellow
4WBB24	24	-	-	470	180°	Blue

MULTI CHIP LIGHT EMITTING DIODES

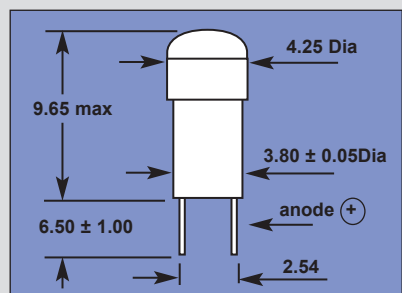
LAMPS MULTI - LED T1^{3/4} WEDGE BASE 5.6 x 20mm CAP. W2 x 4.6d 6 CHIPS - DC

Order Code	Volts ±5°	mA DC	mcd DC	Peak Wave Length nm	Viewing Angle	Colour
6WBR6	6	45	29	630	180°	Red
6WBG6	6	45	73	565	180°	Green
6WBY6	6	45	51	585	180°	Yellow
6WBR12	12	30	29	630	180°	Red
6WBG12	12	30	73	565	180°	Green
6WBY12	12	30	51	585	180°	Yellow
6WBB12	12	-	-	470	180°	Blue
6WBR24	24	12	25	630	180°	Red
6WBG24	24	12	64	565	180°	Green
6WBY24	24	12	45	585	180°	Yellow
6WBB24	24	-	-	470	180°	Blue



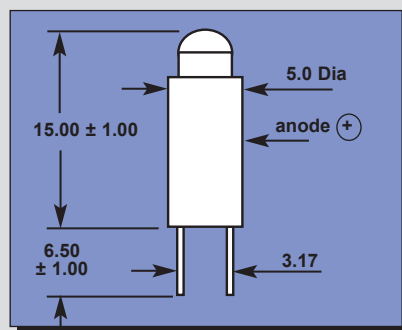
LAMPS MULTI - LED T1 BI - PIN 4.25 x 9.65mm Pin Spacing 2.54mm 4 CHIPS - DC

Order Code	Volts ±5°	mA DC	mcd DC	Peak Wave Length nm	Viewing Angle	Colour
4T1BPRMR12	12	16	19	630	180°	Red
4T1BPRMG12	12	16	45	565	180°	Green
4T1BPRMY12	12	16	33	585	180°	Yellow
4T1BPRM24	24	12	17	630	180°	Red
4T1BPRMG24	24	12	41	565	180°	Green
4T1BPRMY24	24	12	30	585	180°	Yellow
4T1BPRMR28	28	12	17	630	180°	Red
4T1BPRMG28	28	12	41	565	180°	Green
4T1BPRMY28	28	12	30	585	180°	Yellow



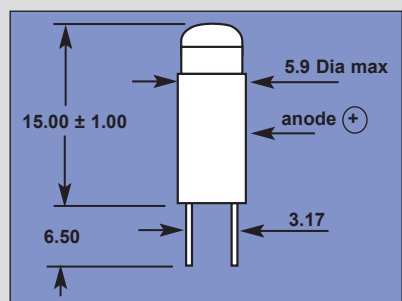
LAMPS MULTI - LED T1^{3/4} BI - PIN 5 x 16mm Pin Spacing 3.7mm 4 CHIPS - DC

Order Code	Volts ±5°	mA DC	mcd DC	Peak Wave Length nm	Viewing Angle	Colour
4BPR6	6	32	19	630	180°	Red
4BPG6	6	32	45	565	180°	Green
4BPY6	6	32	39	585	180°	Yellow
4BPR12	12	16	19	630	180°	Red
4BPG12	12	16	45	565	180°	Green
4BPY12	12	16	33	585	180°	Yellow
4BPR24	24	16	19	630	180°	Red
4BPG24	24	16	45	565	180°	Green
4BPY24	24	16	33	585	180°	Yellow
4BPR28	28	16	19	630	180°	Red
4BPG28	28	16	45	565	180°	Green
4BPY28	28	16	33	585	180°	Yellow



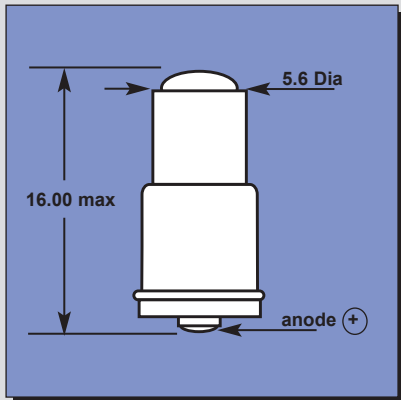
LAMPS MULTI - LED T1^{3/4} BI - PIN 5.9 x 16mm Pin Spacing 3.17mm 6 CHIPS - DC

Order Code	Volts ±5°	mA DC	mcd DC	Peak Wave Length nm	Viewing Angle	Colour
6BPR12	12	30	29	630	180°	Red
6BPG12	12	30	73	565	180°	Green
6BPY12	12	30	51	585	180°	Yellow
6BPR24	24	15	29	630	180°	Red
6BPG24	24	15	73	565	180°	Green
6BPY24	24	15	51	585	180°	Yellow
6BPR28	28	15	29	630	180°	Red
6BPG28	28	15	73	565	180°	Green
6BPY28	28	15	51	585	180°	Yellow



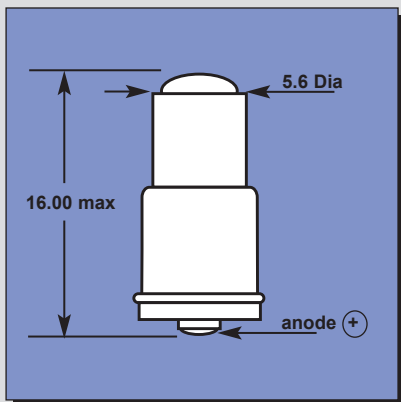
MULTI CHIP LIGHT EMITTING DIODES

LAMPS MULTI - LED T1³/₄ MIDGET FLANGE 5.6 x 16mm CAP. 6s/8 4 CHIPS - DC



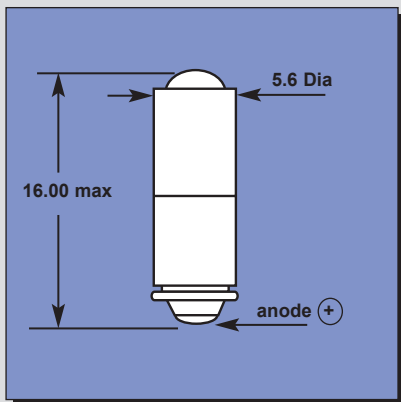
Order Code	Volts ±5°	mA DC	mcd DC	Peak Wave Length nm	Viewing Angle	Colour
4MFR6	6	32	19	630	180°	Red
4MFG6	6	32	45	565	180°	Green
4MFY6	6	32	33	585	180°	Yellow
4MFR12	12	16	19	630	180°	Red
4MFG12	12	16	45	565	180°	Green
4MFY12	12	16	33	585	180°	Yellow
4MFR24	24	16	19	630	180°	Red
4MFG24	24	16	45	565	180°	Green
4MFY24	24	16	33	585	180°	Yellow
4MFR28	28	16	19	630	180°	Red
4MFG28	28	16	45	565	180°	Green
4MFY28	28	16	33	585	180°	Yellow
4MFR48	48	14	18	630	180°	Red
4MFG48	48	14	44	565	180°	Green
4MFY48	48	14	32	585	180°	Yellow

LAMPS MULTI - LED T1³/₄ MIDGET FLANGE 5.6 x 16mm CAP. 6s/8 6 CHIPS - DC



Order Code	Volts ±5°	mA DC	mcd DC	Peak Wave Length nm	Viewing Angle	Colour
6MFR6	6	45	29	630	180°	Red
6MFG6	6	45	73	565	180°	Green
6MFY6	6	45	51	585	180°	Yellow
6MFR12	12	30	29	630	180°	Red
6MFG12	12	30	73	565	180°	Green
6MFY12	12	30	51	585	180°	Yellow
6MFB12	12	-	-	470	180°	Blue
6MFR24	24	15	29	630	180°	Red
6MFG24	24	15	73	565	180°	Green
6MFY24	24	15	51	585	180°	Yellow
6MFB24	24	-	-	470	180°	Blue
6MFR28	28	15	29	630	180°	Red
6MFG28	28	15	73	565	180°	Green
6MFY28	28	15	51	585	180°	Yellow
6MFR48	48	9	23	630	180°	Red
6MFG48	48	9	56	565	180°	Green
6MFY48	48	9	39	585	180°	Yellow

LAMPS MULTI - LED T1³/₄ MIDGET GROOVE 5.6 x 16mm CAP. S5.7s 4 CHIPS - DC

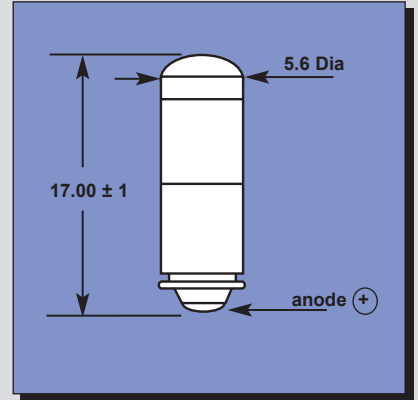


Order Code	Volts ±5°	mA DC	mcd DC	Peak Wave Length nm	Viewing Angle	Colour
4MGR6	6	32	19	630	180°	Red
4MGG6	6	32	45	565	180°	Green
4MGY6	6	32	33	585	180°	Yellow
4MGR12	12	16	19	630	180°	Red
4MGG12	12	16	45	565	180°	Green
4MGY12	12	16	33	585	180°	Yellow
4MGB12	12	-	-	470	180°	Blue
4MGR24	24	16	19	630	180°	Red
4MGG24	24	16	45	565	180°	Green
4MGY24	24	16	33	585	180°	Yellow
4MGB24	24	-	-	470	180°	Blue
4MGR28	28	16	19	630	180°	Red
4MGG28	28	16	45	565	180°	Green
4MGY28	28	16	33	585	180°	Yellow
4MGR48	48	14	18	630	180°	Red
4MGG48	48	14	44	565	180°	Green
4MGY48	48	14	32	585	180°	Yellow

MULTI CHIP LIGHT EMITTING DIODES

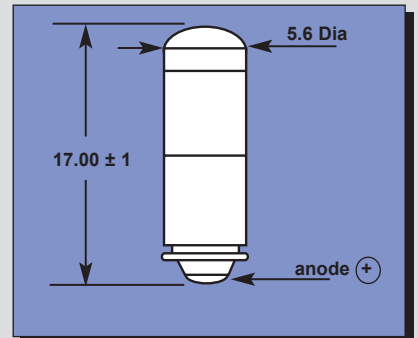
LAMPS MULTI - LED T1³/₄ MIDGET GROOVE 5.6 x 17mm CAP. S5.7s 6 CHIPS - DC

Order Code	Volts ±5°	mA DC	mcd DC	Peak Wave Length nm	Viewing Angle	Colour
6MGR6	6	45	29	630	180°	Red
6MGG6	6	45	73	565	180°	Green
6MGY6	6	45	51	585	180°	Yellow
6MGR12	12	30	29	630	180°	Red
6MGG12	12	30	73	565	180°	Green
6MGY12	12	30	51	585	180°	Yellow
6MGB12	12	-	-	470	180°	Blue
6MGR24	24	15	29	630	180°	Red
6MGG24	24	15	73	565	180°	Green
6MGY24	24	15	51	585	180°	Yellow
6MGB24	24	-	-	470	180°	Blue
6MGR28	28	15	29	630	180°	Red
6MGG28	28	15	73	565	180°	Green
6MGY28	28	15	51	585	180°	Yellow
6MGR48	48	13	26	630	180°	Red
6MGG48	48	13	57	565	180°	Green
6MGY48	48	13	47	585	180°	Yellow



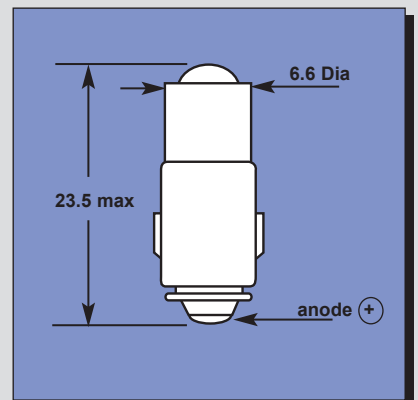
LAMPS MULTI - LED T1³/₄ MIDGET GROOVE 6.1 x 15.9mm CAP. S5.7s 6 CHIPS - AC / DC

Order Code	Volts ±5°	mA AC/DC	mcd AC/DC	Peak Wave Length nm	Viewing Angle	Colour
6MGR24ACDC	24	10	24	630	180°	Red
6MGG24ACDC	24	10	60	565	180°	Green
6MGY24ACDC	24	10	42	585	180°	Yellow
6MGR28ACDC	28	10	24	630	180°	Red
6MGG28ACDC	28	10	60	565	180°	Green
6MGY28ACDC	28	10	42	585	180°	Yellow



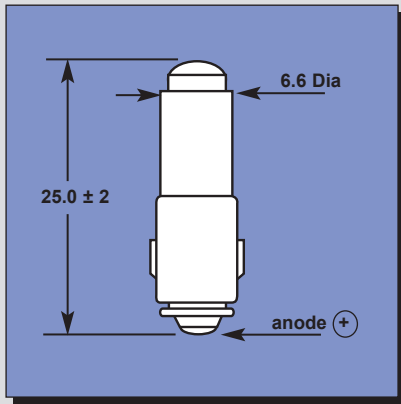
LAMPS MULTI - LED TYPE 7123 6.6 x 23.5mm CAP. BA7s 4 CHIPS - DC

Order Code	Volts ±5°	mA DC	mcd DC	Peak Wave Length nm	Viewing Angle	Colour
4BA7SR6	6	32	19	630	180°	Red
4BA7SG6	6	32	45	565	180°	Green
4BA7SY6	6	32	33	585	180°	Yellow
4BA7SR12	12	16	19	630	180°	Red
4BA7SG12	12	16	45	565	180°	Green
4BA7SY12	12	16	33	585	180°	Yellow
4BA7SR24	24	16	19	630	180°	Red
4BA7SG24	24	16	45	565	180°	Green
4BA7SY24	24	16	33	585	180°	Yellow
4BA7SR28	28	16	19	630	180°	Red
4BA7SG28	28	16	45	565	180°	Green
4BA7SY28	28	16	33	585	180°	Yellow
4BA7SR48	48	10	16	630	180°	Red
4BA7SG48	48	10	37	565	180°	Green
4BA7SY48	48	10	27	585	180°	Yellow



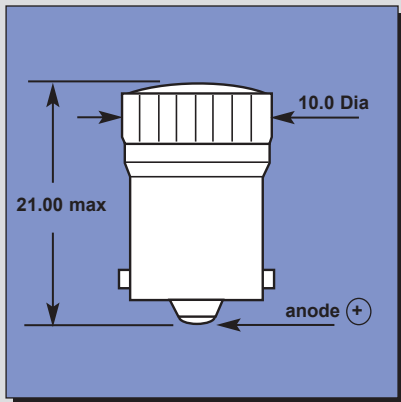
MULTI CHIP LIGHT EMITTING DIODES

LAMPS MULTI - LED TYPE 7123 6.6 x 25mm CAP. BA7s 6 CHIPS - DC



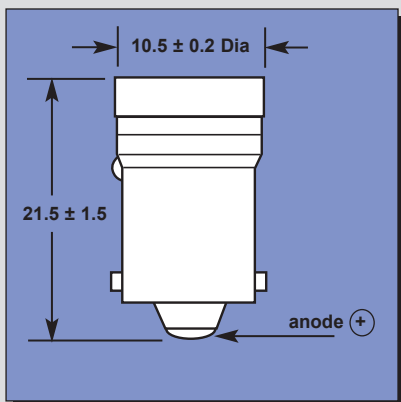
Order Code	Volts ±5°	mA DC	mcd DC	Peak Wave Length nm	Viewing Angle	Colour
6BA7SR12	12	30	29	630	180°	Red
6BA7SG12	12	30	73	565	180°	Green
6BA7SY12	12	30	51	585	180°	Yellow
6BA7SR24	24	15	29	630	180°	Red
6BA7SG24	24	15	73	565	180°	Green
6BA7SY24	24	15	51	585	180°	Yellow
6BA7SR28	28	15	29	630	180°	Red
6BA7SG28	28	15	73	565	180°	Green
6BA7SY28	28	15	51	585	180°	Yellow
6BA7SR48	48	10	24	630	180°	Red
6BA7SG48	48	10	60	565	180°	Green
6BA7SY48	48	10	42	585	180°	Yellow

TYPE R9 TUBULAR SHORT 10 x 21mm CAP. Ba9s (MCC) 8 CHIPS - AC / DC



Order Code	Volts ±5°	mA AC/DC	mcd AC/DC	Peak Wave Length nm	Viewing Angle	Colour
8B1020R12	12	32	104	630	120°	Red
8B1020G12	12	32	156	565	120°	Green
8B1020Y12	12	32	110.5	585	120°	Yellow
8B1020R24	24	16	104	630	120°	Red
8B1020G24	24	16	156	565	120°	Green
8B1020Y24	24	16	110.5	585	120°	Yellow
8B1020R28	28	16	104	630	120°	Red
8B1020G28	28	16	156	565	120°	Green
8B1020Y28	28	16	110.5	585	120°	Yellow
8B1020R48	48	16	104	630	120°	Red
8B1020G48	48	16	156	565	120°	Green
8B1020Y48	48	16	110.5	585	120°	Yellow
8B1020R60	60	12	52	630	120°	Red
8B1020G60	60	12	97.5	565	120°	Green
8B1020Y60	60	12	52	585	120°	Yellow

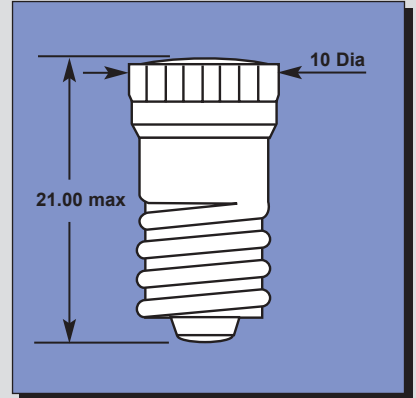
TYPE R9 TUBULAR SHORT HIGH VOLTAGE 10 x 21mm CAP. Ba9s (MCC) 8 CHIPS - AC



Order Code	AC Volts ±5°	mA AC	mcd AC	Peak Wave Length nm	Viewing Angle	Colour
8B1020R130	130	7.5	385	630	120°	Red
8B1020G130	130	7.7	200	565	120°	Green
8B1020Y130	130	7.5	350	585	120°	Yellow
8B1020B130	130	7.7	50	585	120°	Blue
8B1020R230	230	6.4	315	630	120°	Red
8B1020G230	230	6.5	185	565	120°	Green
8B1020Y230	230	6.4	260	585	120°	Yellow
8B1020B230	230	6.5	45	585	120°	Blue

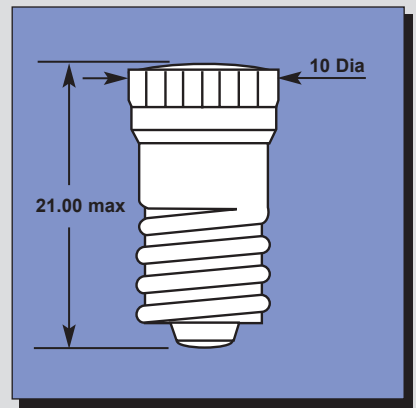
TYPE R9 TUBULAR SHORT 10 x 21mm CAP. E10 (MES) 8 CHIPS - AC/DC

Order Code	Volts ±5°	mA AC/DC	mcd AC/DC	Peak Wave Length nm	Viewing Angle	Colour
8E1020R12	12	32	105	630	120°	Red
8E1020G12	12	32	155	565	120°	Green
8E1020Y12	12	32	110	585	120°	Yellow
8E1020R24	24	16	105	630	120°	Red
8E1020G24	24	16	155	565	120°	Green
8E1020Y24	24	16	110	585	120°	Yellow
8E1020R48	48	16	105	630	120°	Red
8E1020G48	48	16	155	565	120°	Green
8E1020Y48	48	16	110	585	120°	Yellow



TYPE R9 TUBULAR SHORT HIGH VOLTAGE 10 x 21mm CAP. E10 (MES) 8 CHIPS - AC

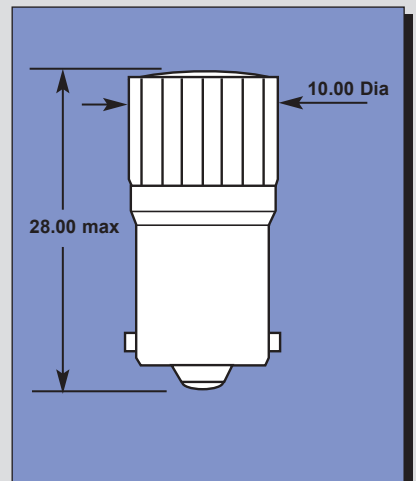
Order Code	AC Volts ±5°	mA AC	mcd AC	Peak Wave Length nm	Viewing Angle	Colour
8E1020R130	130	7.5	385		120°	Red
8E1020G130	130	7.7	200		120°	Green
8E1020Y130	130	7.5	350		120°	Yellow
8E1020B130	130	7.7	50		120°	Blue
8E1020R230	230	6.4	315		120°	Red
8E1020G230	230	6.5	185		120°	Green
8E1020Y230	230	6.4	260		120°	Yellow
8E1020B230	230	6.5	45		120°	Blue



TYPE R10 TUBULAR STANDARD 10 x 28 CAP. Ba9s (MCC) 8 CHIPS - AC/DC

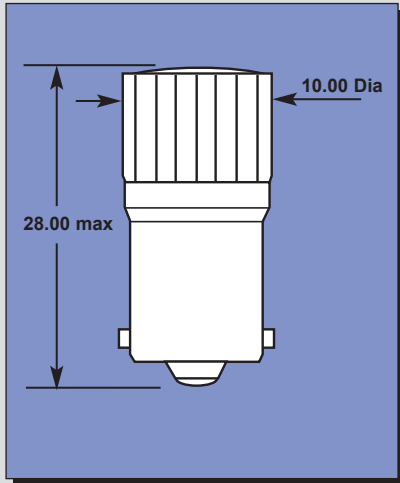
Order Code	Volts ±5°	mA AC/DC	mcd AC/DC	Peak Wave Length nm	Viewing Angle	Colour
8B1027R12	12	40	125	630	120°	Red
8B1027G12	12	40	190	565	120°	Green
8B1027Y12	12	40	140	585	120°	Yellow
8B1027R24	24	19	125	630	120°	Red
8B1027G24	24	19	190	565	120°	Green
8B1027Y24	24	19	140	585	120°	Yellow
8B1027R28	28	19	125	630	120°	Red
8B1027G28	28	19	190	565	120°	Green
8B1027Y28	28	19	140	585	120°	Yellow
8B1027R36	36	16	105	630	120°	Red
8B1027G36	36	16	155	565	120°	Green
8B1027Y36	36	16	110	585	120°	Yellow

Continued on next page



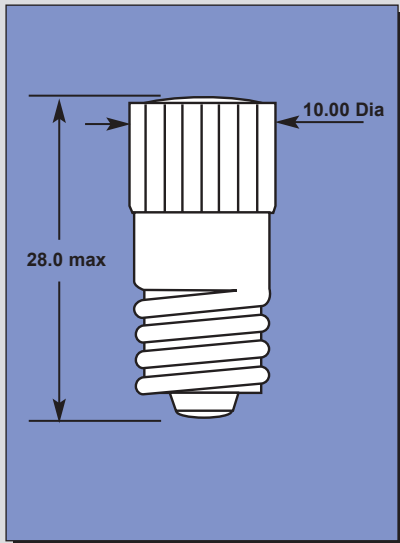
MULTI CHIP LIGHT EMITTING DIODES

TYPE R10 TUBULAR STANDARD 10 x 28 CAP. Ba9s (MCC) 8 CHIPS - AC/DC



Order Code	Volts ±5°	mA AC/DC	mcd AC/DC	Peak Wave Length nm	Viewing Angle	Colour
8B1027R48	48	16	105	630	120°	Red
8B1027G48	48	16	155	565	120°	Green
8B1027Y48	48	16	110	585	120°	Yellow
8B1027R60	60	9	50	630	120°	Red
8B1027G60	60	9	100	565	120°	Green
8B1027Y60	60	9	50	585	120°	Yellow
8B1028R130	130AC/DC	9.3	100	630	120°	Red
8B1028G130	130AC/DC	9.3	32	565	120°	Green
8B1028Y130	130AC/DC	9.3	80	585	120°	Yellow
8B1028B130	130AC/DC	9.3	12	468	120°	Blue
8B1028W130	130AC/DC	9.3			120°	White
8B1028R230	230AC	5.5	315	630	120°	Red
8B1028G230	230AC	5.5	185	565	120°	Green
8B1028Y230	230AC	5.5	260	585	120°	Yellow
8B1028B230	230AC	5.5	45	468	120°	Blue
8B1028W230	230AC	5.5			120°	White

TYPE R10 TUBULAR STANDARD 10 x 28mm CAP. E10 (MES) 8 CHIPS - AC/DC

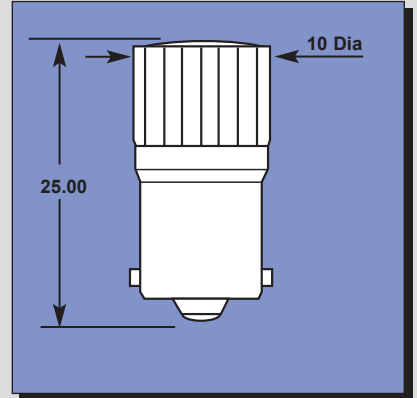


Order Code	Volts ±5°	mA AC/DC	mcd AC/DC	Peak Wave Length nm	Viewing Angle	Colour
8E1027R6	6 (AC)	15	180	640	120°	Red
8E1027G6	6 (AC)	15	150	523	120°	Green
8E1027Y6	6 (AC)	15	165	590	120°	Yellow
8E1027R12	12	38/25	110/105	630	120°	Red
8E1027G12	12	36/23	170/160	565	120°	Green
8E1027Y12	12	38/25	120/110	585	120°	Yellow
8E1027R24	24	19/15	110/105	630	120°	Red
8E1027G24	24	17/13	170/160	565	120°	Green
8E1027Y24	24	20/15	120/110	585	120°	Yellow
8E1027R28	28	17/15	110/105	630	120°	Red
8E1027G28	28	17/13	170/160	565	120°	Green
8E1027Y28	28	18/15	120/110	585	120°	Yellow
8E1027R48	48	13/12	70/70	630	120°	Red
8E1027G48	48	13/12	125/125	565	120°	Green
8E1027Y48	48	13/12	80/80	585	120°	Yellow
8E1027R60	60	10/10	50/50	630	120°	Red
8E1027G60	60	9/9	100/100	565	120°	Green
8E1027Y60	60	9/9	50/50	585	120°	Yellow
8E1028R130	130AC/DC	2.6	100	630	120°	Red
8E1028G130	130AC/DC	2.4	32	565	120°	Green
8E1028Y130	130AC/DC	2.6	80	585	120°	Yellow
8E1028B130	130AC/DC	2.4	12		120°	Blue
8E1028R230	230AC	6.4	315	630	120°	Red
8E1028G230	230AC	6.5	185	565	120°	Green
8E1028Y230	230AC	6.4	260	585	120°	Yellow
8E1028B230	230AC	6.5	45		120°	Blue

MULTI CHIP LIGHT EMITTING DIODES

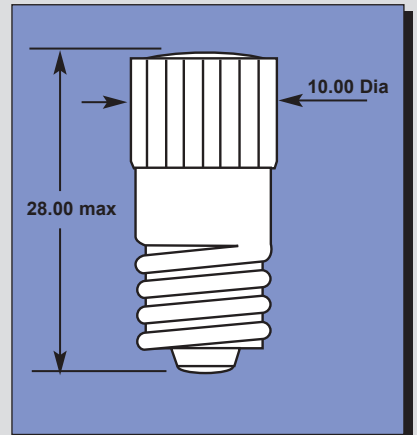
FLASHING LED RED 10 x 25 CAP. Ba9s (MCC) DC

Order Code	Volts $\pm 5^\circ$	mA	mcd	Peak Wave Length nm	Viewing Angle	Colour
9B1025FLR12	12	30				Red
9B1025FLR24	24	30				Red



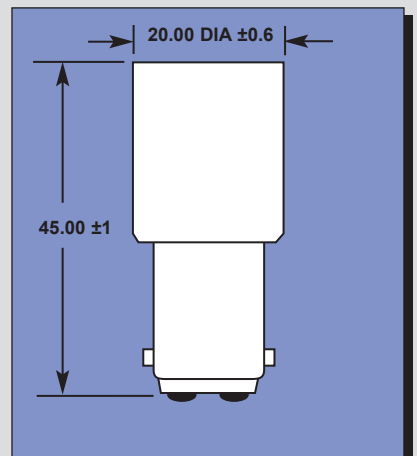
E12 6 CHIPS - 12 x 26mm - DC R13

Order Code	Volts $\pm 5^\circ$	mA DC	mcd DC	Peak Wave Length nm	Viewing Angle	Colour
6E12R12	12	30	29	630	120°	Red
6E12G12	12	30	73	565	120°	Green
6E12Y12	12	30	51	585	120°	Yellow
6E12R24	24	16	30	630	120°	Red
6E12G24	24	16	75	565	120°	Green
6E12Y24	24	16	53	585	120°	Yellow
6E12R28	28	14	28	630	120°	Red
6E12G28	28	14	71	565	120°	Green
6E12Y28	28	14	49	585	120°	Yellow
6E12R48	48	10	24	630	120°	Red
6E12G48	48	10	60	565	120°	Green
6E12Y48	48	10	42	585	120°	Yellow



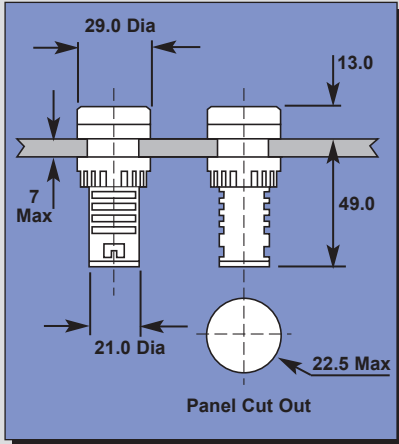
LED TOWER LIGHT 20x 46mm CAP. Ba15d (SBC) AC/DC

Order Code	Volts $\pm 5^\circ$	mA AC/DC	mcd AC/DC	Peak Wave Length nm	Viewing Angle	Colour
15B2046R24	24	15	9 x 350	630	120°	Red
15B2046G24	24	45	9 x 1000	565	120°	Green
15B2046Y24	24	15	9 x 300	585	120°	Yellow
15B2046B24	24	45	9 x 400		120°	Blue
15B2046W24	24	45	9 x 750		120°	White
15B2046R130	130AC	8	9 x 200	630	120°	Red
15B2046G130	130AC	8	9 x 525	565	120°	Green
15B2046Y130	130AC	8	9 x 160	585	120°	Yellow
15B2046B130	130AC	8	9 x 210		120°	Blue
15B2046W130	130AC	8	9 x 400		120°	White
15B2046R230	230AC	4	9 x 100	630	120°	Red
15B2046G230	230AC	4	9 x 270	565	120°	Green
15B2046Y230	230AC	4	9 x 80	585	120°	Yellow
15B2046B230	230AC	4	9 x 100		120°	Blue
15B2046W230	230AC	4	9 x 200		120°	White



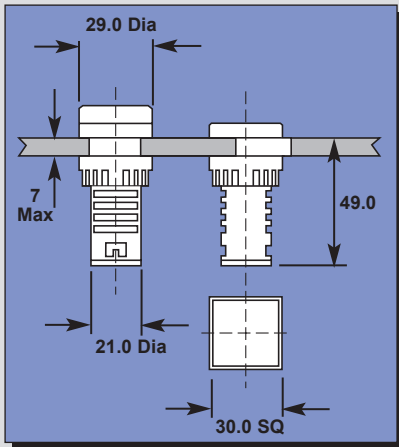
MULTI CHIP LIGHT EMITTING DIODES

MULTI CHIP LED PILOT LIGHT (ROUND) 29 x 62mm - AC/DC



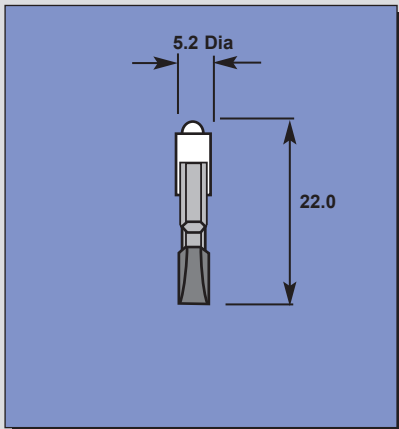
Order Code	Volts ±5°	mA AC/DC	mcd AC/DC	Peak Wave Length nm	Viewing Angle	Colour
PLRD22R24	24DC	16			120°	Red
PLRD22G24	24DC	16			120°	Green
PLRD22Y24	24DC	16			120°	Yellow
PLRD22B24	24DC	16			120°	Blue
PLRD22W24	24DC	16			120°	White
PLRD22R110	110DC	7.5			120°	Red
PLRD22G110	110DC	7.5			120°	Green
PLRD22Y110	110DC	7.5			120°	Yellow
PLRD22B110	110DC	7.5			120°	Blue
PLRD22W110	110DC	7.5			120°	White
PLRD22R220	220AC	6.4			120°	Red
PLRD22G220	220AC	6.4			120°	Green
PLRD22Y220	220AC	6.4			120°	Yellow
PLRD22B220	220AC	6.4			120°	Blue
PLRD22W220	220AC	6.4			120°	White

MULTI CHIP LED PILOT LIGHT (SQUARE) 29 x 62mm - AC/DC



Order Code	Volts ±5°	mA AC/DC	mcd AC/DC	Peak Wave Length nm	Viewing Angle	Colour
PLSQ22R24	24DC	16			120°	Red
PLSQ22G24	24DC	16			120°	Green
PLSQ22Y24	24DC	16			120°	Yellow
PLSQ22B24	24DC	16			120°	Blue
PLSQ22W24	24DC	16			120°	White
PLSQ22R110	110DC	7.5			120°	Red
PLSQ22G110	110DC	7.5			120°	Green
PLSQ22Y110	110DC	7.5			120°	Yellow
PLSQ22B110	110DC	7.5			120°	Blue
PLSQ22W110	110DC	7.5			120°	White
PLSQ22R220	220AC	6.4			120°	Red
PLSQ22G220	220AC	6.4			120°	Green
PLSQ22Y220	220AC	6.4			120°	Yellow
PLSQ22B220	220AC	6.4			120°	Blue
PLSQ22W220	220AC	6.4			120°	White

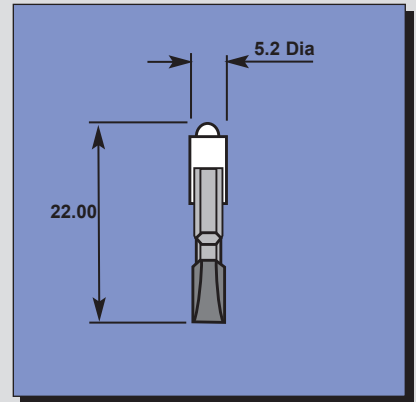
LAMPS SINGLE CHIP - LED SHORT LILLIPUT 5.2 x 22mm CAP. T5.5K DC



Order Code	Volts DC -20°+50°	mA DC	mcd DC	Peak Wave Length nm	Viewing Angle	Colour
SCT55KR6	6	55	600	640	50°	Red
SCT55KG6	6	55	3500	520	45°	Green
SCT55KY6	6	55	450	595	50°	Yellow
SCT55KB6	6	55	1200	463	45°	Blue
SCT55KW6	6	55	2200	440/550	60°	White
SCT55KR12	12	30	550	640	50°	Red
SCT55KG12	12	30	2500	520	45°	Green
SCT55KY12	12	30	400	595	50°	Yellow
SCT55KB12	12	30	750	463	45°	Blue
SCT55KW12	12	30	1900	440/550	60°	White
SCT55KR28	24-28	14	400	640	50°	Red
SCT55KG28	24-28	14	1150	520	45°	Green
SCT55KY28	24-28	14	350	595	50°	Yellow
SCT55KB28	24-28	14	450	463	45°	Blue
SCT55KW28	24-28	14	850	440/550	60°	White

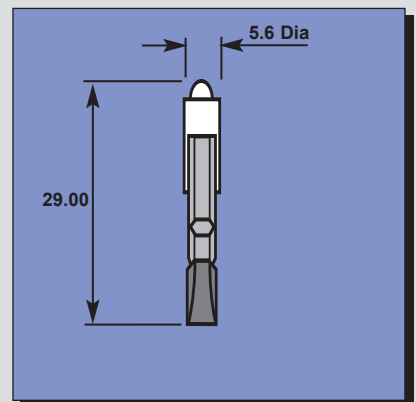
LAMPS SINGLE CHIP - LED SHORT LILLIPUT 5.2 x 22mm CAP. T5.5K AC/DC

Order Code	Volts AC/DC -20°+50°	mA AC/DC	mcd AC/DC	Peak Wave Length nm	Viewing Angle	Colour
SCT55KR6AC/DC	6	55	450	640	50°	Red
SCT55KG6AC/DC	6	55	2630	520	45°	Green
SCT55KY6AC/DC	6	55	340	595	50°	Yellow
SCT55KB6AC/DC	6	55	900	463	45°	Blue
SCT55KW6AC/DC	6	55	1650	440/550	60°	White
SCT55KR12AC/DC	12	30	420	640	50°	Red
SCT55KG12AC/DC	12	30	1880	520	45°	Green
SCT55KY12AC/DC	12	30	300	595	50°	Yellow
SCT55KB12AC/DC	12	30	565	463	45°	Blue
SCT55KW12AC/DC	12	30	1425	440/550	60°	White
SCT55KR28AC/DC	24-28	14	300	640	50°	Red
SCT55KG28AC/DC	24-28	14	865	520	45°	Green
SCT55KY28AC/DC	24-28	14	265	595	50°	Yellow
SCT55KB28AC/DC	24-28	14	340	463	45°	Blue
SCT55KW28AC/DC	24-28	14	640	440/550	60°	White



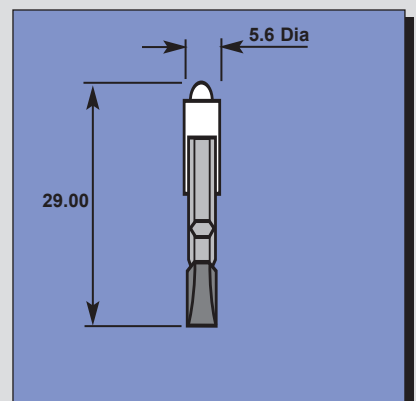
LAMPS SINGLE CHIP - LED LILLIPUT MINIATURE 5.6 x 29mm CAP. T5.5 DC

Order Code	Volts DC -20°+50°	mA DC	mcd DC	Peak Wave Length nm	Viewing Angle	Colour
SCT55R6DC	6	55	600	640	50°	Red
SCT55G6DC	6	55	3500	520	45°	Green
SCT55Y6DC	6	55	450	595	50°	Yellow
SCT55B6DC	6	55	1200	463	45°	Blue
SCT55W6DC	6	55	2200	440/550	60°	White
SCT55R12DC	12	30	550	640	50°	Red
SCT55G12DC	12	30	2500	520	45°	Green
SCT55Y12DC	12	30	400	595	50°	Yellow
SCT55B12DC	12	30	750	463	45°	Blue
SCT55W12DC	12	30	1900	440/550	60°	White
SCT55R28DC	24-28	14	400	640	50°	Red
SCT55G28DC	24-28	14	1150	520	45°	Green
SCT55Y28DC	24-28	14	350	595	50°	Yellow
SCT55B28DC	24-28	14	450	463	45°	Blue
SCT55W28DC	24-28	14	850	440/550	60°	White



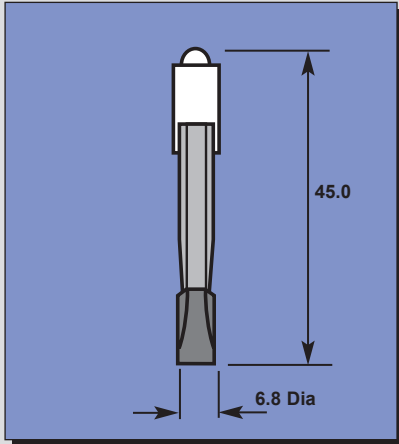
LAMPS SINGLE CHIP - LED LILLIPUT MINIATURE 5.6 x 29mm CAP. T5.5 AC/DC

Order Code	Volts ±5°	mA AC/DC	mcd AC/DC	Peak Wave Length nm	Viewing Angle	Colour
SCT55R6AC/DC	6	55	450	640	50°	Red
SCT55G6AC/DC	6	55	2630	520	45°	Green
SCT55Y6AC/DC	6	55	340	595	50°	Yellow
SCT55B6AC/DC	6	55	900	463	45°	Blue
SCT55W6AC/DC	6	55	1650	440/550	60°	White
SCT55R12AC/DC	12	30	420	640	50°	Red
SCT55G12AC/DC	12	30	1880	520	45°	Green
SCT55Y12AC/DC	12	30	300	595	50°	Yellow
SCT55B12AC/DC	12	30	565	463	45°	Blue
SCT55W12AC/DC	12	30	1425	440/550	60°	White
SCT55R28AC/DC	24-28	14	300	640	50°	Red
SCT55G28AC/DC	24-28	14	865	520	45°	Green
SCT55Y28AC/DC	24-28	14	265	595	50°	Yellow
SCT55B28AC/DC	24-28	14	340	463	45°	Blue
SCT55W28AC/DC	24-28	14	640	440/550	60°	White



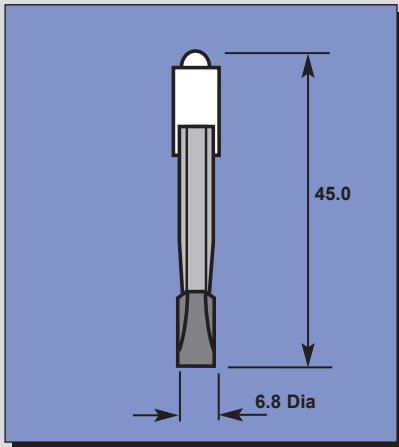
SINGLE CHIP LIGHT EMITTING DIODES

LAMPS SINGLE CHIP - LED STANDARD TELEPHONE GERMAN TYPE 6.8 x 45mm CAP. T6.8 DC



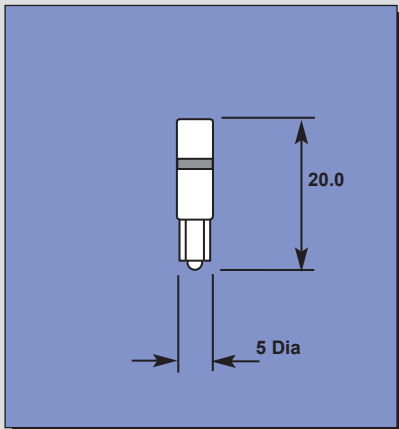
Order Code	Volts -20°+50°	mA DC	mcd DC	Peak Wave Length nm	Viewing Angle	Colour
SCT68R6DC	6	50	600	640	50°	Red
SCT68G6DC	6	50	3500	520	45°	Green
SCT68Y6DC	6	50	450	595	50°	Yellow
SCT68B6DC	6	50	1200	463	45°	Blue
SCT68W6DC	6	50	2200	440/550	60°	White
SCT68R12DC	12	30	550	640	50°	Red
SCT68G12DC	12	30	2500	520	45°	Green
SCT68Y12DC	12	30	400	595	50°	Yellow
SCT68B12DC	12	30	750	463	45°	Blue
SCT68W12DC	12	30	1900	440/550	60°	White
SCT68R28DC	24-28	14	400	640	50°	Red
SCT68G28DC	24-28	14	1150	520	45°	Green
SCT68Y28DC	24-28	14	350	595	50°	Yellow
SCT68B28DC	24-28	14	450	463	45°	Blue
SCT68W28DC	24-28	14	850	440/550	60°	White

LAMPS SINGLE CHIP - LED STANDARD TELEPHONE GERMAN TYPE 6.8 x 45mm CAP. T6.8 AC/DC



Order Code	Volts -20°+50°	mA AC/DC	mcd AC/DC	Peak Wave Length nm	Viewing Angle	Colour
SCT68R6AC/DC	6	55	450	640	50°	Red
SCT68G6AC/DC	6	55	2630	520	45°	Green
SCT68Y6AC/DC	6	55	340	595	50°	Yellow
SCT68B6AC/DC	6	55	900	463	45°	Blue
SCT68W6AC/DC	6	55	1650	440/550	60°	White
SCT68R12AC/DC	12	30	420	640	50°	Red
SCT68G12AC/DC	12	30	1880	520	45°	Green
SCT68Y12AC/DC	12	30	300	595	50°	Yellow
SCT68B12AC/DC	12	30	565	463	45°	Blue
SCT68W12AC/DC	12	30	1425	440/550	60°	White
SCT68R28AC/DC	24-28	14	300	640	50°	Red
SCT68G28AC/DC	24-28	14	865	520	45°	Green
SCT68Y28AC/DC	24-28	14	265	595	50°	Yellow
SCT68B28AC/DC	24-28	14	340	463	45°	Blue
SCT68W28AC/DC	24-28	14	640	440/550	60°	White

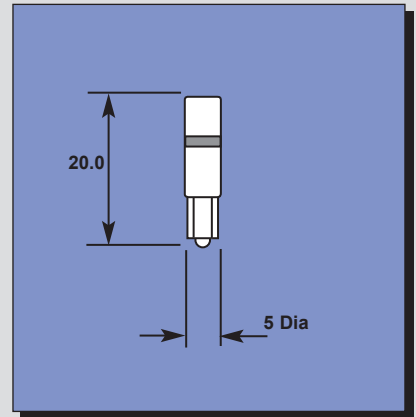
LAMPS SINGLE CHIP - LED T1³/₄ WEDGE BASE 5 x 20mm CAP. W2 x 4.6d DC



Order Code	Volts DC -20°+50°	mA DC	mcd DC	Peak Wave Length nm	Viewing Angle	Colour
SCWBR6DC	6	55	600	640	50°	Red
SCWBG6DC	6	55	3500	520	45°	Green
SCWBY6DC	6	55	450	595	50°	Yellow
SCWBB6DC	6	55	1200	463	45°	Blue
SCWBW6DC	6	55	2200	440/550	60°	White
SCWBR12DC	12	30	550	640	50°	Red
SCWBG12DC	12	30	2500	520	45°	Green
SCWBY12DC	12	30	400	595	50°	Yellow
SCWBB12DC	12	30	750	463	45°	Blue
SCWBW12DC	12	30	1900	440/550	60°	White
SCWBR28DC	24-28	14	400	640	50°	Red
SCWBG28DC	24-28	14	1150	520	45°	Green
SCWBY28DC	24-28	14	350	595	50°	Yellow
SCWBB28DC	24-28	14	450	463	45°	Blue
SCWBW28DC	24-28	14	850	440/550	60°	White

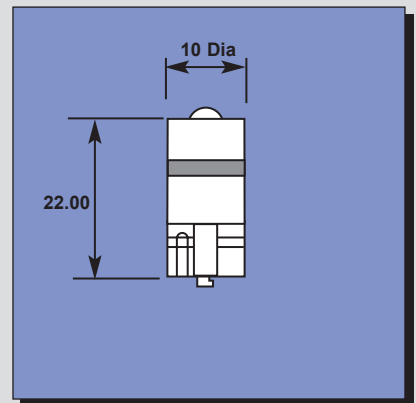
LAMPS SINGLE CHIP - LED T1³/₄ WEDGE BASE 5 x 20mm CAP. W2 x 4.6d AC/DC

Order Code	Volts AC/DC -20°+50°	mA AC/DC	mcd AC/DC	Peak Wave Length nm	Viewing Angle	Colour
SCWBR6AC/DC	6	50	450	640	50°	Red
SCWBG6AC/DC	6	50	2630	520	45°	Green
SCWBY6AC/DC	6	50	340	595	50°	Yellow
SCWBB6AC/DC	6	50	900	463	45°	Blue
SCWBW6AC/DC	6	50	1650	440/550	60°	White
SCWBR12AC/DC	12	30	420	640	50°	Red
SCWBG12AC/DC	12	30	1880	520	45°	Green
SCWBY12AC/DC	12	30	300	595	50°	Yellow
SCWBB12AC/DC	12	30	565	463	45°	Blue
SCWBW12AC/DC	12	30	1425	440/550	60°	White
SCWBR28AC/DC	24-28	14	300	640	50°	Red
SCWBG28AC/DC	24-28	14	855	520	45°	Green
SCWBY28AC/DC	24-28	14	265	595	50°	Yellow
SCWBB28AC/DC	24-28	14	340	463	45°	Blue
SCWBW28AC/DC	24-28	14	640	440/550	60°	White



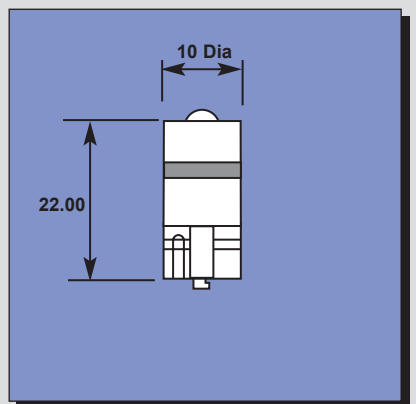
LAMPS SINGLE CHIP - LED T3³/₄ WEDGE BASE 10 x 22mm CAP. W2.1 x 9.5d DC

Order Code	Volts DC -20°+50°	mA DC	mcd DC	Peak Wave Length nm	Viewing Angle	Colour
SCLWBR6DC	6	55	7000	660	30°	Red
SCLWBG6DC	6	55	4200	520	45°	Green
SCLWBY6DC	6	55	700	595	30°	Yellow
SCLWBB6DC	6	55	1400	463	45°	Blue
SCLWBW6DC	6	55	3120	440/550	50°	White
SCLWBR12DC	12	30	5200	640	30°	Red
SCLWBG12DC	12	30	3000	520	45°	Green
SCLWBY12DC	12	30	550	595	30°	Yellow
SCLWBB12DC	12	30	875	463	45°	Blue
SCLWBW12DC	12	30	1950	440/550	50°	White
SCLWBR28DC	24-28	14	2600	640	30°	Red
SCLWBG28DC	24-28	14	2160	520	45°	Green
SCLWBY28DC	24-28	14	350	595	30°	Yellow
SCLWBB28DC	24-28	14	630	463	45°	Blue
SCLWBW28DC	24-28	14	1020	440/550	50°	White



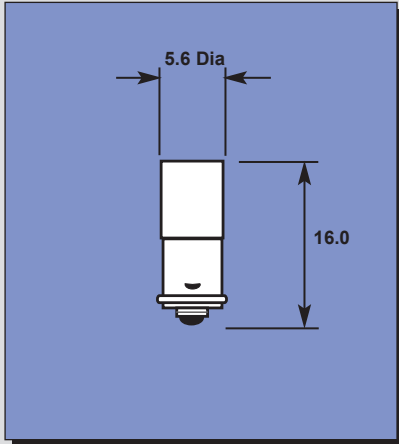
LAMPS SINGLE CHIP - LED T3³/₄ WEDGE BASE 10 x 22mm CAP. W2.1 x 9.5d AC/DC

Order Code	Volts AC/DC -20°+50°	mA AC/DC	mcd AC/DC	Peak Wave Length nm	Viewing Angle	Colour
SCLWBR6AC/DC	6	55	5250	660	50°	Red
SCLWBG6AC/DC	6	55	3150	520	45°	Green
SCLWBY6AC/DC	6	55	525	595	50°	Yellow
SCLWBB6AC/DC	6	55	1050	463	45°	Blue
SCLWBW6AC/DC	6	55	2340	440/550	50°	White
SCLWBR12AC/DC	12	30	3900	640	50°	Red
SCLWBG12AC/DC	12	30	2250	520	45°	Green
SCLWBY12AC/DC	12	30	412	595	50°	Yellow
SCLWBB12AC/DC	12	30	656	463	45°	Blue
SCLWBW12AC/DC	12	30	1462	440/550	50°	White
SCLWBR28AC/DC	24-28	14	1950	640	50°	Red
SCLWBG28AC/DC	24-28	14	1620	520	45°	Green
SCLWBY28AC/DC	24-28	14	262	595	50°	Yellow
SCLWBB28AC/DC	24-28	14	472	463	45°	Blue
SCLWBW28AC/DC	24-28	14	765	440/550	50°	White



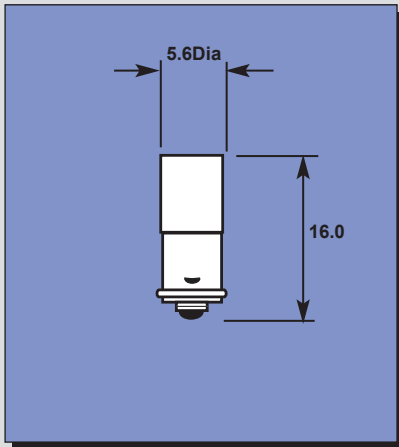
SINGLE CHIP LIGHT EMITTING DIODES

LAMPS SINGLE CHIP - LED T1³/₄ MIDGET FLANGE 5.6 x 16mm CAP. 6s/8 DC



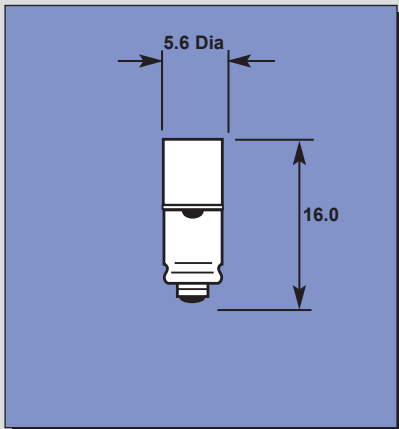
Order Code	Volts DC -20°+50°	mA DC	mcd DC	Peak Wave Length nm	Viewing Angle	Colour
SCMFR6DC	6	50	600	640	50°	Red
SCMFG6DC	6	50	3500	520	45°	Green
SCMFY6DC	6	50	450	595	50°	Yellow
SCMFB6DC	6	50	1200	463	45°	Blue
SCMFW6DC	6	50	2200	440/550	60°	White
SCMFR12DC	12	30	550	640	50°	Red
SCMFG12DC	12	30	2500	520	45°	Green
SCMFY12DC	12	30	400	595	50°	Yellow
SCMFB12DC	12	30	750	463	45°	Blue
SCMFW12DC	12	30	1900	440/550	60°	White
SCMFR28DC	24-28	14	400	640	50°	Red
SCMFG28DC	24-28	14	1150	520	45°	Green
SCMFY28DC	24-28	14	350	595	50°	Yellow
SCMFB28DC	24-28	14	450	463	45°	Blue
SCMFW28DC	24-28	14	850	440/550	60°	White

LAMPS SINGLE CHIP - LED T1³/₄ MIDGET FLANGE 5.6 x 16mm CAP. 6s/8 AC/DC



Order Code	Volts -20°+50°	mA AC/DC	mcd AC/DC	Peak Wave Length nm	Viewing Angle	Colour
SCMFR6AC/DC	6	55	450	640	50°	Red
SCMFG6AC/DC	6	55	2630	520	45°	Green
SCMFY6AC/DC	6	55	340	595	50°	Yellow
SCMFB6AC/DC	6	55	900	463	45°	Blue
SCMFW6AC/DC	6	55	1650	440/550	60°	White
SCMFR12AC/DC	12	30	420	640	50°	Red
SCMFG12AC/DC	12	30	1880	520	45°	Green
SCMFY12AC/DC	12	30	300	595	50°	Yellow
SCMFB12AC/DC	12	30	565	463	45°	Blue
SCMFW12AC/DC	12	30	1425	440/550	60°	White
SCMFR28AC/DC	24-28	14	300	640	50°	Red
SCMFG28AC/DC	24-28	14	865	520	45°	Green
SCMFY28AC/DC	24-28	14	265	595	50°	Yellow
SCMFB28AC/DC	24-28	14	340	463	45°	Blue
SCMFW28AC/DC	24-28	14	640	440/550	60°	White

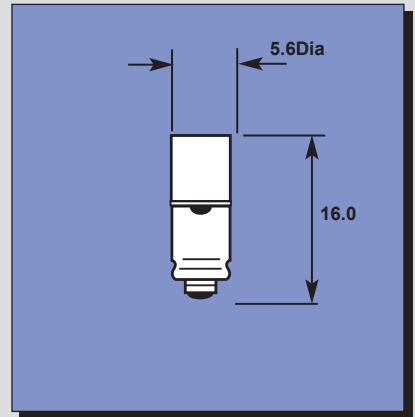
LAMPS SINGLE CHIP - LED T1³/₄ MIDGET GROOVE 5.6 x 16mm CAP. S5.7s DC



Order Code	Volts DC -20°+50°	mA DC	mcd DC	Peak Wave Length nm	Viewing Angle	Colour
SCMGR6DC	6	55	600	640	50°	Red
SCMGG6DC	6	55	3500	520	45°	Green
SCMGY6DC	6	55	450	595	50°	Yellow
SCMGB6DC	6	55	1200	463	45°	Blue
SCMGW6DC	6	55	2200	440/550	60°	White
SCMGR12DC	12	30	550	640	50°	Red
SCMGG12DC	12	30	2500	520	45°	Green
SCMGY12DC	12	30	400	595	50°	Yellow
SCMGB12DC	12	30	750	463	45°	Blue
SCMGW12DC	12	30	1900	440/550	60°	White
SCMGR28DC	24-28	14	400	640	50°	Red
SCMGG28DC	24-28	14	1150	520	45°	Green
SCMGY28DC	24-28	14	350	595	50°	Yellow
SCMGB28DC	24-28	14	450	463	45°	Blue
SCMGW28DC	24-28	14	850	440/550	60°	White

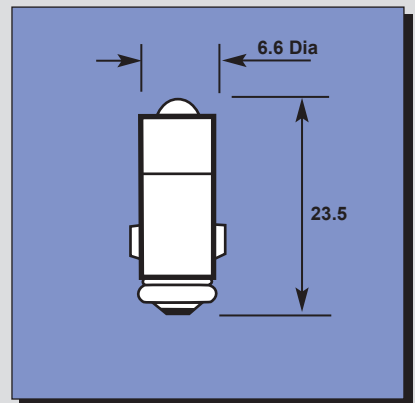
LAMPS SINGLE CHIP - LED T1³/₄ MIDGET GROOVE 5.6 x 16mm CAP. S5.7s AC/DC

Order Code	Volts AC/DC -20°+50°	mA AC/DC	mcd AC/DC	Peak Wave Length nm	Viewing Angle	Colour
SCMGR6AC/DC	6	55	450	640	50°	Red
SCMGG6AC/DC	6	55	2630	520	45°	Green
SCMGY6AC/DC	6	55	340	595	50°	Yellow
SCMGB6AC/DC	6	55	900	463	45°	Blue
SCMGW6AC/DC	6	55	1650	440/550	60°	White
SCMGR12AC/DC	12	30	420	640	50°	Red
SCMGG12AC/DC	12	30	1880	520	45°	Green
SCMGY12AC/DC	12	30	300	595	50°	Yellow
SCMGB12AC/DC	12	30	565	463	45°	Blue
SCMGW12AC/DC	12	30	1425	440/550	60°	White
SCMGR28AC/DC	24-28	14	300	640	50°	Red
SCMGG28AC/DC	24-28	14	865	520	45°	Green
SCMGY28AC/DC	24-28	14	265	595	50°	Yellow
SCMGB28AC/DC	24-28	14	340	463	45°	Blue
SCMGW28AC/DC	24-28	14	640	440/550	60°	White



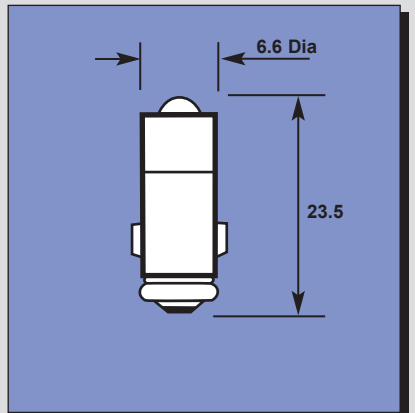
LAMPS SINGLE CHIP - LED TYPE 7123 6.6 x 23.5mm CAP. Ba7s DC

Order Code	Volts DC -20°+50°	mA DC	mcd DC	Peak Wave Length nm	Viewing Angle	Colour
SCBA7R6DC	6	55	600	640	50°	Red
SCBA7G6DC	6	55	3500	520	45°	Green
SCBA7Y6DC	6	55	450	595	50°	Yellow
SCBA7B6DC	6	55	1200	463	45°	Blue
SCBA7W6DC	6	55	2200	440/550	60°	White
SCBA7R12DC	12	30	550	640	50°	Red
SCBA7G12DC	12	30	2500	520	45°	Green
SCBA7Y12DC	12	30	400	595	50°	Yellow
SCBA7B12DC	12	30	750	463	45°	Blue
SCBA7W12DC	12	30	1900	440/550	60°	White
SCBA7R28DC	24-28	14	400	640	50°	Red
SCBA7G28DC	24-28	14	1150	520	45°	Green
SCBA7Y28DC	24-28	14	350	595	50°	Yellow
SCBA7B28DC	24-28	14	450	463	45°	Blue
SCBA7W28DC	24-28	14	850	440/550	60°	White



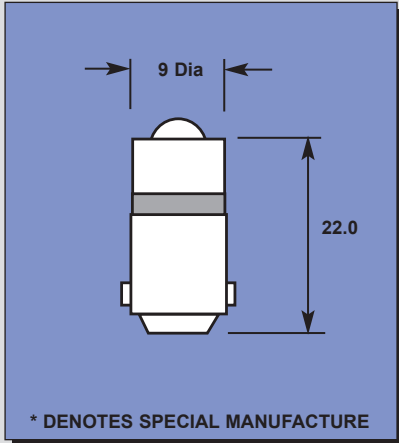
LAMPS SINGLE CHIP - LED TYPE 7123 6.6 x 23.5mm CAP. Ba7s AC/DC

Order Code	Volts AC/DC -20°+50°	mA AC/DC	mcd AC/DC	Peak Wave Length nm	Viewing Angle	Colour
SCBA7R6AC/DC	6	55	450	640	50°	Red
SCBA7G6AC/DC	6	55	2630	520	45°	Green
SCBA7Y6AC/DC	6	55	340	595	50°	Yellow
SCBA7B6AC/DC	6	55	900	463	45°	Blue
SCBA7W6AC/DC	6	55	1650	440/550	60°	White
SCBA7R12AC/DC	12	30	420	640	50°	Red
SCBA7G12AC/DC	12	30	1880	520	45°	Green
SCBA7Y12AC/DC	12	30	300	595	50°	Yellow
SCBA7B12AC/DC	12	30	565	463	45°	Blue
SCBA7W12AC/DC	12	30	1425	440/550	60°	White
SCBA7R28AC/DC	24-28	14	300	640	50°	Red
SCBA7G28AC/DC	24-28	14	865	520	45°	Green
SCBA7Y28AC/DC	24-28	14	265	595	50°	Yellow
SCBA7B28AC/DC	24-28	14	340	463	45°	Blue
SCBA7W28AC/DC	24-28	14	640	440/550	60°	White



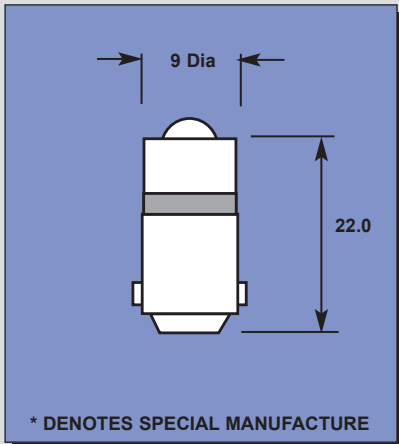
SINGLE CHIP LIGHT EMITTING DIODES

LAMPS SINGLE CHIP - LED TYPE R9 TUBULAR SHORT 9 x 22mm CAP. Ba9s DC



Order Code	Volts DC -20°+50°	mA DC	mcd DC	Peak Wave Length nm	Viewing Angle	Colour
SCB9R6DC	6	55	7000	660	30°	Red
SCB9G6DC	6	55	4200	520	45°	Green
SCB9Y6DC	6	55	700	595	30°	Yellow
SCB9B6DC	6	55	1400	463	45°	Blue
SCB9W6DC	6	55	3120	440/550	50°	White
SCB9R12DC	12	30	5200	660	30°	Red
SCB9G12DC	12	30	3000	520	45°	Green
SCB9Y12DC	12	30	550	595	30°	Yellow
SCB9B12DC	12	30	875	463	45°	Blue
SCB9W12DC	12	30	1950	440/550	50°	White
SCB9R28DC	24-28	14	2600	660	30°	Red
SCB9G28DC	24-28	14	2160	520	45°	Green
SCB9Y28DC	24-28	14	350	595	30°	Yellow
SCB9B28DC	24-28	14	630	463	45°	Blue
SCB9W28DC	24-28	14	1020	440/550	50°	White
*SCB9R130DC	110-130	6	N/A	660	30°	Red
*SCB9G130DC	110-130	6	N/A	520	45°	Green
*SCB9Y130DC	110-130	6	N/A	595	30°	Yellow
*SCB9B130DC	110-130	6	N/A	463	45°	Blue
*SCB9W130DC	110-130	6	N/A	440/550	50°	White
*SCB9R235DC	235	3	N/A	660	30°	Red
*SCB9G235DC	235	3	N/A	520	45°	Green
*SCB9Y235DC	235	3	N/A	595	30°	Yellow
*SCB9B235DC	235	3	N/A	463	45°	Blue
*SCB9W235DC	235	3	N/A	440/550	50°	White

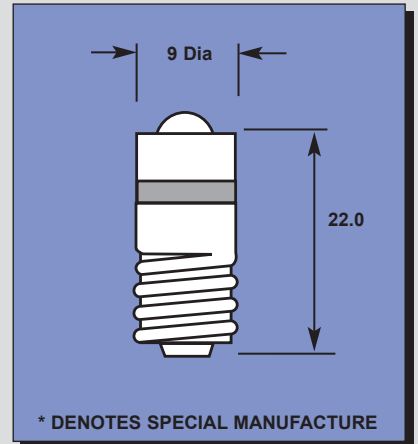
LAMPS SINGLE CHIP - LED TYPE R9 TUBULAR SHORT 9 x 22mm CAP. Ba9s AC/DC



Order Code	Volts AC/DC -20°+50°	mA AC/DC	mcd AC/DC	Peak Wave Length nm	Viewing Angle	Colour
SCB9R6AC/DC	6	55	5250	660	30°	Red
SCB9G6AC/DC	6	55	3150	520	45°	Green
SCB9Y6AC/DC	6	55	525	595	30°	Yellow
SCB9B6AC/DC	6	55	1050	463	45°	Blue
SCB9W6AC/DC	6	55	2340	440/550	50°	White
SCB9R12AC/DC	12	30	3900	660	30°	Red
SCB9G12AC/DC	12	30	2250	520	45°	Green
SCB9Y12AC/DC	12	30	412	595	30°	Yellow
SCB9B12AC/DC	12	30	656	463	45°	Blue
SCB9W12AC/DC	12	30	1462	440/550	50°	White
SCB9R28AC/DC	24-28	14	1950	660	30°	Red
SCB9G28AC/DC	24-28	14	1620	520	45°	Green
SCB9Y28AC/DC	24-28	14	262	595	30°	Yellow
SCB9B28AC/DC	24-28	14	472	463	45°	Blue
SCB9W28AC/DC	24-28	14	765	440/550	50°	White
*SCB9R130AC/DC	110-130	6	656	660	30°	Red
*SCB9G130AC/DC	110-130	6	255	520	45°	Green
*SCB9Y130AC/DC	110-130	6	75	595	30°	Yellow
*SCB9B130AC/DC	110-130	6	131	463	45°	Blue
*SCB9W130AC/DC	110-130	6	292	440/550	50°	White
*SCB9R235AC/DC	235	3	487	660	30°	Red
*SCB9G235AC/DC	235	3	150	520	45°	Green
*SCB9Y235AC/DC	235	3	45	595	30°	Yellow
*SCB9B235AC/DC	235	3	75	463	45°	Blue
*SCB9W235AC/DC	235	3	142	440/550	50°	White

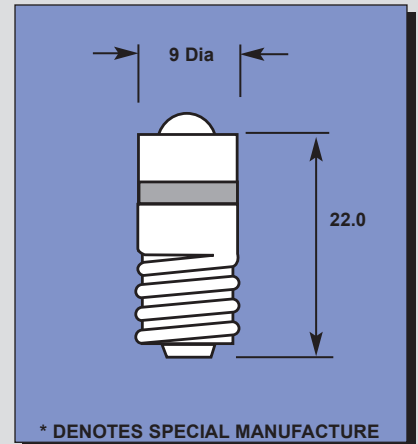
LAMPS SINGLE CHIP - LED TYPE R9 TUBULAR SHORT 9 x 22mm CAP. E10 DC

Order Code	Volts DC -20°+50°	mA DC	mcd DC	Peak Wave Length nm	Viewing Angle	Colour
SCE9R6DC	6	55	7000	660	30°	Red
SCE9G6DC	6	55	4200	520	45°	Green
SCE9Y6DC	6	55	700	595	30°	Yellow
SCE9B6DC	6	55	1400	463	45°	Blue
SCE9W6DC	6	55	3120	440/550	50°	White
SCE9R12DC	12	30	5200	660	30°	Red
SCE9G12DC	12	30	3000	520	45°	Green
SCE9Y12DC	12	30	550	595	30°	Yellow
SCE9B12DC	12	30	875	463	45°	Blue
SCE9W12DC	12	30	1950	440/550	50°	White
SCE9R28DC	24-28	14	2600	660	30°	Red
SCE9G28DC	24-28	14	2160	520	45°	Green
SCE9Y28DC	24-28	14	350	595	30°	Yellow
SCE9B28DC	24-28	14	630	463	45°	Blue
SCE9W28DC	24-28	14	390	440/550	50°	White
*SCE9R130DC	110-130	6	N/A	660	30°	Red
*SCE9G130DC	110-130	6	N/A	520	45°	Green
*SCE9Y130DC	110-130	6	N/A	595	30°	Yellow
*SCE9B130DC	110-130	6	N/A	463	45°	Blue
*SCE9W130DC	110-130	6	N/A	440/550	50°	White
*SCE9R235DC	235	3	N/A	660	30°	Red
*SCE9G235DC	235	3	N/A	520	45°	Green
*SCE9Y235DC	235	3	N/A	595	30°	Yellow
*SCE9B235DC	235	3	N/A	463	45°	Blue
*SCE9W235DC	235	3	N/A	440/550	50°	White



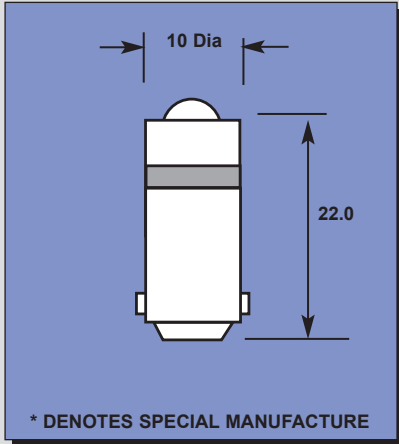
LAMPS SINGLE CHIP - LED TYPE R9 TUBULAR SHORT 9 x 22mm CAP. E10 AC/DC

Order Code	Volts AC/DC -20°+50°	mA AC/DC	mcd AC/DC	Peak Wave Length nm	Viewing Angle	Colour
SCE9R6AC/DC	6	55	5250	660	30°	Red
SCE9G6AC/DC	6	55	3150	520	45°	Green
SCE9Y6AC/DC	6	55	525	595	30°	Yellow
SCE9B6AC/DC	6	55	1050	463	45°	Blue
SCE9W6AC/DC	6	55	2340	440/550	50°	White
SCE9R12AC/DC	12	30	3900	660	30°	Red
SCE9G12AC/DC	12	30	2250	520	45°	Green
SCE9Y12AC/DC	12	30	412	595	30°	Yellow
SCE9B12AC/DC	12	30	656	463	45°	Blue
SCE9W12AC/DC	12	30	1462	440/550	50°	White
SCE9R28AC/DC	24-28	14	1950	660	30°	Red
SCE9G28AC/DC	24-28	14	1620	520	45°	Green
SCE9Y28AC/DC	24-28	14	262	595	30°	Yellow
SCE9B28AC/DC	24-28	14	472	463	45°	Blue
SCE9W28AC/DC	24-28	14	765	440/550	50°	White
*SCE9R130AC/DC	110-130	6	656	660	30°	Red
*SCE9G130AC/DC	110-130	6	255	520	45°	Green
*SCE9Y130AC/DC	110-130	6	75	595	30°	Yellow
*SCE9B130AC/DC	110-130	6	131	463	45°	Blue
*SCE9W130AC/DC	110-130	6	292	440/550	50°	White
*SCE9R235AC/DC	235	3	487	660	30°	Red
*SCE9G235AC/DC	235	3	150	520	45°	Green
*SCE9Y235AC/DC	235	3	45	595	30°	Yellow
*SCE9B235AC/DC	235	3	75	463	45°	Blue
*SCE9W235AC/DC	235	3	142	440/550	50°	White



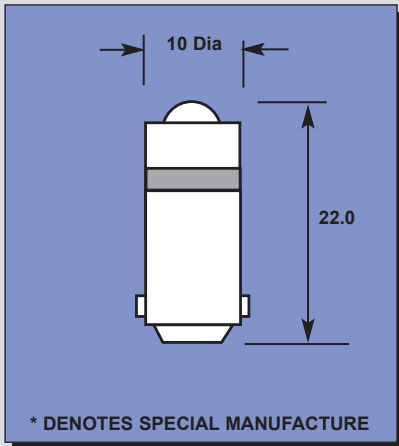
SINGLE CHIP LIGHT EMITTING DIODES

LAMPS SINGLE CHIP - LED TYPE R10 TUBULAR STANDARD 10 x 22mm CAP. Ba9s (MCC) DC



Order Code	Volts DC -20°+50°	mA DC	mcd DC	Peak Wave Length nm	Viewing Angle	Colour
SCB10R6DC	6	55	7000	660	30°	Red
SCB10G6DC	6	55	4200	520	45°	Green
SCB10Y6DC	6	55	700	595	30°	Yellow
SCB10B6DC	6	55	1400	463	45°	Blue
SCB10W6DC	6	55	3120	440/550	50°	White
SCB10R12DC	12	30	5200	660	30°	Red
SCB10G12DC	12	30	3000	520	45°	Green
SCB10Y12DC	12	30	550	595	30°	Yellow
SCB10B12DC	12	30	875	463	45°	Blue
SCB10W12DC	12	30	1950	440/550	50°	White
SCB10R28DC	24-28	14	2600	660	30°	Red
SCB10G28DC	24-28	14	2160	520	45°	Green
SCB10Y28DC	24-28	14	350	595	30°	Yellow
SCB10B28DC	24-28	14	630	463	45°	Blue
SCB10W28DC	24-28	14	1020	440/550	50°	White
*SCB10R130DC	110-130	6	N/A	660	30°	Red
*SCB10G130DC	110-130	6	N/A	520	45°	Green
*SCB10Y130DC	110-130	6	N/A	595	30°	Yellow
*SCB10B130DC	110-130	6	N/A	463	45°	Blue
*SCB10W130DC	110-130	6	N/A	440/550	50°	White
*SCB10R235DC	235	3	N/A	660	30°	Red
*SCB10G235DC	235	3	N/A	520	45°	Green
*SCB10Y235DC	235	3	N/A	595	30°	Yellow
*SCB10B235DC	235	3	N/A	463	45°	Blue
*SCB10W235DC	235	3	N/A	440/550	50°	White

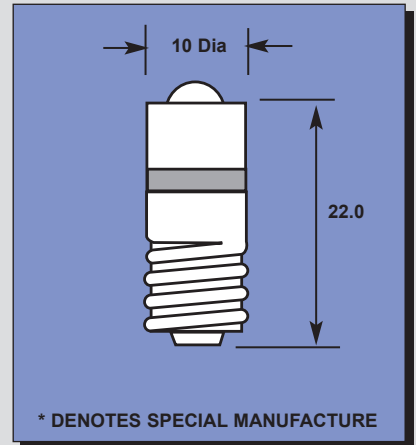
LAMPS SINGLE CHIP - LED TYPE R10 TUBULAR STANDARD 10 x 22mm CAP. Ba9s (MCC) AC/DC



Order Code	Volts AC/DC -20°+50°	mA AC/DC	mcd AC/DC	Peak Wave Length nm	Viewing Angle	Colour
SCB10R6AC/DC	6	55	5250	660	30°	Red
SCB10G6AC/DC	6	55	3150	520	45°	Green
SCB10Y6AC/DC	6	55	525	595	30°	Yellow
SCB10B6AC/DC	6	55	1050	463	45°	Blue
SCB10W6AC/DC	6	55	2340	440/550	50°	White
SCB10R12AC/DC	12	30	3900	660	30°	Red
SCB10G12AC/DC	12	30	2250	520	45°	Green
SCB10Y12AC/DC	12	30	412	595	30°	Yellow
SCB10B12AC/DC	12	30	565	463	45°	Blue
SCB10W12AC/DC	12	30	1462	440/550	50°	White
SCB10R28AC/DC	24-28	14	1950	660	30°	Red
SCB10G28AC/DC	24-28	14	1620	520	45°	Green
SCB10Y28AC/DC	24-28	14	262	595	30°	Yellow
SCB10B28AC/DC	24-28	14	472	463	45°	Blue
SCB10W28AC/DC	24-28	14	765	440/550	50°	White
*SCB10R130AC/DC	110-130	6	656	660	30°	Red
*SCB10G130AC/DC	110-130	6	255	520	45°	Green
*SCB10Y130AC/DC	110-130	6	75	595	30°	Yellow
*SCB10B130AC/DC	110-130	6	131	463	45°	Blue
*SCB10W130AC/DC	110-130	6	292	440/550	50°	White
*SCB10R235AC/DC	235	3	487	660	30°	Red
*SCB10G235AC/DC	235	3	150	520	45°	Green
*SCB10Y235AC/DC	235	3	45	595	30°	Yellow
*SCB10B235AC/DC	235	3	75	463	45°	Blue
*SCB10W235AC/DC	235	3	142	440/550	50°	White

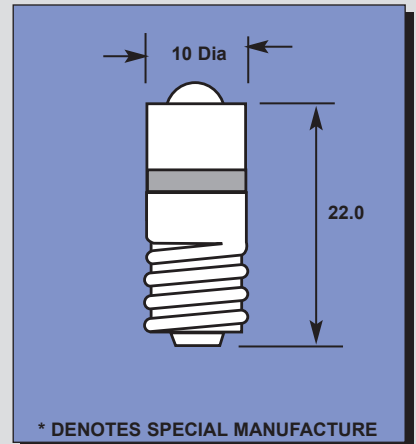
LAMPS SINGLE CHIP - LED TYPE R10 TUBULAR STANDRAD 10 x 22mm CAP. E10 (MES) DC

Order Code	Volts DC -20°+50°	mA DC	mcd DC	Peak Wave Length nm	Viewing Angle	Colour
SCE10R6DC	6	55	7000	660	30°	Red
SCE10G6DC	6	55	4200	520	45°	Green
SCE10Y6DC	6	55	700	595	30°	Yellow
SCE10B6DC	6	55	1400	463	45°	Blue
SCE10W6DC	6	55	3120	440/550	50°	White
SCE10R12DC	12	30	5200	660	30°	Red
SCE10G12DC	12	30	3000	520	45°	Green
SCE10Y12DC	12	30	550	595	30°	Yellow
SCE10B12DC	12	30	875	463	45°	Blue
SCE10W12DC	12	30	1950	440/550	50°	White
SCE10R28DC	24-28	14	2600	660	30°	Red
SCE10G28DC	24-28	14	2160	520	45°	Green
SCE10Y28DC	24-28	14	350	595	30°	Yellow
SCE10B28DC	24-28	14	630	463	45°	Blue
SCE10W28DC	24-28	14	1020	440/550	50°	White
*SCE10R130DC	110-130	6	N/A	660	30°	Red
*SCE10G130DC	110-130	6	N/A	520	45°	Green
*SCE10Y130DC	110-130	6	N/A	595	30°	Yellow
*SCE10B130DC	110-130	6	N/A	463	45°	Blue
*SCE10W130DC	110-130	6	N/A	440/550	50°	White
*SCE10R235DC	235	3	N/A	660	30°	Red
*SCE10G235DC	235	3	N/A	520	45°	Green
*SCE10Y235DC	235	3	N/A	595	30°	Yellow
*SCE10B235DC	235	3	N/A	463	45°	Blue
*SCE10W235DC	235	3	N/A	440/550	50°	White



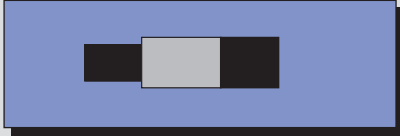
LAMPS SINGLE CHIP - LED TYPE R10 TUBULAR STANDRAD 10 x 22mm CAP. E10 (MES) AC/DC

Order Code	Volts AC/DC -20°+50°	mA AC/DC	mcd AC/DC	Peak Wave Length nm	Viewing Angle	Colour
SCE10R6AC/DC	6	55	5250	660	30°	Red
SCE10G6AC/DC	6	55	3150	520	45°	Green
SCE10Y6AC/DC	6	55	525	595	30°	Yellow
SCE10B6AC/DC	6	55	1050	463	45°	Blue
SCE10W6AC/DC	6	55	2340	440/550	50°	White
SCE10R12AC/DC	12	30	3900	660	30°	Red
SCE10G12AC/DC	12	30	2250	520	45°	Green
SCE10Y12AC/DC	12	30	412	595	30°	Yellow
SCE10B12AC/DC	12	30	656	463	45°	Blue
SCE10W12AC/DC	12	30	1462	440/550	50°	White
SCE10R28AC/DC	24-28	14	1950	660	30°	Red
SCE10G28AC/DC	24-28	14	1620	520	45°	Green
SCE10Y28AC/DC	24-28	14	262	595	30°	Yellow
SCE10B28AC/DC	24-28	14	472	463	45°	Blue
SCE10W28AC/DC	24-28	14	765	440/550	50°	White
*SCE10R130AC/DC	110-130	6	656	660	30°	Red
*SCE10G130AC/DC	110-130	6	255	520	45°	Green
*SCE10Y130AC/DC	110-130	6	75	595	30°	Yellow
*SCE10B130AC/DC	110-130	6	131	463	45°	Blue
*SCE10W130AC/DC	110-130	6	292	440/550	50°	White
*SCE10R235AC/DC	235	3	487	660	30°	Red
*SCE10G235AC/DC	235	3	150	520	45°	Green
*SCE10Y235AC/DC	235	3	45	595	30°	Yellow
*SCE10B235AC/DC	235	3	75	463	45°	Blue
*SCE10W235AC/DC	235	3	142	440/550	50°	White

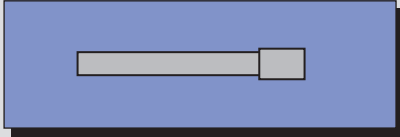


LAMP EXTRACTORS

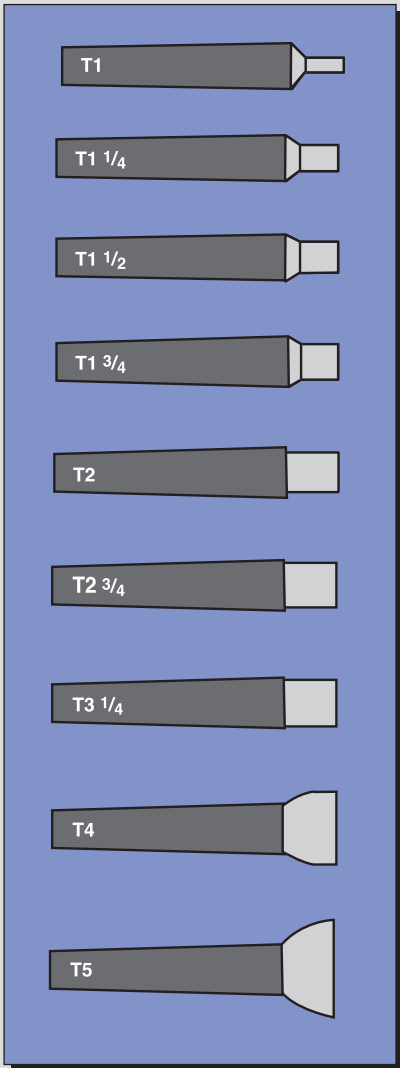
LAMP EXTRACTORS FOR MINIATURE LAMPS



Order Code	Size	Base
EL5000	12 & 14mm	R1334 & R14



Order Code	Size	Base
ES 50512	4 & 5mm	T4.6 & T5.5



Order Code	Size	Base
EXT1	3.17mm	T1
EXT114	4.12mm	T1 1/4
EXT112	5.10mm	T1 1/2
EXT134	5.70mm	T1 3/4
EXT2	6.60mm	T2
EXT234	8.50mm	T2 3/4
EXT314	10.00mm	T3 1/4
EXT4	13.00mm	T4
EXT5	15.00mm	T5
EXSET	Combination of all 9 lamp extractors	

